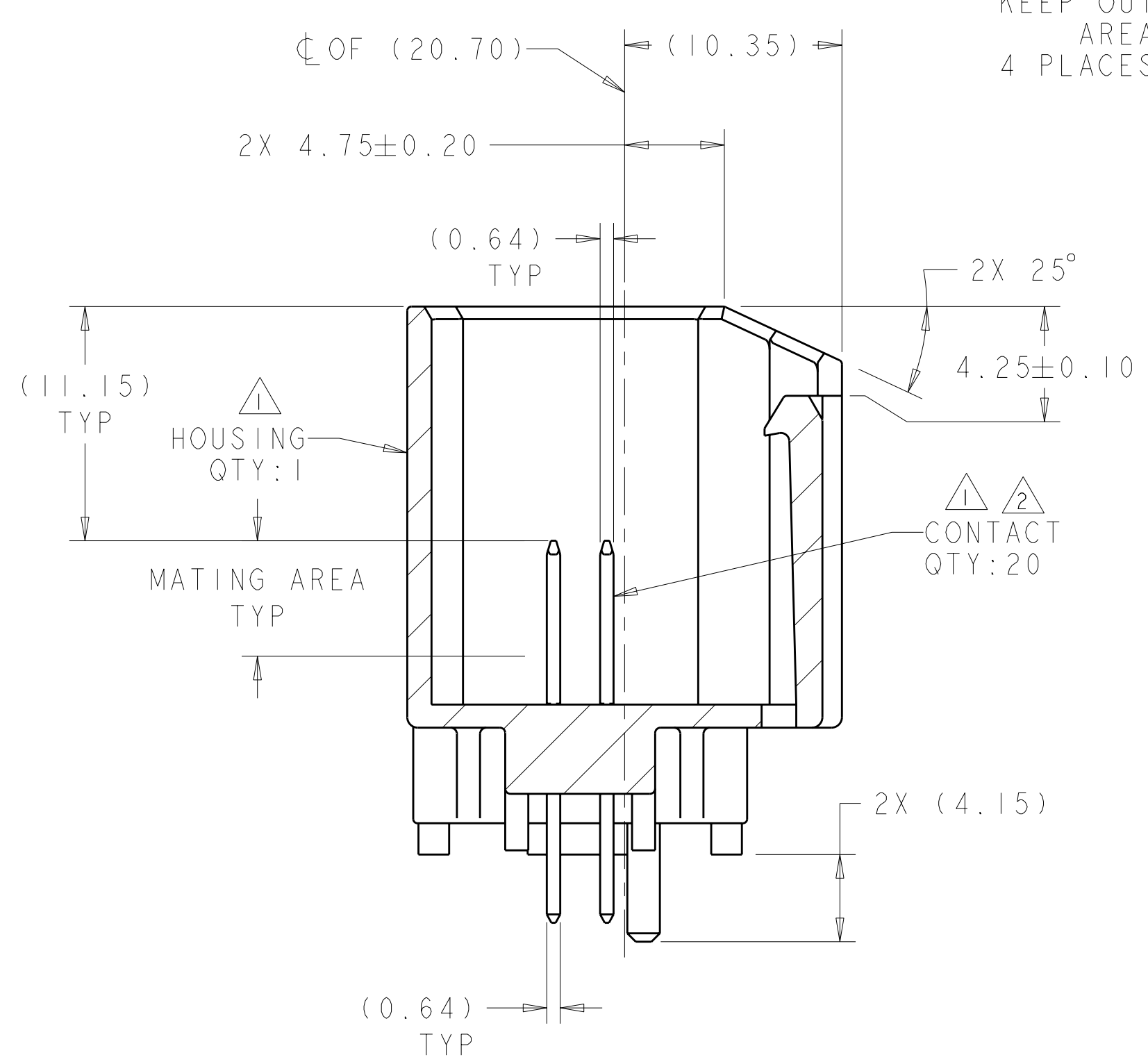
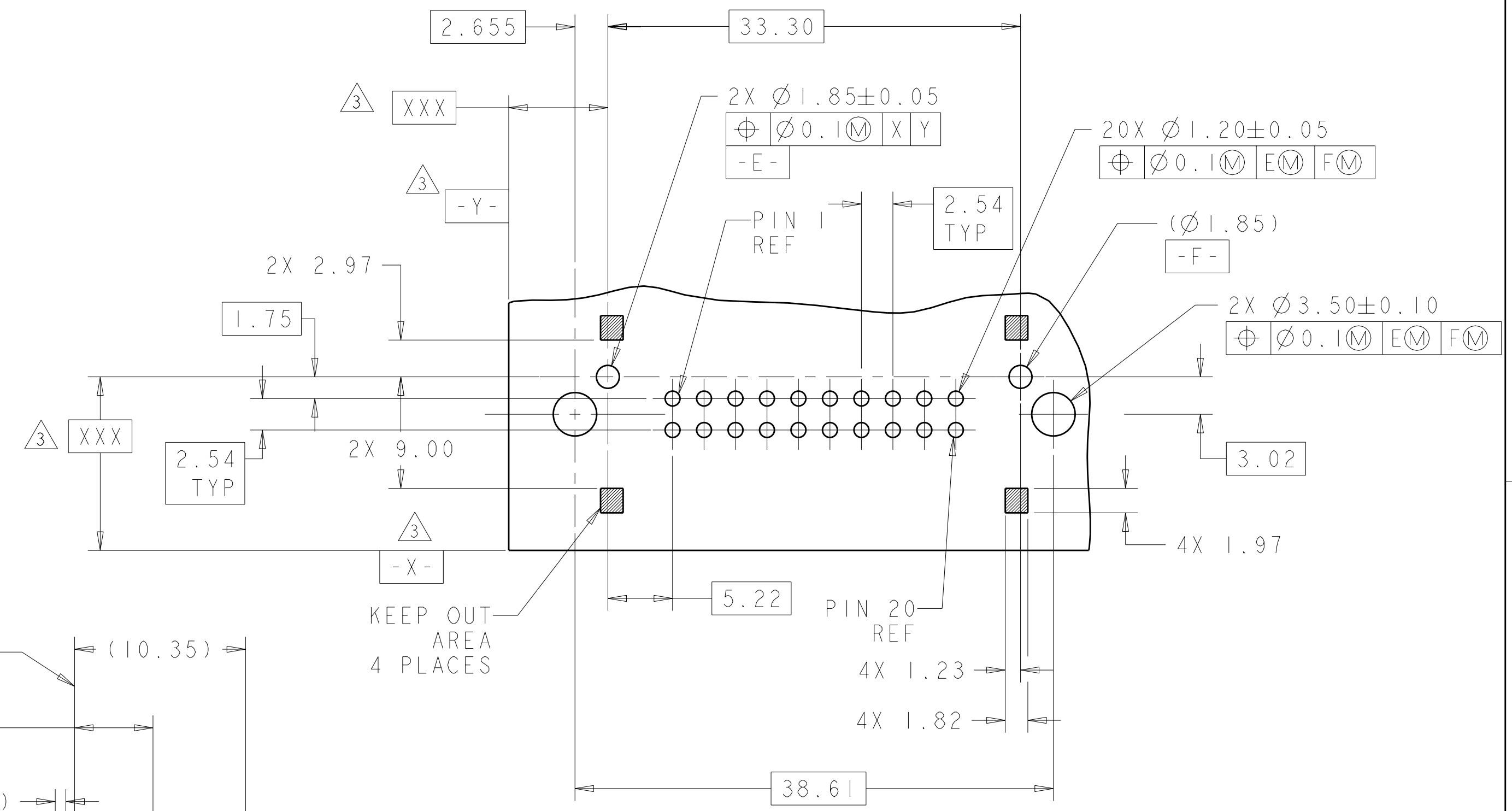
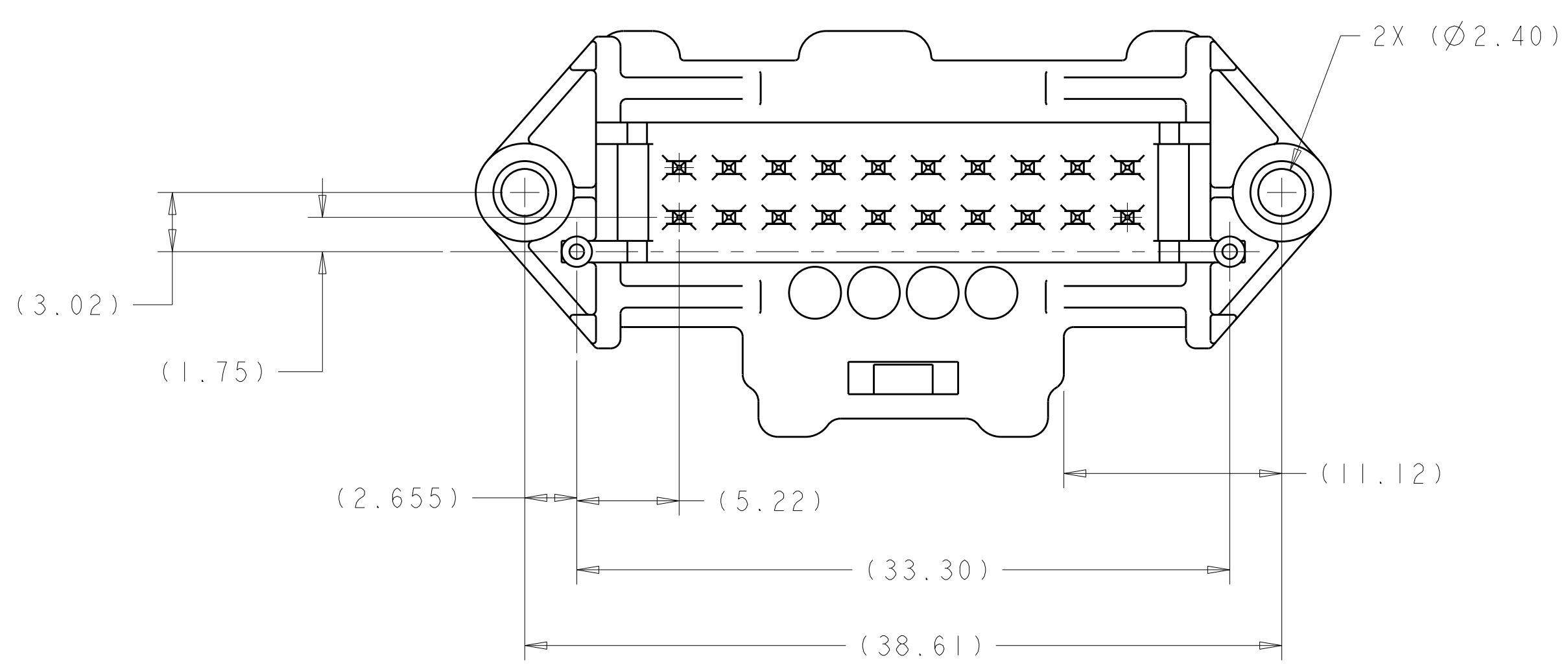
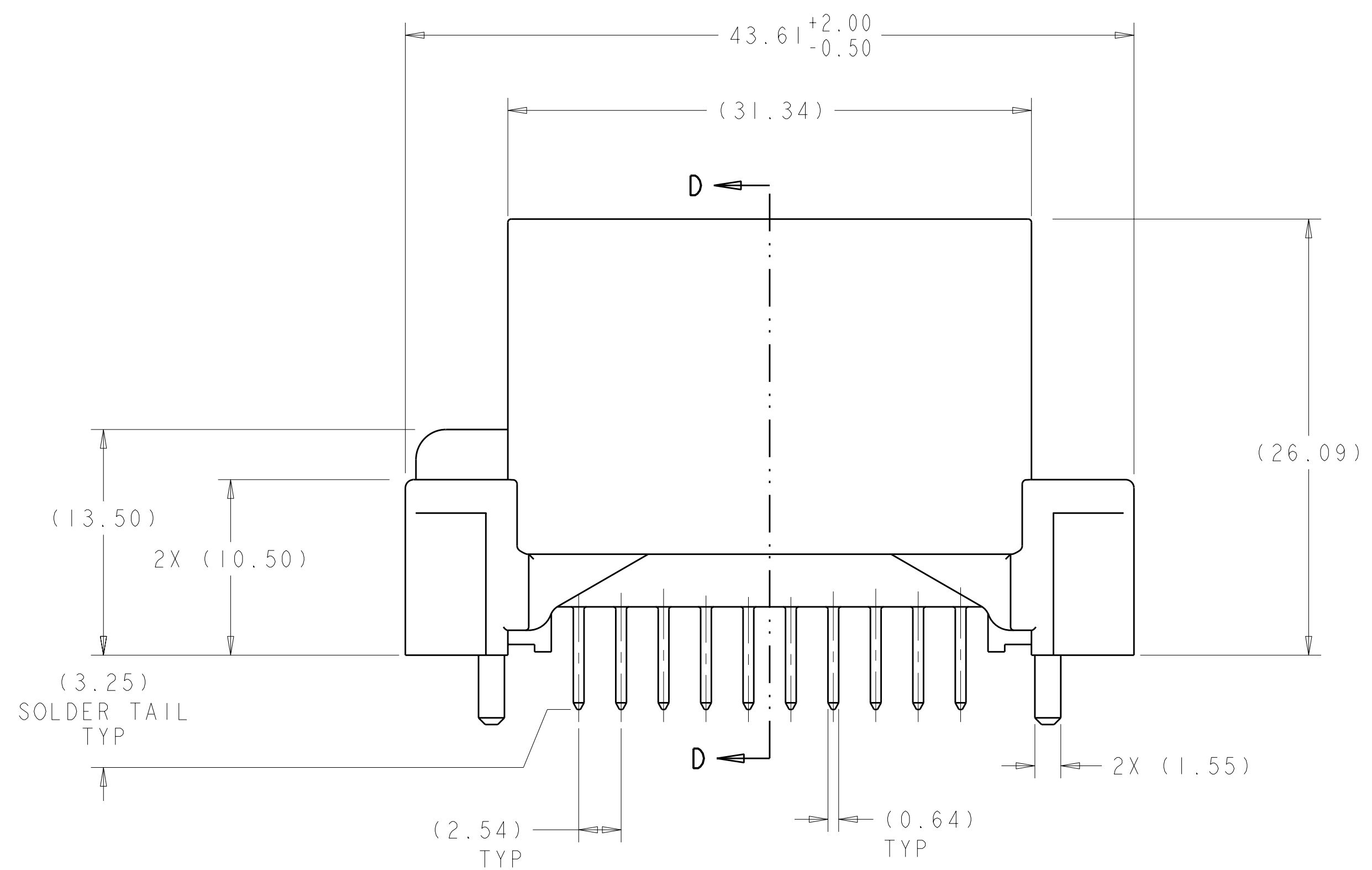
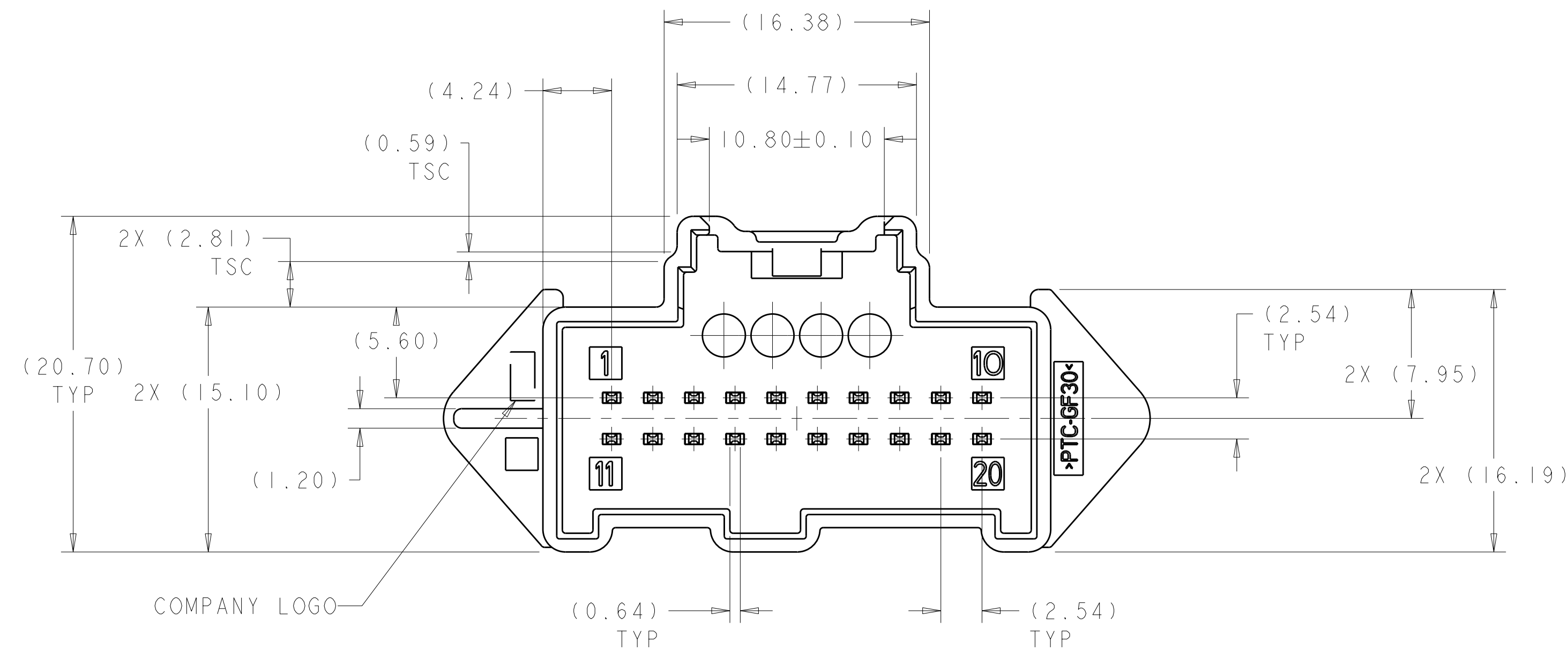


LOC	DIST	REVISIONS			
IN	00	REV	DATE	BY	APPV
		A	REV/REL PER ECR-07-011199	11MAY2007	HM DF
		A1	REV PER ECR-10-011823	31MAY2010	VSS CS



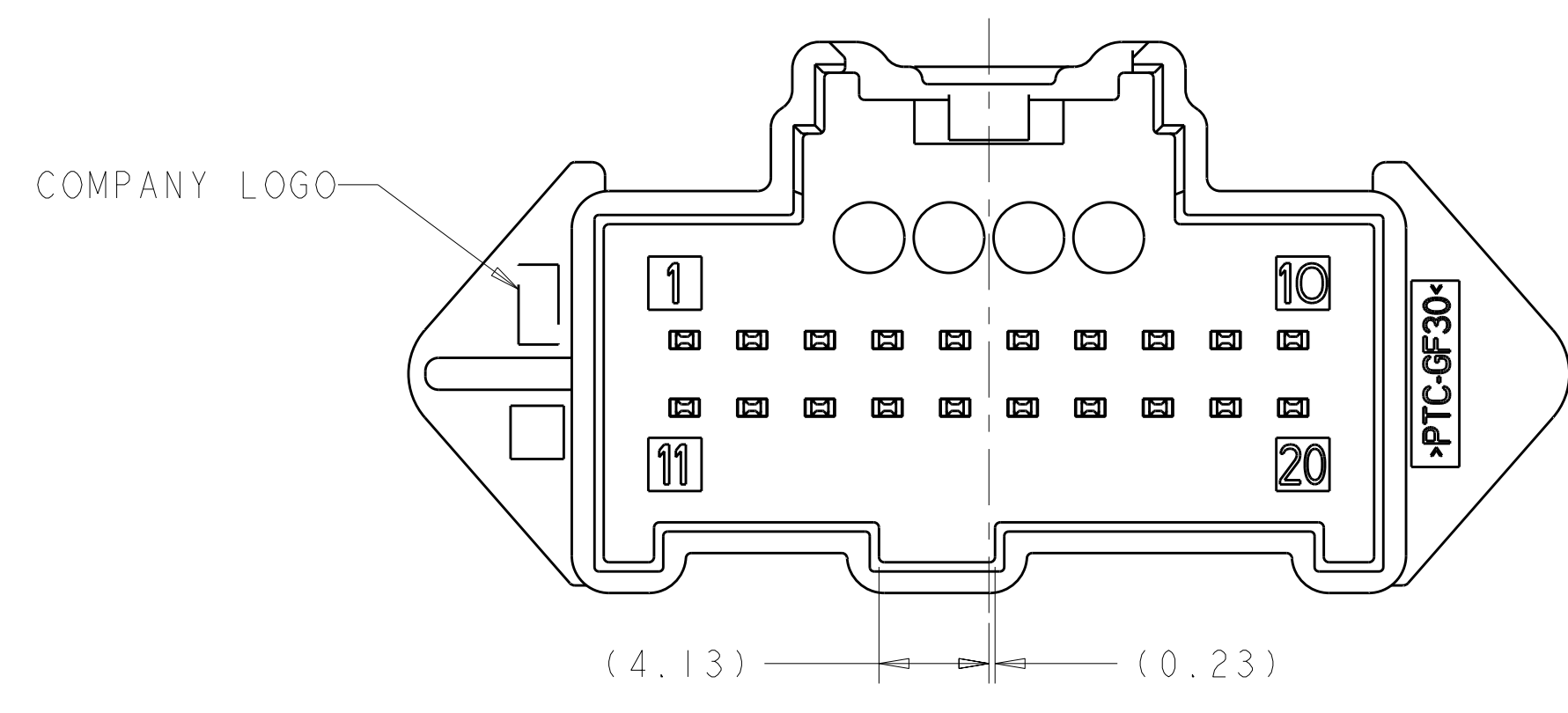
SECTION D-D

- ① HOUSING: PCT, COLOR - BLACK  
CONTACTS: COPPER ALLOY
- ② CONTACT: 1.5µm MIN TIN IN MATING AREA AND 2.5µm MIN TIN IN SOLDER TAIL ALL OVER 2.00µm MIN NICKEL
- ③ DATUMS AND BASIC DIMENSIONS ESTABLISHED BY THE CUSTOMER
- ④ THIS PRODUCT HAS NOT COMPLETED VALIDATION TESTING
- ⑤ PRELIMINARY - NOT FOR PRODUCTION

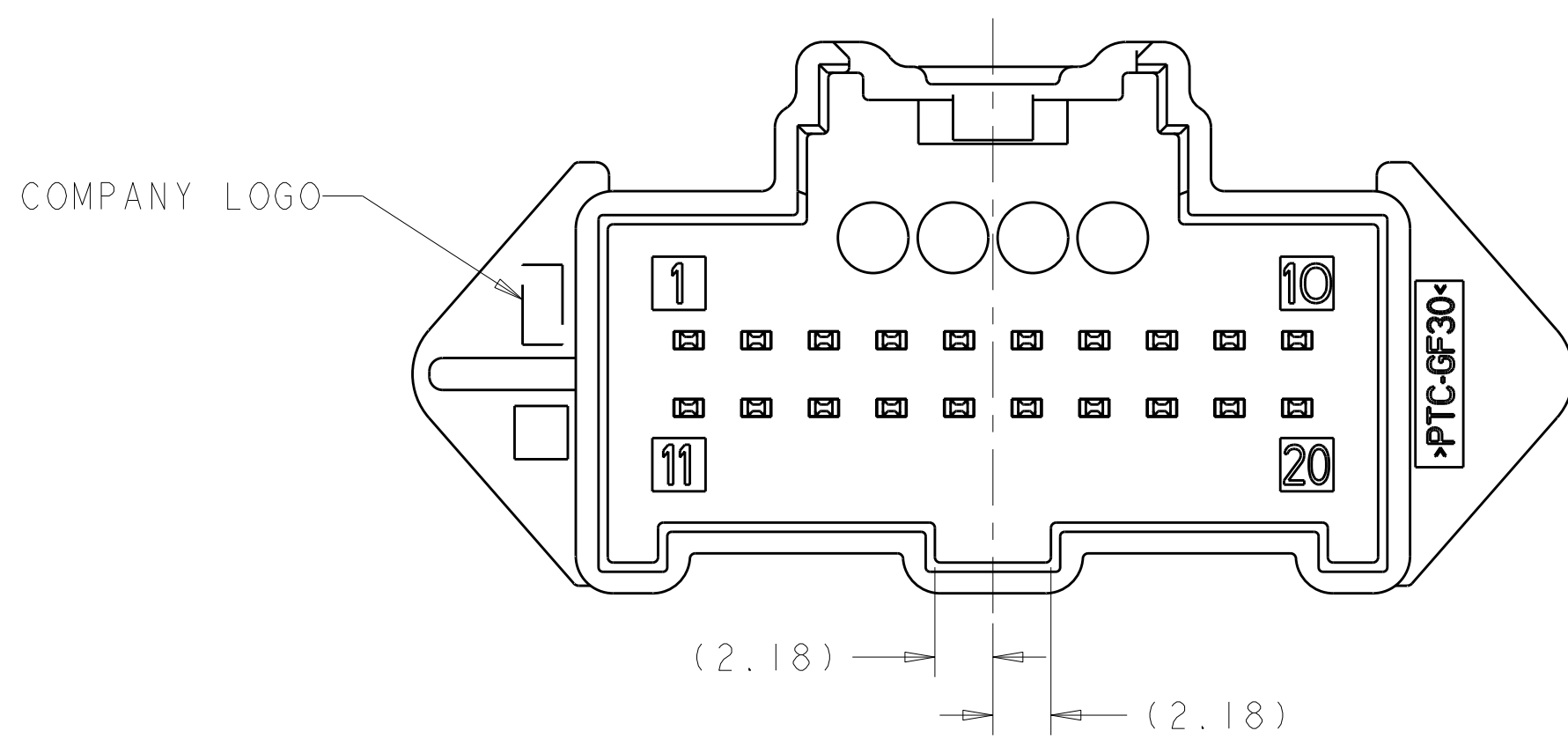
KEYING CODE	PART NUMBER
④ ⑤	1438988-6
④ ⑤	1438988-5
④ ⑤	1438988-4
④ ⑤	1438988-3
④ ⑤	1438988-2
④ ⑤	1438988-1

DIMENSIONS: mm TOLERANCES UNLESS OTHERWISE SPECIFIED: 9 PLC ± 5 PLC ± 4 PLC ± ANGLES ±		DWN: 14FEB2005 CHK: 15MAR2005 D: EBY APV: 15MAR2005 NAME:		Tyco Electronics Harrisburg, PA 17105-3608	
MATERIAL:  FINISH:		PRODUCT SPEC:		APPLICATION SPEC:	
WEIGHT:		SIZE: CAGE CODE: DRAWING NO:		RESTRICTED TO:	
CUSTOMER DRAWING		SCALE: 3:1 SHEET 1 OF 2 REV A1		A100779C=1438988	

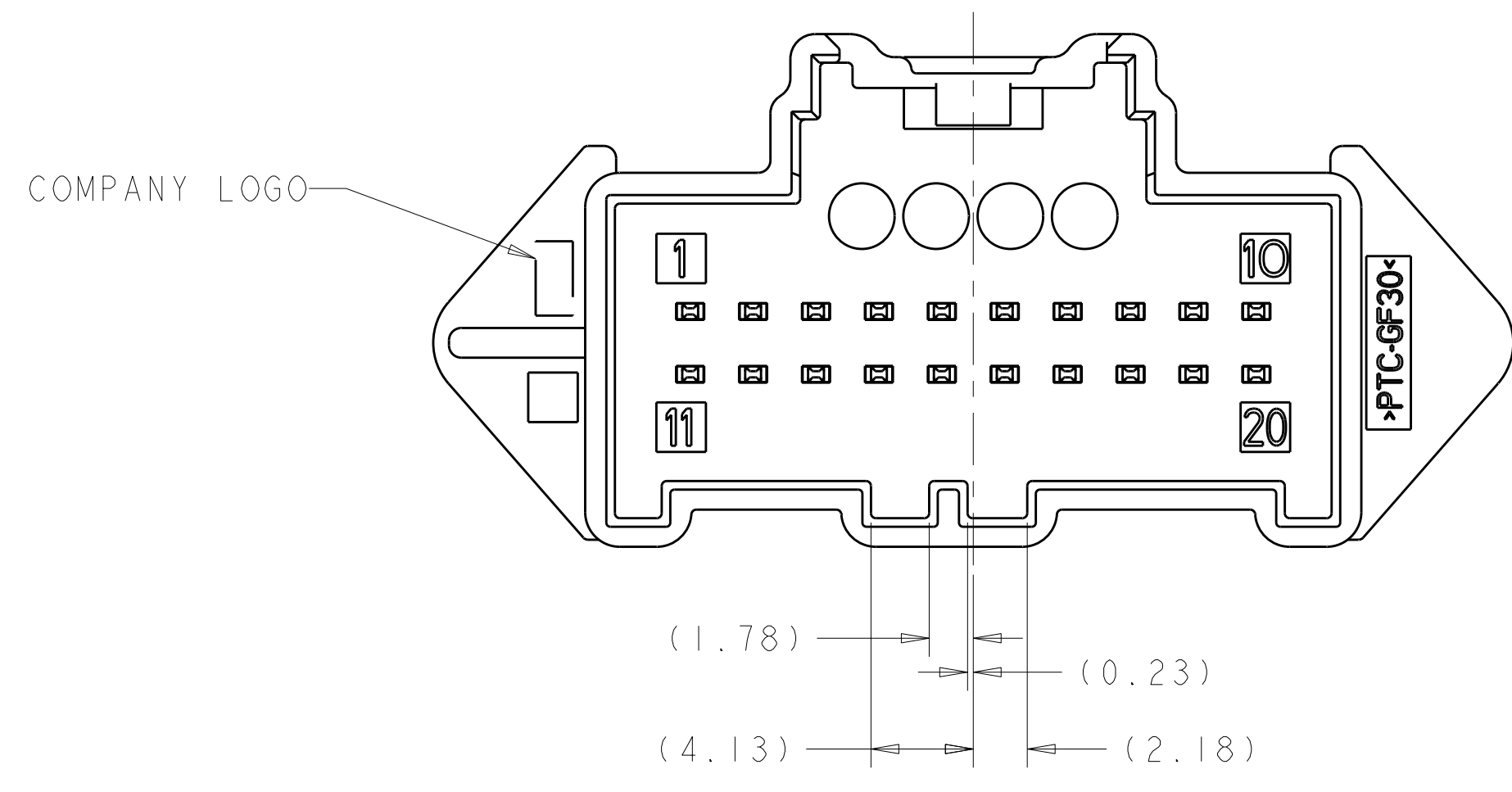
LOC	DIST	REV	DATE	BY	APPD
1N	00				
DESCRIPTION			DATE	DWN	APPD
SEE SHEET 1					



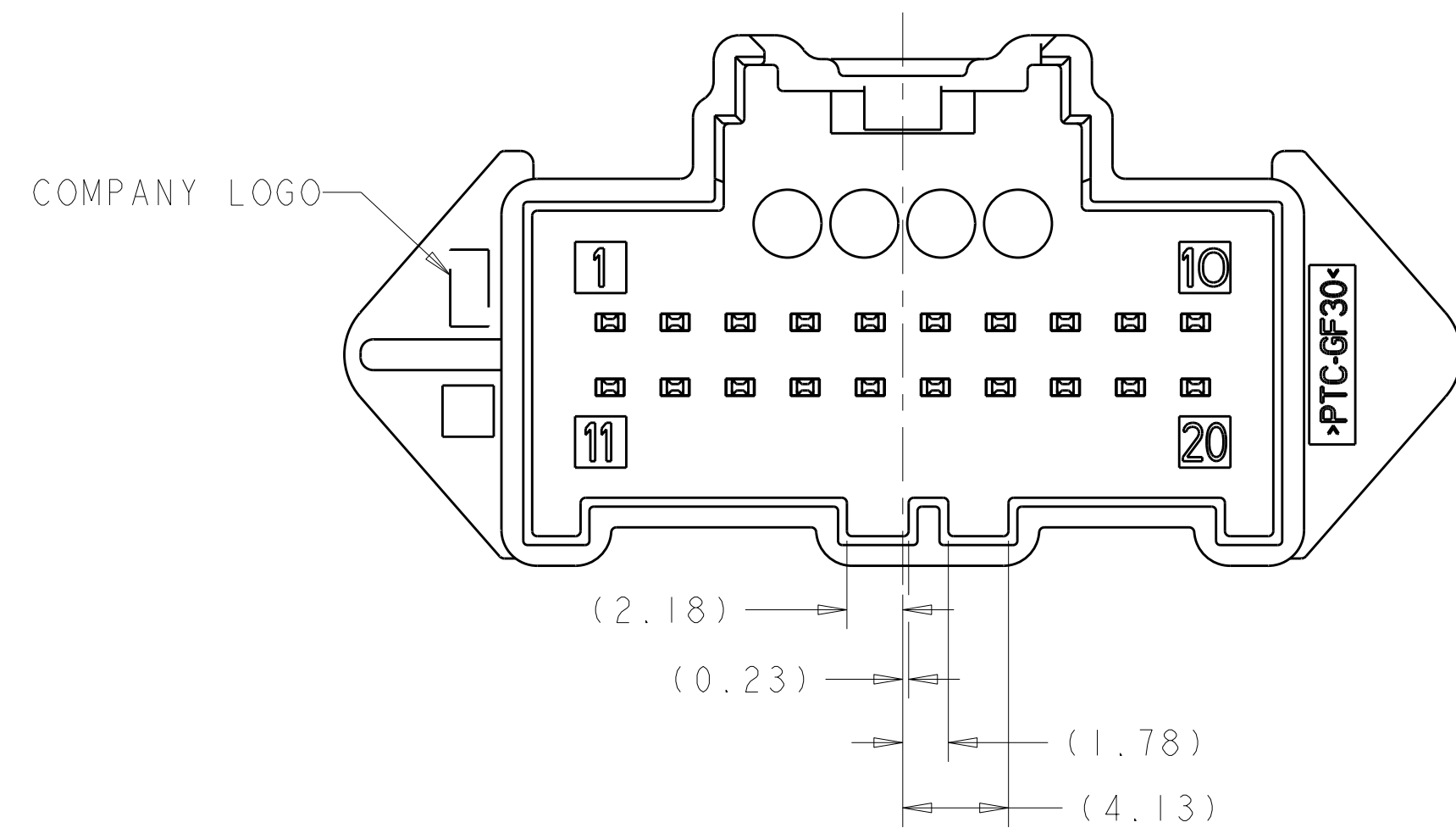
KEYING CODE "A"  
SCALE 4:1



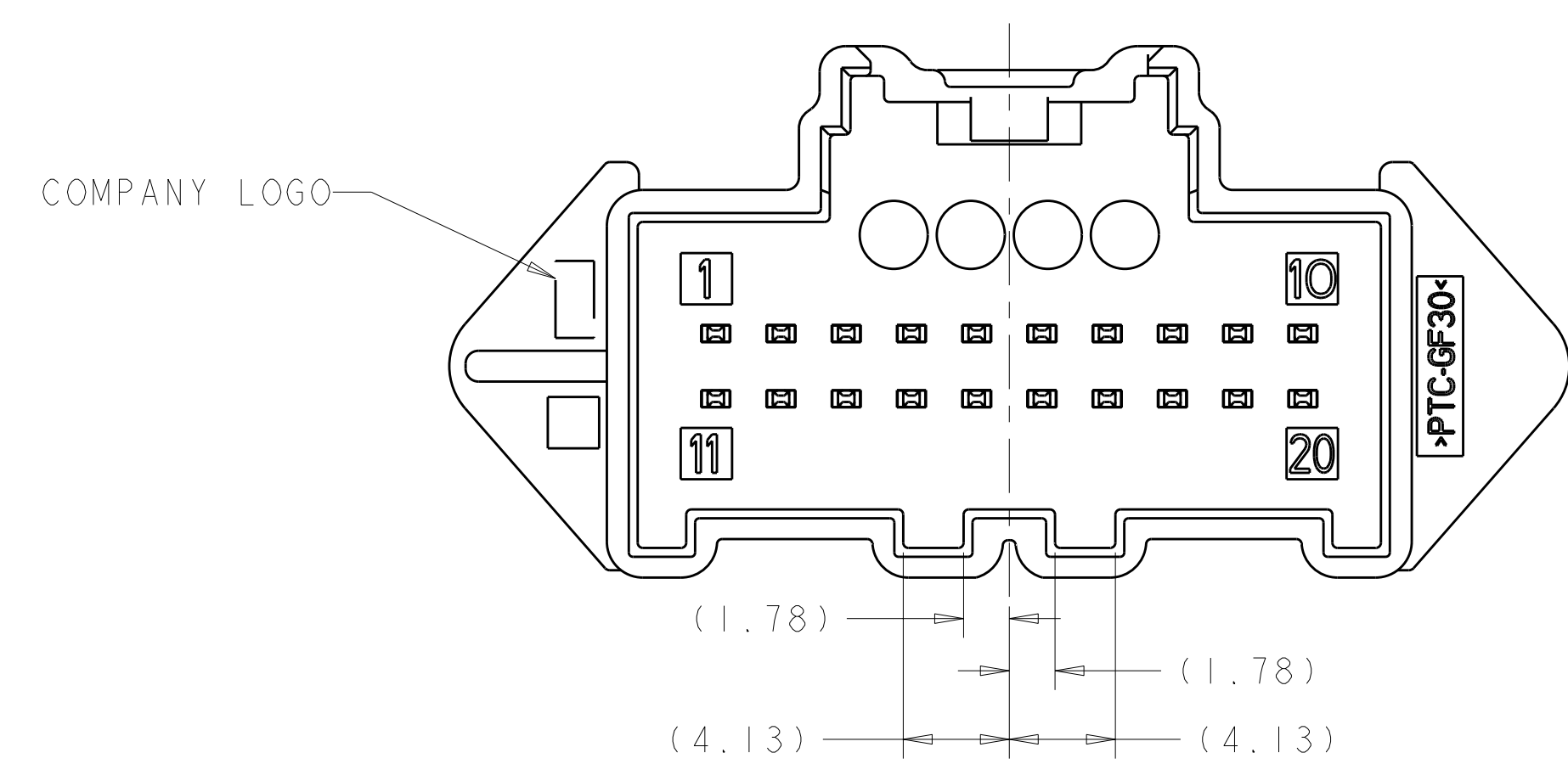
KEYING CODE "B"  
SCALE 4:1



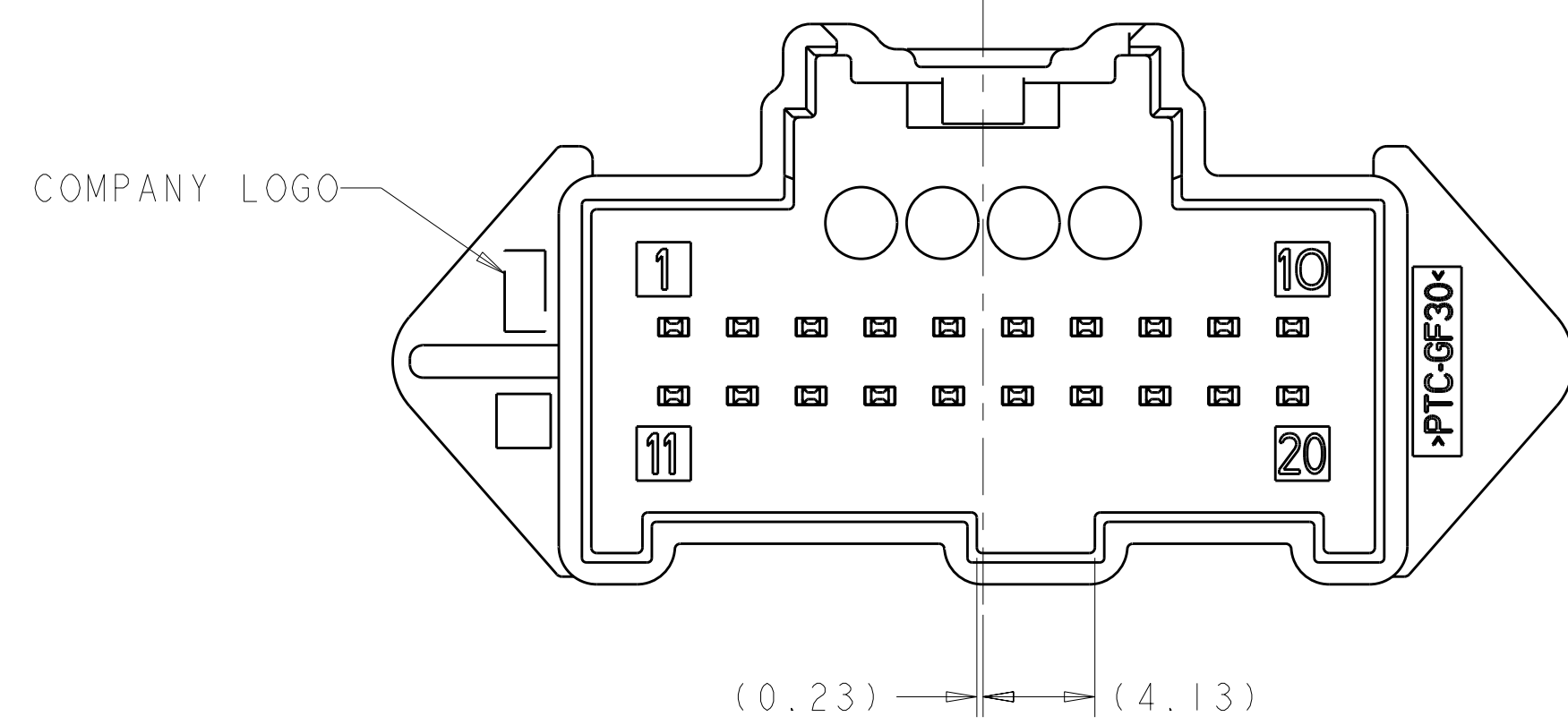
KEYING CODE "C"  
SCALE 4:1



KEYING CODE "D"  
SCALE 4:1



KEYING CODE "E"  
SCALE 4:1



KEYING CODE "F"  
SCALE 4:1

<small>THIS DRAWING IS UNPUBLISHED. RELEASED FOR PUBLICATION. IT IS SUBJECT TO CHANGE WITHOUT NOTICE AND WITHOUT OBLIGATION. SHOULD BE CONTACTED FOR THE LATEST REVISION.</small>		DWN H. MOLL 14FEB2005 CHK D. FRY 15MAR2005 APVD D. FRY 15MAR2005	Tyco Electronics Harrisburg, PA 17105-3608
DIMENSIONS: mm 	TOLERANCES UNLESS OTHERWISE SPECIFIED: 0 PLC ± 1 PLC ± 2 PLC ± 3 PLC ± 4 PLC ± ANGLES ± FINISH ±	NAME PRODUCT SPEC APPLICATION SPEC WEIGHT CUSTOMER DRAWING	HEADER ASSY, 2x10, UNSEALED, VERTICAL, THRU-HOLE, USCAR SIZE CAGE CODE DRAWING NO RESTRICTED TO A100779C=1438988 SCALE 3:1 SHEET 2 OF 2 REV A1