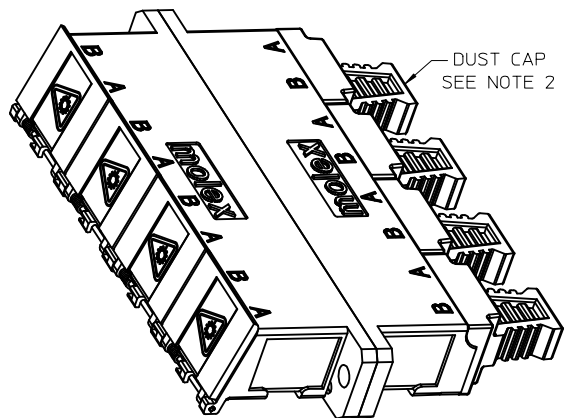
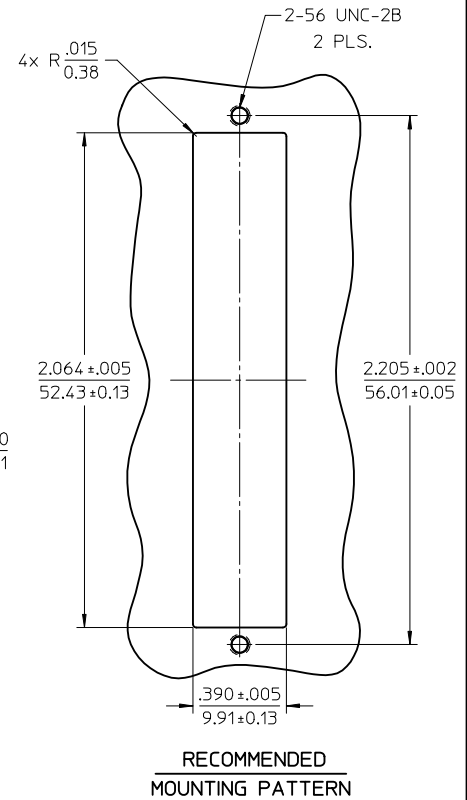
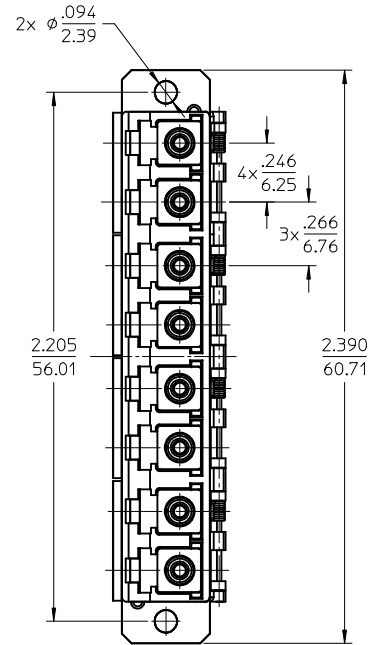
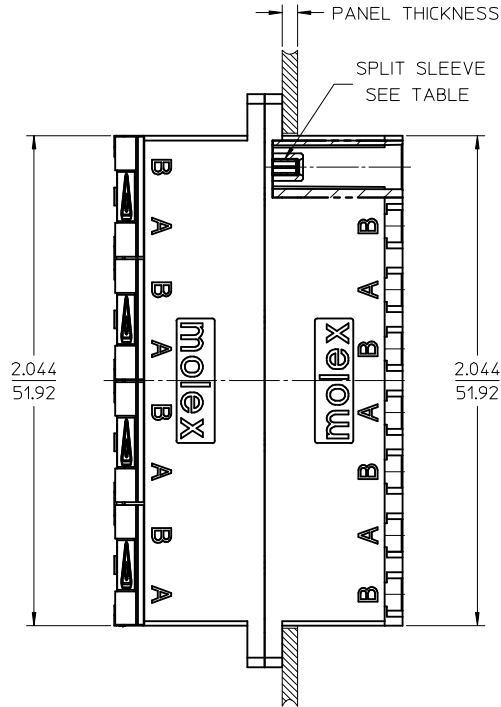
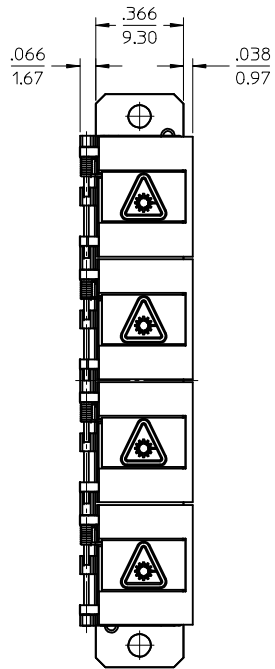
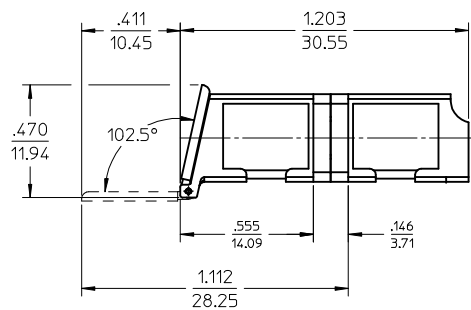


LC 8 PORT ADAPTER P/N	LC 8 PORT ADAPTER COLOR	SPLIT SLEEVE MATERIAL
106121-0100	BLUE	CERAMIC
106121-0101	GREEN	
106121-0102	BEIGE	PHOSPHOR BRONZE
106121-0103	AQUA	



ISO VIEW



- NOTES:
 1. ALL DIMENSIONS ARE FOR REFERENCE.
 2. DUST CAPS SHOWN IN ISO VIEW ONLY.

ENTER DESCRIPTION EC NO: MF2015-0403 DRWNSDXIE 2015/06/11 CHKD: APPR:WCHEN 2015/09/25	QUALITY SYMBOLS ▽=0 ▽=0 ▽=0	GENERAL TOLERANCES (UNLESS SPECIFIED)		DIMENSION STYLE IN/MM	SCALE 2.5:1	DESIGN UNITS INCH	THIRD ANGLE PROJECTION	
		4 PLACES ± --- ± ---	3 PLACES ± --- ± ---	2 PLACES ± --- ± ---	1 PLACE ± --- ± ---	0 PLACE ± ±	DRAWN BY YBELENKIY	DATE 2011/08/18
DRAFT WHERE APPLICABLE MUST REMAIN WITHIN DIMENSIONS	ANGULAR ± --- °	DRAWN BY YBELENKIY		DATE 2011/08/18	APPROVED BY WCHEN			DATE 2012/02/06
		MATERIAL NO. SEE TABLE		DOCUMENT NO. SD-106121-0100	SHEET NO. 1 OF 1			
THIS DRAWING CONTAINS INFORMATION THAT IS PROPRIETARY TO MOLEX INCORPORATED AND SHOULD NOT BE USED WITHOUT WRITTEN PERMISSION								