

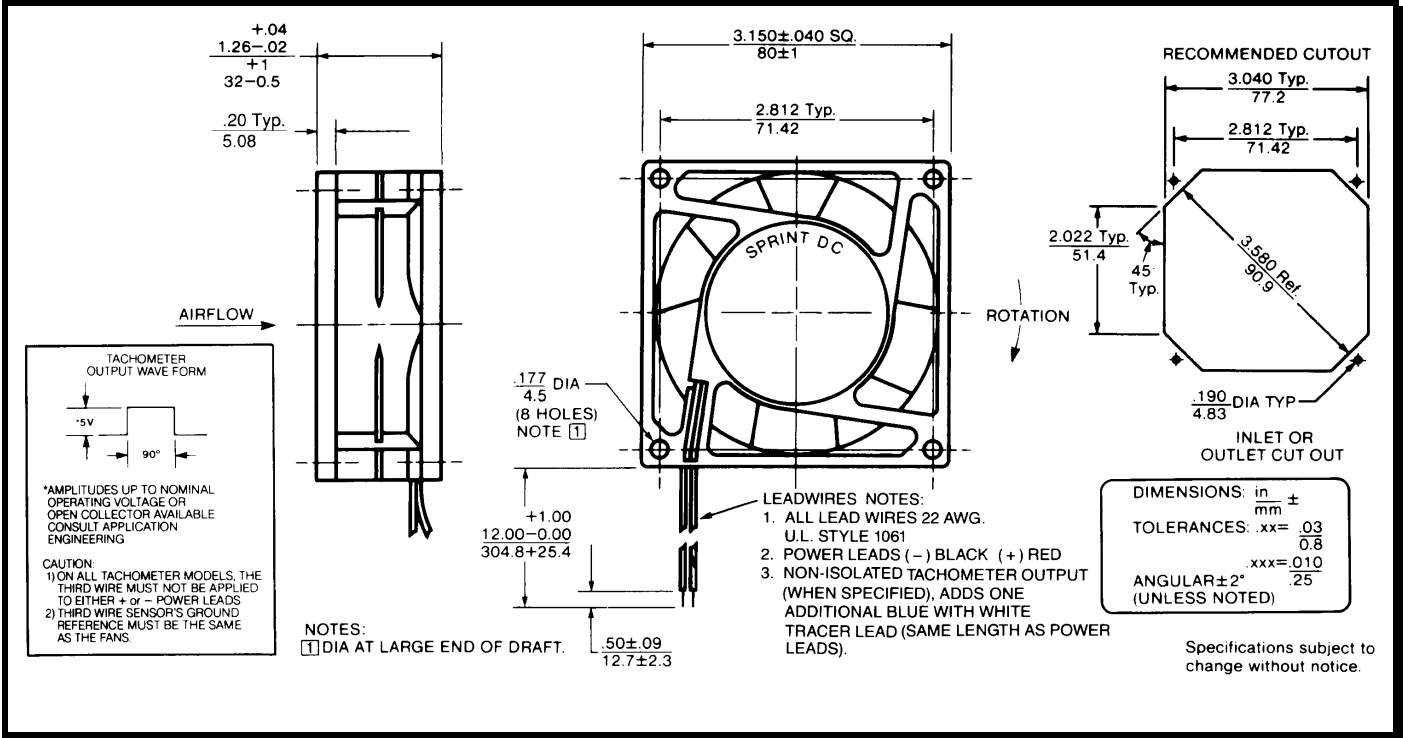
# SPECIFICATIONS



**Model Number:** ST12K7  
**Part Number:** 19031530A

May 16, 2002

## Mechanical Drawing:



### Motor:

Nominal Voltage	= 12 vdc
Operating Voltage Range	= 6 - 14 vdc
Nominal Running Current	= 0.380 amps
Max. Locked Rotor Current	= 1.250 amps
Running Power	= 4.6 watts
Average Speed	= 4200 RPM
Bearings	= Ball
Air Flow	= 40.0 CFM
Noise Level	= 44.2 dB(A)

### Construction:

Venturi: Plastic, Black, UL 94V-0  
 Propeller: Plastic, Black, UL 94V-0

### Agency Approvals:

UL, CE

### Life Expectancy:

This fan is designed for continuous duty life of 78,000 hours at 40°C.

### Additional Features:

Brushless DC Motor  
 Locked Rotor Protection  
 Polarity Protected  
 Automatic Restart Capability  
 Operating Temperature: -10°C to 70°C  
 Storage Temperature: -40°C to 85°C

### Tachometer

Output: 5V TTL compatible  
 I<sub>c</sub>: 5 mA Typical  
 Pulses per Revolution: 2  
 Isolated: No

### Termination:

12" Lead wires, 22 AWG, UL 1061  
 Red = Power (+)  
 Black = Return (-)  
 Blue/White = Tachometer (Output)