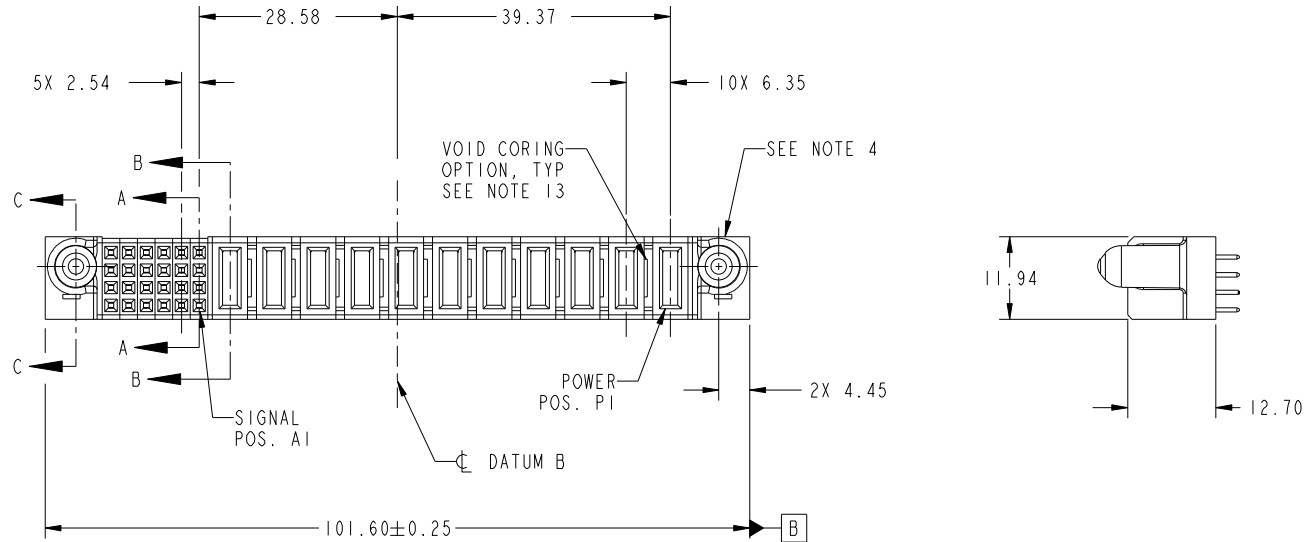


Tous droits strictement réservés. Reproduction ou communication a des tiers interdite sous quelque forme que ce soit sans autorisation écrite du propriétaire. Propriété de c FCI. Droits de reproduction FCI.



All rights strictly reserved. Reproduction or issue to third parties in any form whatever is not permitted without written authority from the proprietor. Property of FCI. Copyright FCI.

PRODUCT NO.	ROWS	SIGNAL					POWER										E1					
		E2	6	5	4	3	2	1	P11	P10	P9	P8	P7	P6	P5	P4		P3	P2	P1		
51752-024-- NOTE: 3	D C B A		E	E	E	E	E	E	E	E	E	E	E	E	E	E	E	E	E	E	E	



CODE	DIM "M" MATING LENGTH	CONTACT TYPE
E	[N/A]	SIGNAL
PD	[2.34]	POWER
PA	[1.07]	POWER

mat'l code				SEE NOTES 2		tolerances unless otherwise specified		CUSTOMER		 www.fciconnect.com	
ltr	ecn no.	dr	date	linear	0.X ±0.5	projection		COPY		title	
A	DG08-0225	SH	08/19/08	angles	0.XX ±0.25			MIM		IIP + 24S VERTICAL SOLDER RECEPT	
				dr	0.XXX ±0.1	scale		product family		code	
				enr	0° ±2°	1:1		PwrBlade		213	
				chr	Sincere He 08/21/07			size		sheet	
				appd	Sincere He 08/21/07			A		1 of 4	
					Gary Hsieh 08/21/07			dwg no		51752-024	
					Joseph Hsia 08/21/07			cage code		22526	
sheet index	revision sheet	A	A	A	A						
		1	2	3	4						

1 | 2

Pro/E

3 |

cage code 22526

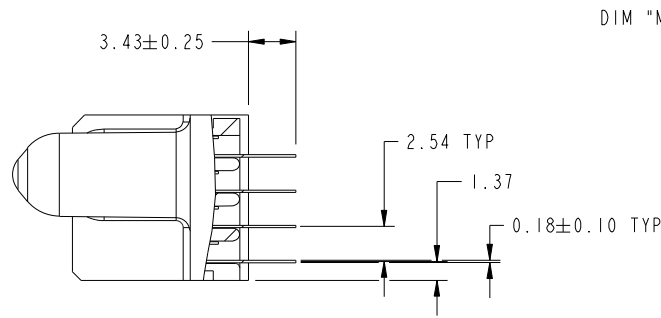
4

Tous droits strictement reserves. Reproduction ou communication a des tiers interdite sous quelque forme que ce soit sans autorisation écrite du propriétaire. Propriete de c FCI. Droits de reproduction FCI.

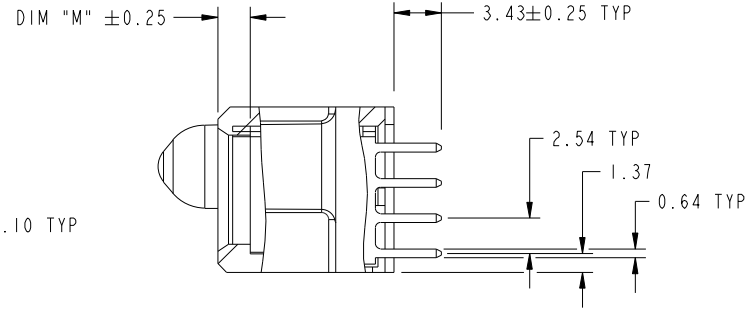
All rights strictly reserved. Reproduction or issue to third parties in any form whatever is not permitted without written authority from the proprietor. Property of FCI. Copyright FCI.



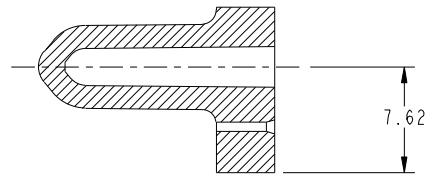
PRODUCT NUMBER
51752-024--
NOTE: 3



SECTION A-A
SCALE 2:1



SECTION B-B
SCALE 2:1



SECTION C-C
SCALE 2:1

mat'l code				SEE NOTE 2		tolerances unless otherwise specified		CUSTOMER		FCI	
ltr	ecr no.	dr	date	linear	0.X ±0.5	projection		COPY		www.fciconnect.com	
A					0.XX ±0.25	MIM		title		IIP + 24S	
				angles	0.XXX ±0.1	1:1		product family		PwrBlade	
				dr	Sincere He 08/21/07	scale		size		code	
				enr	Sincere He 08/21/07	1:1		dwg no		213	
				chr	Gary Hsieh 08/21/07			A		sheet	
				appd	Joseph Hsia 08/21/07			51752-024		2 of 4	
sheet index		revision sheet									

cage code 22526

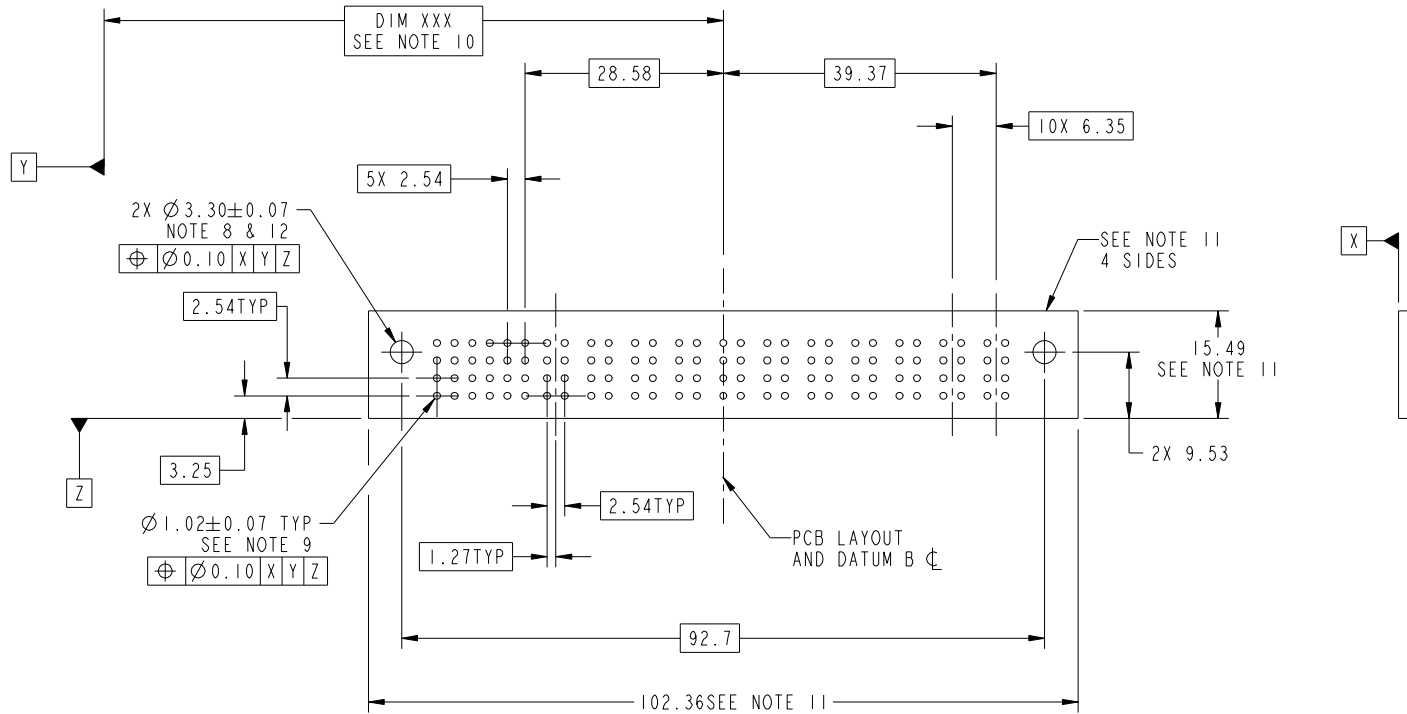
Pro/E

Tous droits strictement reserves. Reproduction ou communication a des tiers interdite sous quelque forme que ce soit sans autorisation écrite du propriétaire. Propriete de c FCI. Droits de reproduction FCI.



All rights strictly reserved. Reproduction or issue to third parties in any form whatever is not permitted without written authority from the proprietor. Property of FCI. Copyright FCI.

PRODUCT NUMBER
51752-024__
NOTE: 3



mat'l code				SEE NOTE 2		tolerances unless otherwise specified		CUSTOMER		FCI	
ltr	ecr no.	dr	date	linear	0.X ±0.5	COPY		www.fciconnect.com		title	
A					0.XX ±0.25	projection		IIP + 24S		VERTICAL SOLDER RECEIPT	
				angles	0.XXX ±0.1	MIM		product family		PwrBlade	code
				dr	Sincere He 08/21/07	scale		size		dwg no	213
				enr	Sincere He 08/21/07	1:1		A		51752-024	sheet
				chr	Gary Hsieh 08/21/07						3 of 4
				appd	Joseph Hsia 08/21/07						
sheet index	revision sheet										

cage code 22526

Pro/E

Tous droits strictement reserves. Reproduction ou communication a des tiers interdite sous quelque forme que ce soit sans autorisation ecrite du proprietaire. Propriete de c FCI. Droits de reproduction FCI.



All rights strictly reserved. Reproduction or issue to third parties in any form whatever is not permitted without written authority from the proprietor. Property of FCI. Copyright FCI.

PRODUCT NUMBER
51752-024__
NOTE: 3

NOTES:

1. DIMENSIONS AND TOLERANCES ARE IN ACCORDANCE WITH ASME Y14.5M, 1994 UNLESS OTHERWISE SPECIFIED.

CONNECTOR NOTES:

- ② HOUSING MATERIAL: UL 94 V-0 GLASS FILLED HIGH-TEMP THERMOPLASTIC
POWER CONTACT MATERIAL: COPPER ALLOY
SIGNAL PIN MATERIAL: COPPER ALLOY
- 3. PLATING:
SEE PRINT 10064183 FOR PLATING SPEC OF 51752-024; 51752-024LF

④ MANUFACTURER'S NAME, P/N AND DATE CODE TO APPEAR ON THIS SURFACE.

5. PRODUCT SPECIFICATION GS-12-149.
APPLICATION SPECIFICATION BUS-20-067.

6. PACKAGED IN TRAYS.

PCB NOTES:

7. ALL HOLE DIAMETERS ARE FINISHED HOLE SIZE.

⑧ MOUNTING HOLES, WHERE APPLICABLE, ARE UNPLATED.

⑨ $\varnothing 1.151 \pm 0.025$ DRILLED HOLES PLATED WITH
0.008 MIN SnPb OR Sn OVER 0.03
TO 0.08 Cu PLATING TO ACHIEVE
 $\varnothing 1.02 \pm .07$ HOLE.

⑩ "DIM XXX" TO BE DETERMINED BY THE CUSTOMER.

⑪ CONNECTOR KEEP-OUT ZONE.

⑫ RECOMMENDED RETENTION TO PCB
 $\varnothing 3.30$ THRU HOLE FOR #5 SOCKET HEAD CAP SCREW MAX. HEAD 5.21
RECOMMENDED SCREW LENGTH 11.99 + PCB THICKNESS.
RECOMMENDED SCREW SEATING TO PCB TORQUE: 2300-5760 gf-cm.

13. THE VOID CORING IN BETWEEN POWER MODULES, SIGNAL MODULES AND END MODULES ARE OPTIONAL AND THE SHAPE MAY BE DIFFERENT FOR OPTIMIZING THE MOLDING PROCESS. THE VOID CORING WILL NOT EFFECT TO PRODUCT FUNCTION.

mat'l code				SEE NOTE 2		tolerances unless otherwise specified		CUSTOMER		FCI		www.fciconnect.com		
ltr	ecn no.	dr	date	linear	0.X ± 0.5		COPY		projection	title			IIP + 24S VERTICAL SOLDER RECEIPT	
A					0.XX ± 0.25		MIM			product family				code
					0.XXX ± 0.1		← MIM →			PwrBlade				213
				angles	0° ± 2°		scale		size			sheet		
				dr	Sincere He	08/21/07	1:1		dwg no			4 of 4		
				enr	Sincere He	08/21/07	A		51752-024					
				chr	Gary Hsieh	08/21/07								
				appd	Joseph Hsia	08/21/07								
sheet index	revision sheet													

cage code 22526

Pro/E