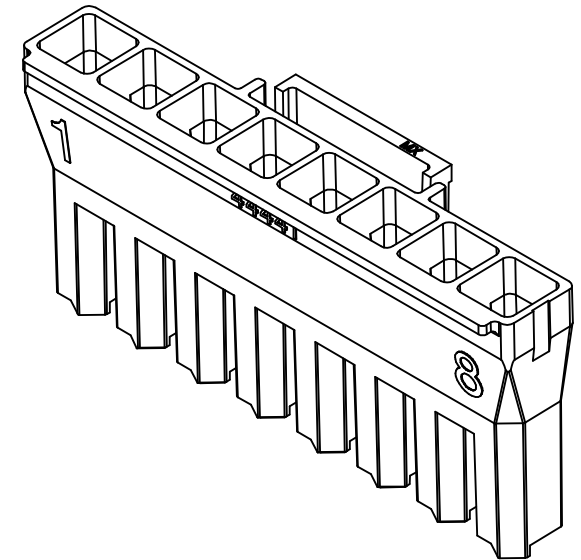
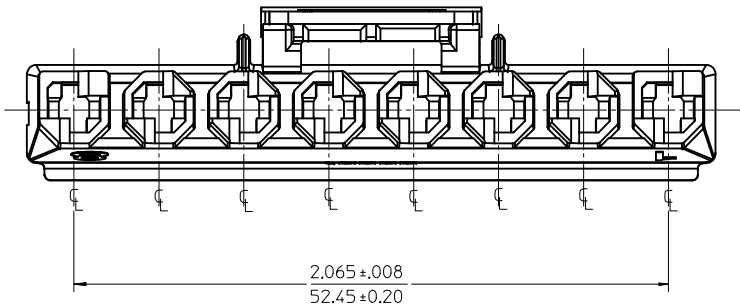
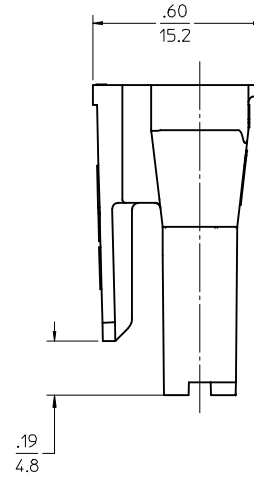
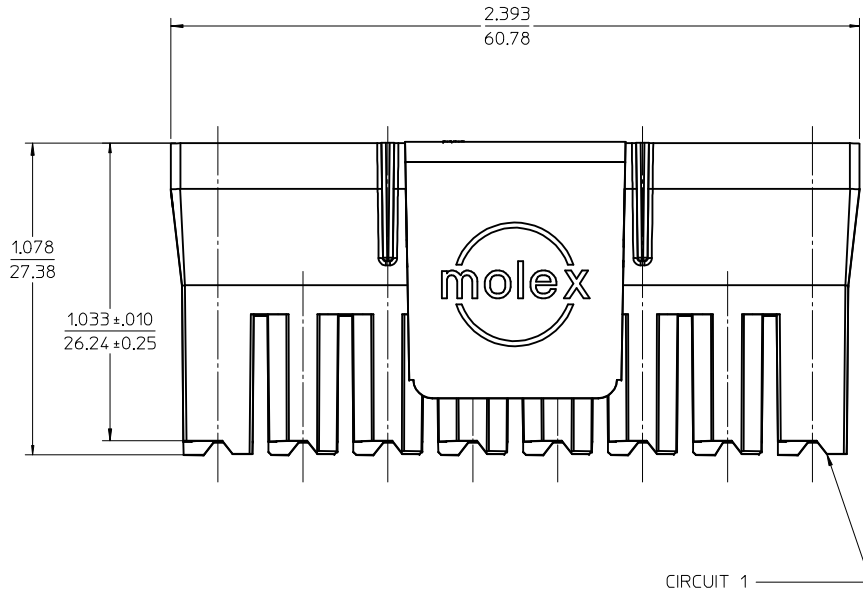


ITEM NUMBER	MATERIAL	COLOR
44441-2008	UL94V-0 NYLON	BLACK
44441-3008	UL94V-2 NYLON, IEC 60335-1 GLOW WIRE CAPABLE	BLACK

NOTE:

1. MATERIAL: SEE CHART
2. FINISH: NONE
3. PRODUCT SPECIFICATION: PS-44441-9999.
4. PACKAGING: PK-44441-001.
5. THIS CONNECTOR HOUSING FOR USE WITH 43375 SERIES TERMINALS (SEE DRAWINGS SD-43375-0001 AND SD-43375-1001).
6. THIS CONNECTOR MATES TO 8 CIRCUIT VERSIONS OF 43160 SERIES HEADERS (SEE DRAWING SDA-43160-****) AND 46007 SERIES HEADERS (SEE DRAWING SD-46007-001).
7. PART CONFORMS TO CLASS "B" REQUIREMENTS OF COSMETIC SPECIFICATION PS-45499-002 BUT, MEETS CLASS "C" REQUIREMENTS FOR BUBBLES, SINK AND DISCOLORATION.



1.033 TOLERANCE EC NO: UCP2015-4773 DRWN:JDFX 2015/05/13 CHKD:ANDERSON 2015/05/13 APPR:FSMLTH 2015/05/21	QUALITY SYMBOLS 	GENERAL TOLERANCES (UNLESS SPECIFIED) <table border="1"> <thead> <tr> <th></th> <th>mm</th> <th>INCH</th> </tr> </thead> <tbody> <tr> <td>4 PLACES</td> <td>± .---</td> <td>± .---</td> </tr> <tr> <td>3 PLACES</td> <td>± .---</td> <td>± .010</td> </tr> <tr> <td>2 PLACES</td> <td>± 0.25</td> <td>± .014</td> </tr> <tr> <td>1 PLACE</td> <td>± 0.35</td> <td>± .---</td> </tr> <tr> <td>0 PLACE</td> <td>±</td> <td>±</td> </tr> </tbody> </table>		mm	INCH	4 PLACES	± .---	± .---	3 PLACES	± .---	± .010	2 PLACES	± 0.25	± .014	1 PLACE	± 0.35	± .---	0 PLACE	±	±	DIMENSION STYLE IN/MM DRAWN BY: C STEWART DATE: 07-26-05 CHECKED BY: BWIRKUS DATE: 1995/07/26 APPROVED BY: BWIRKUS DATE:	SCALE 3:1 DESIGN UNITS INCH THIRD ANGLE PROJECTION	TITLE 8CKT. RECEPTACLE HOUSING .125/(3.18)X.020/(0.51) SABRE-TPA moLEX	MATERIAL NO. SEE CHART SIZE 	DOCUMENT NO. SD-44441-008 SHEET NO. 1 OF 1
		mm	INCH																						
	4 PLACES	± .---	± .---																						
	3 PLACES	± .---	± .010																						
2 PLACES	± 0.25	± .014																							
1 PLACE	± 0.35	± .---																							
0 PLACE	±	±																							
DRAFT WHERE APPLICABLE MUST REMAIN WITHIN DIMENSIONS	THIS DRAWING CONTAINS INFORMATION THAT IS PROPRIETARY TO MOLEX INCORPORATED AND SHOULD NOT BE USED WITHOUT WRITTEN PERMISSION																								
B1																									
REV																									