

4

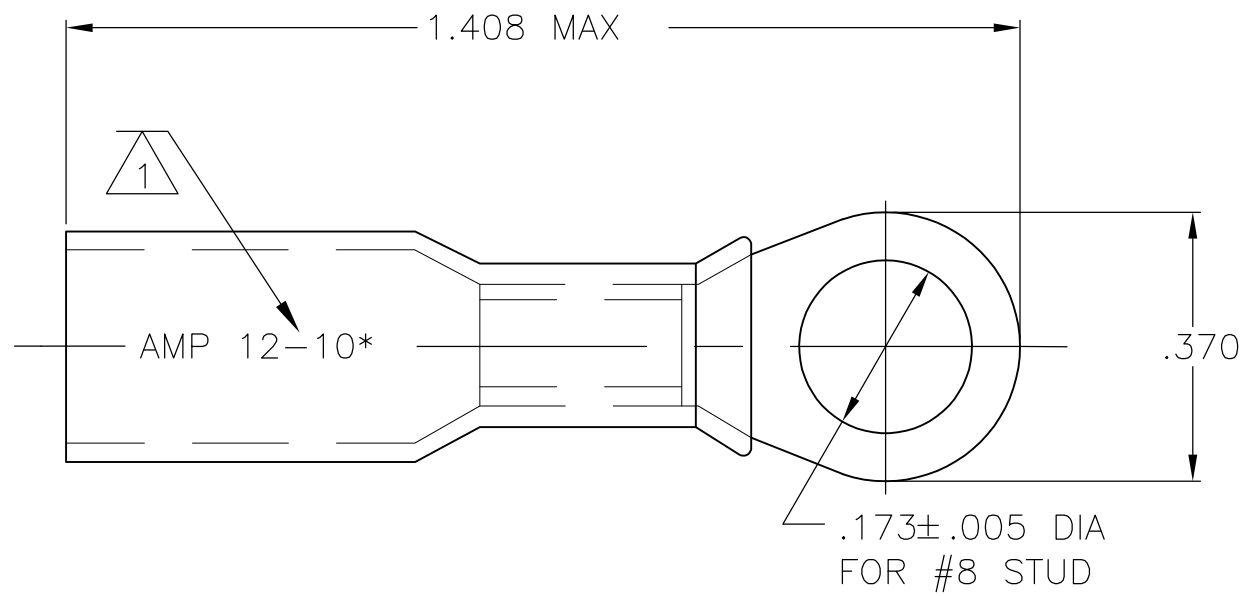
3

2

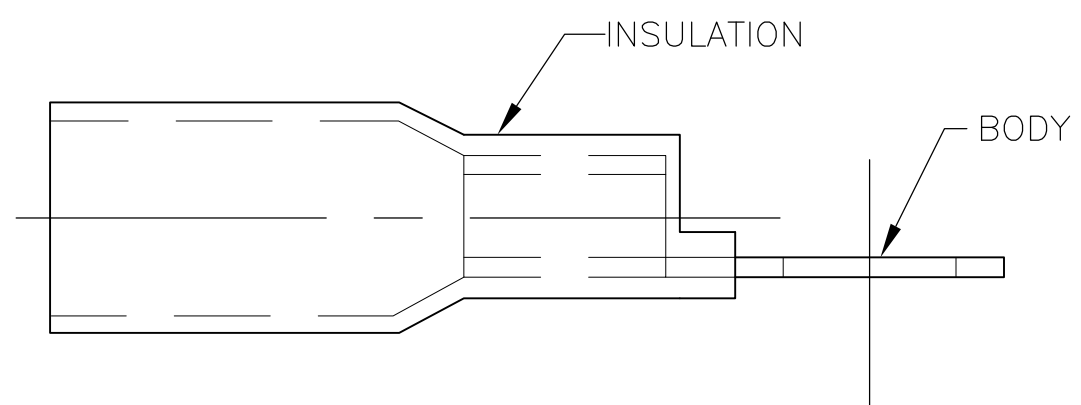
1

THIS DRAWING IS UNPUBLISHED. RELEASED FOR PUBLICATION
 © COPYRIGHT BY TYCO ELECTRONICS CORPORATION. ALL INTERNATIONAL RIGHTS RESERVED.

| LOC | DIST | REVISIONS | | | | | |
|-----|------|-----------|-----|---------------------------|---------|-----|------|
| | | P | LTR | DESCRIPTION | DATE | DWN | APVD |
| G | 14 | | E | REVISED PER ECR-09-027352 | 17FEB10 | JR | TM |



- 1 STAMP AMP 12-10* APPROX AS SHOWN
- 2 WIRE INSULATION .240 DIA MAX
- 3 TONGUE MATERIAL THK IS .040±.002
- 4 PRELIMINARY - NOT FOR PRODUCTION



| |
|--------------------------|
| AMP WIRE RANGE |
| 12-10 AWG STRANDED |

| QTY | PACKAGE TYPE | PART NO |
|------|---------------|-----------|
| 1500 | ON TAPE, REEL | 2-55856-1 |
| 25 | LOOSE PIECE | 8-55856-3 |
| 500 | LOOSE PIECE | 55856-1 |

| | | | | | | | | | |
|--|--|---|---|--|----------------------------|--|--------------------|-----------------------|--------------------|
| AMP INCORPORATED CUSTOMER SERVICE SYSTEMS | | MAX RECOMMENDED OPERATING TEMPERATURE: 125° C MAX | THIS DRAWING IS A CONTROLLED DOCUMENT. | | DWN S S GOULDEN 6/93 | Tyco Electronics Corporation Harrisburg, PA 17105-3608 | | | |
| FOR ADDITIONAL PRODUCT INFORMATION OR COPIES OF DRAWINGS AND TECHNICAL DOCUMENTS | PRODUCT INFORMATION CENTER 1-800-522-6752 | VOLTAGE RATING: 600V MAX (BUILDING WIRING) 1000V MAX (FIXTURES & SIGNS) | DIMENSIONS: INCHES | TOLERANCES UNLESS OTHERWISE SPECIFIED: | CHK R HERSEY 6/93 | NAME TERMINAL, RING TONGUE, SEALABLE HEAT SHRINKABLE | | | |
| FOR APPLICATION TOOLING INFORMATION | TOOLING ASSISTANCE CENTER 1-800-722-1111 | CIRCULAR MIL AREA: 2.62-6.64 ² [5180-13100] STRANDED | | 0 PLC ± - 1 PLC ± - 2 PLC ± .008 3 PLC ± - 4 PLC ± - ANGLES ± - | APVD B BARE 6/93 | APPLICATION SPEC 408-4022 | | | |
| FOR ORDER ENTRY | 1-800-526-5142 | THIS DRAWING IS A CONTROLLED DOCUMENT FOR AMP INCORPORATED. IT IS SUBJECT TO CHANGE AND THE CONTROLLING ENGINEERING ORGANIZATION SHOULD BE CONTACTED FOR THE LATEST REVISION. | MATERIAL BODY: ETP COPPER INSULATION: POLYOLEFIN COLOR: YELLOW | FINISH EDP TIN PLATED | PRODUCT SPEC - | SIZE A3 | CAGE CODE 00779 | DRAWING NO G-55856 | RESTRICTED TO - |
| | | | CUSTOMER DRAWING | | WEIGHT - | SCALE NTS | SHEET 1 OF 1 | REV E | |