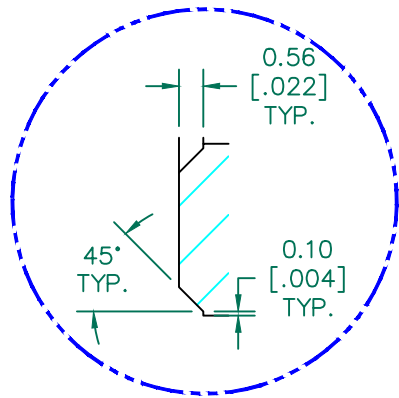
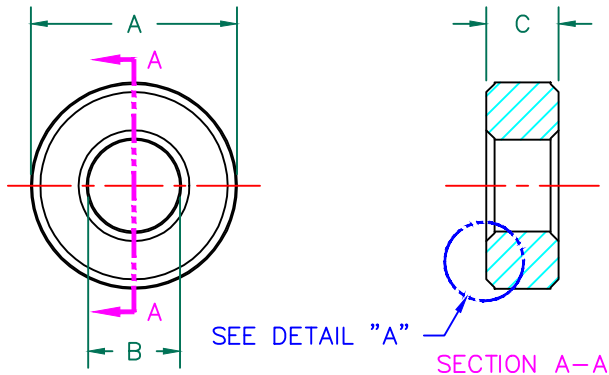


UNCONTROLLED DOCUMENT



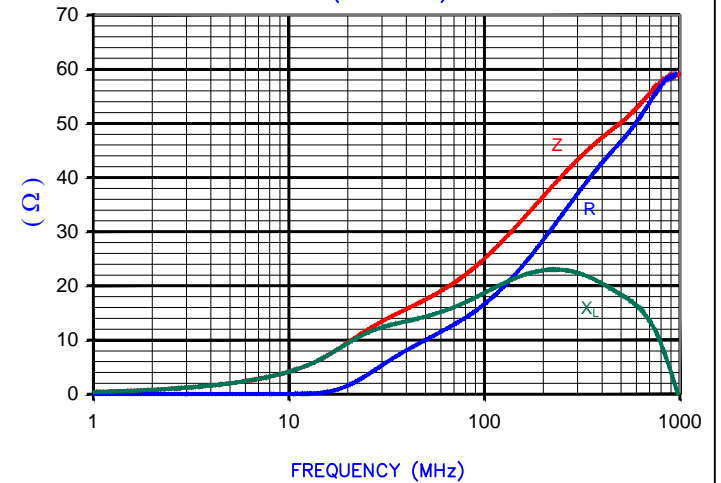
CHAMFER
DETAIL "A"
SCALE= 6:1

NOTES:

1. COSMETIC SPECIFICATION REFER TO WI-QA-038.

NET IMPEDANCE (Z)			
Frequency	300 MHz	500 MHz	1 GHz
Nominal (REF)	43 Ω	50 Ω	60 Ω
Minimum	- Ω	40 Ω	- Ω

NET Z,R AND X vs. FREQUENCY
(REF. ONLY)



AGILENT E4991A Impedance/Material Analyzer
HP 16092A-Test Fixture

FERRITE CORE DIMENSIONS (SPEC) MM [Inches]:

A	14.27 [.562]	+	0.29 [.011]
B	6.35 [.250]	+	0.13 [.005]
C	5.00 [.197]	+	0.10 [.004]

WEIGHT/1000 3.04 kgs [6.70 Lbs]

SCALE DRAWING 1:1

HFB143064-000



DIMENSIONS ARE IN mm [INCHES].				This print is the property of Laird Tech. and is loaned in confidence subject to return upon request and with the understanding that no copies shall be made without the written consent of Laird Tech. All rights to design or invention are reserved.		Laird	
				PROJECT/PART NUMBER:		REV	DRAWN BY:
C	UPDATE COMPANY LOGO	01/07/13	QIU	HFB143064-000		C	TMB
B	UPDATE FORMAT CHG CURVE & Z SPECS	04/03/03	TMB	DATE:	08/20/02	SCALE:	2 : 1
A	ORIGINAL DRAFT	08/20/02	TMB	CAD #	HFB143064-000-C	TOOL #	B0562
REV	DESCRIPTION	DATE	INT			MATERIAL: HF	