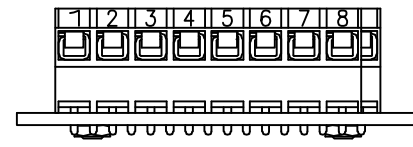
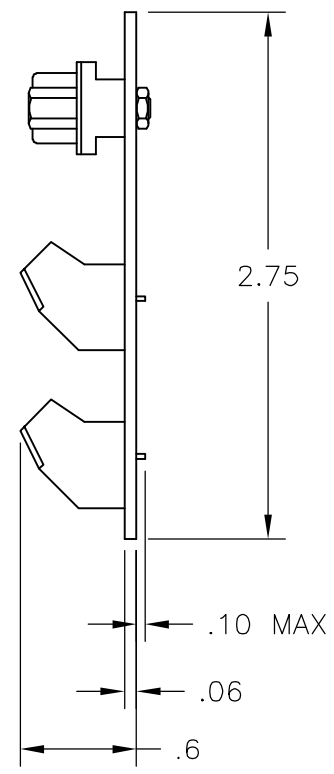
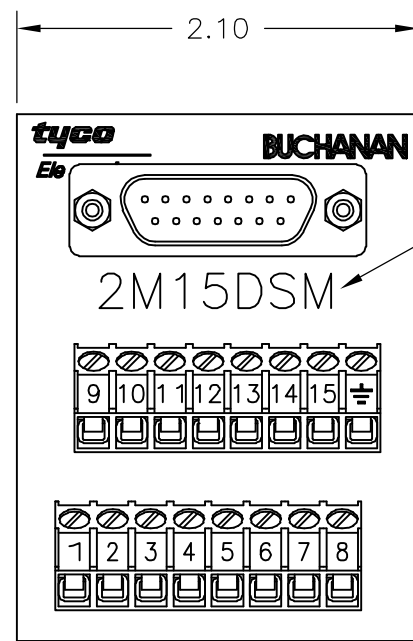


THIS DRAWING IS UNPUBLISHED. RELEASED FOR PUBLICATION  
 © COPYRIGHT BY TYCO ELECTRONICS CORPORATION. ALL RIGHTS RESERVED.

LOC	DIST	REVISIONS			
P	LTR	DESCRIPTION	DATE	DWN	APVD
FT	0	D	REVISED PER ECO-05-10413	9/29/05	SS SRY



**D-SUB CONNECTOR:**  
 MATERIAL:  
 HOUSING: THERMOPLASTIC POLYESTER, 94V-0.  
 CONTACTS: COPPER ALLOY, GOLD PLATED.  
  
 MECHANICAL:  
 WIRE RANGE: 26-30 AWG SOLID, 28 AWG STRANDED.

**TERMINAL BLOCK:**  
 MATERIAL:  
 HOUSING: THERMOPLASTIC NYLON, BLACK, 94V-0.  
 TERMINALS: COPPER ALLOY, TIN PLATED.

**ELECTRICAL CSA/UL:**  
 RATING: 10A, 300V.

**MECHANICAL:**  
 WIRE RANGE: 14-22 AWG.  
 MOUNTING: 2TK2 AND 2TK2D SERIES SNAPTRACK,  
 (SOLD SEPARATELY).

- NOTES:**
- ① CATALOG NUMBER MARKED HERE.
  - ② CONTAINS NO TIN-LEAD PLATING.

②	2M15DSML	1546694-1
	2M15DSM	1437684-7
	CATALOG NO.	PART NO.

THIS DRAWING IS A CONTROLLED DOCUMENT.		DWN S SCHLEGEL 08JUL02	Tyco Electronics Corporation Harrisburg, PA 17105-3608													
DIMENSIONS: INCHES		CHK H. WAKEEM 7/8/02														
TOLERANCES UNLESS OTHERWISE SPECIFIED:		APVD H. WAKEEM 7/8/02	NAME 2M15DSM ASSEMBLY													
<table border="1"> <tr><td>0 PLC</td><td>± -</td></tr> <tr><td>1 PLC</td><td>± .1</td></tr> <tr><td>2 PLC</td><td>± .01</td></tr> <tr><td>3 PLC</td><td>± -</td></tr> <tr><td>4 PLC</td><td>± -</td></tr> <tr><td>ANGLES</td><td>± -</td></tr> </table>		0 PLC	± -	1 PLC	± .1	2 PLC	± .01	3 PLC	± -	4 PLC	± -	ANGLES	± -	PRODUCT SPEC -	RESTRICTED TO -	
0 PLC	± -															
1 PLC	± .1															
2 PLC	± .01															
3 PLC	± -															
4 PLC	± -															
ANGLES	± -															
MATERIAL -		FINISH -	APPLICATION SPEC -	SCALE NTS												
		WEIGHT -	SIZE A3	SHEET 1 of 1												
			CAGE CODE 00779	REV D												
			DRAWING NO 1437684-7													
			CUSTOMER DRAWING													