



PRODUCT DATASHEET

Lena series

last update 18/4/2017

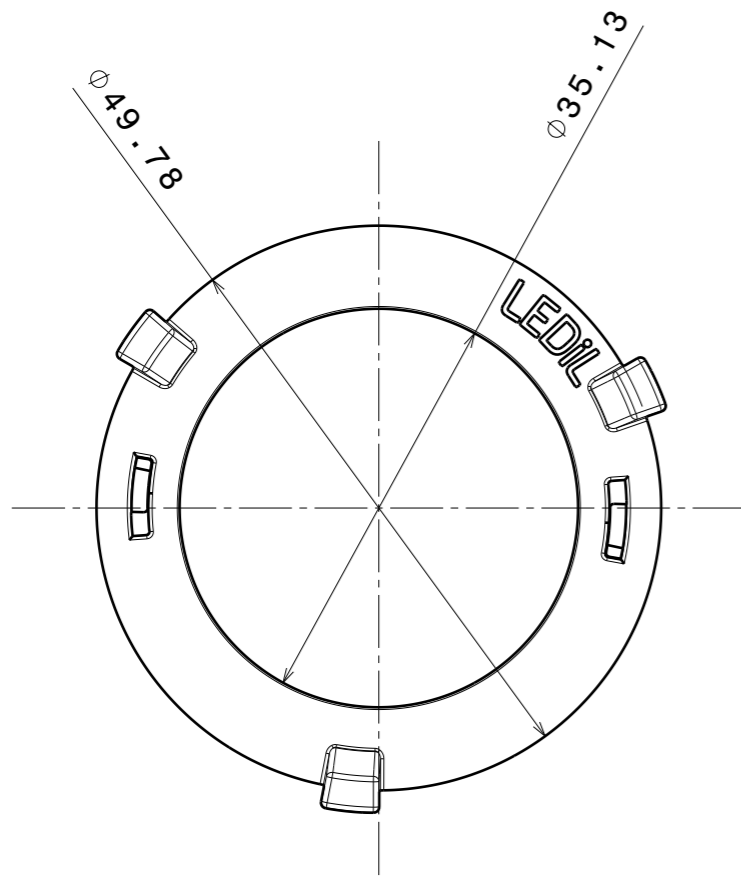
DETAILS

Product Number	C14547_LENA-ADAPTER-B
Family	Lena
Type	Accessory
Color	white
Diameter	50 mm
Height	8,2 mm
Style	round
Optic Material	
Holder Material	
Fastening	
Status	production ready
ROHS Compliant	Yes
Date Updated	18/04/2017

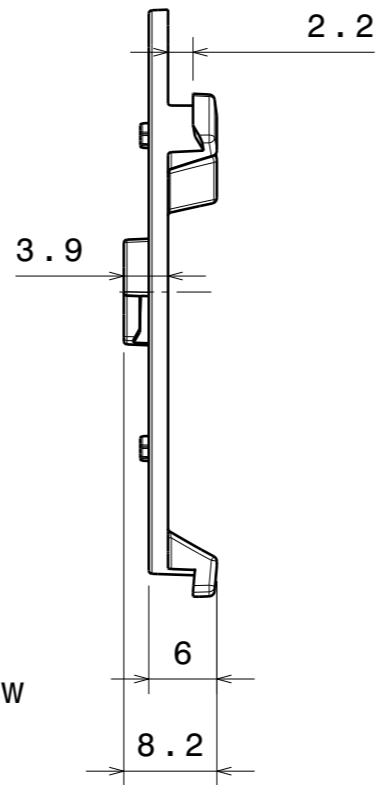


OPTICAL PROPERTIES

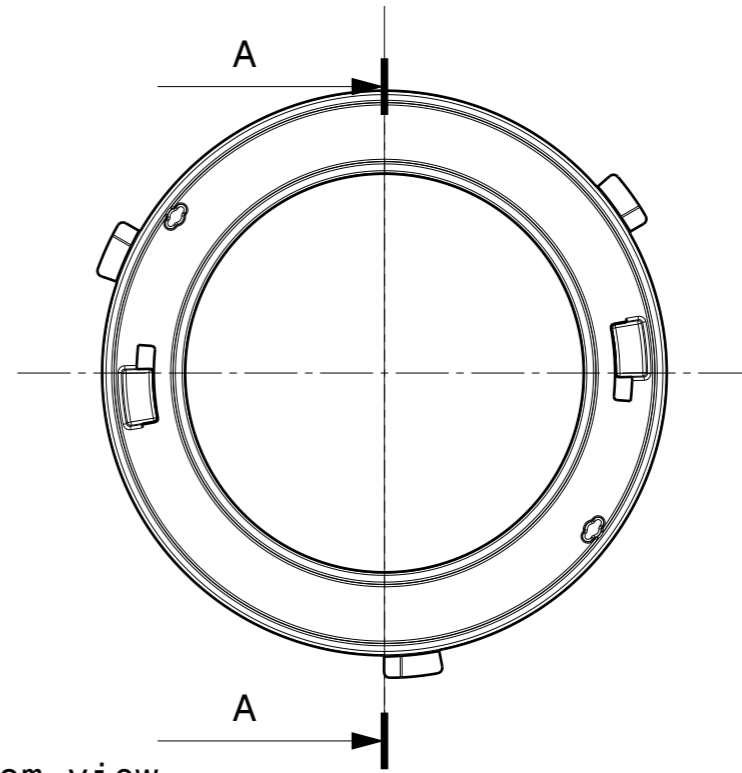
LED	Viewing Angle	Light Beam	Efficiency	cd/lm	Connector
-	N/A deg	-	-	-	-



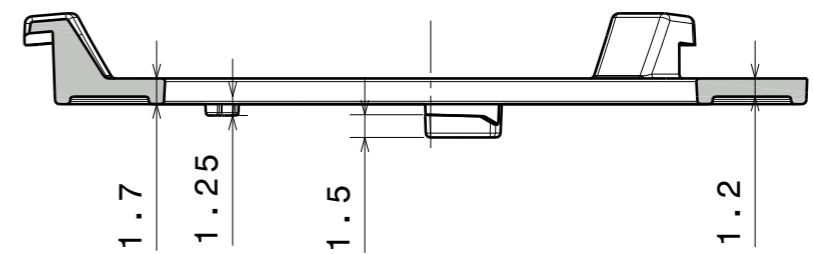
Top view



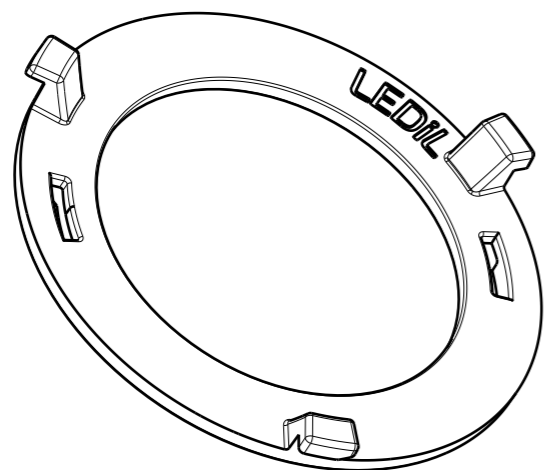
Side view



Bottom view



Section view A-A
Scale: 2:1



Isometric view

INDEX	PART NO	DESCRIPTION	MATERIAL	COLOUR
1	C14547	LENA-ADAPTER-B	PC	white

Tolerances if not otherwise shown
According to DIN ISO 2768-1
Linear measures:
up to 30mm class M, otherwise class C
According to DIN ISO 2768-2
Form and position: class L



Ledil Oy
Salorankatu 10
FIN 24240 SALO
Finland

THIRD ANGLE PROJECTION:

DRAWING TITLE
C14547_LENA-ADAPTER-B

This drawing is the property
of LEDiL Oy. It may not be
reproduced, copied or
communicated without a written
agreement with LEDiL Oy.

SIZE	PART NUMBER
A3	C14547
SCALE	3:2
WEIGHT	1,6 g
SHEET	1/1

NOTE: The typical divergence will be changed by different color, chip size and chip position tolerance. The typical total divergence is the full angle measured where the luminous intensity is half of the peak value.