

SPECIFICATION FOR APPROVAL



TO: _____

PART NO.		REV.		DELTA SAMPLE ISSUE NO	
PART NAME	EMI FILTER		DELTA MODEL	07TDVST2-1	
ORDER P/N.	07TDVST2-1		SAMPLE ISSUE DATE		

1. ELECTRICAL CHARACTERISTICS :

- 1-1. VOLTAGE RATING 480 VAC
- 1-2. CURRENT RATING 7 A RMS MAX.
- 1-3. OPERATING FREQUENCY 50/60Hz
- 1-4. LEAKAGE CURRENT : EACH LINE TO GROUND
 - A. AT 480 VAC 50Hz 30 mA MAX.
- 1-5. HIPOT RATING (FOR ONE MINUTE)
 - A. LINE TO GROUND 2250 VDC
 - B. LINE TO LINE 1450 VDC
- 1-6. MINIMUM INSERTION LOSS IN dB

MHz	.01	.05	.10	.15	.50	1.0	5.0	10	30
COM. MODE	/	/	/	55	70	60	45	30	15
DIF. MODE	/	/	/	45	50	45	40	40	20

- 1-7. AMBIENT TEMPERATURE 40°C
- 1-8. TEMPERATURE RANGE -25°C TO +100°C
- 1-9. SAFETY :

REPORT BY	CHECKED BY	APPROVED BY		
			REV.	

DELTA ELECTRONICS, INC.

186 RUEY KUANG ROAD, NEIHU. TAIPEI 114,
TAIWAN, R.O.C.
TEL:886-2-87972088 FAX:886-2-87972120

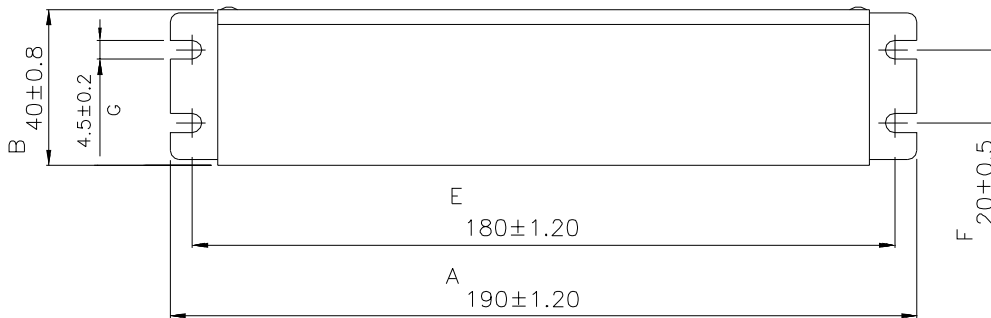
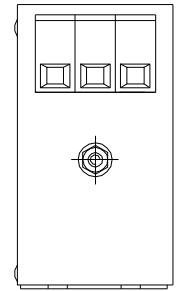
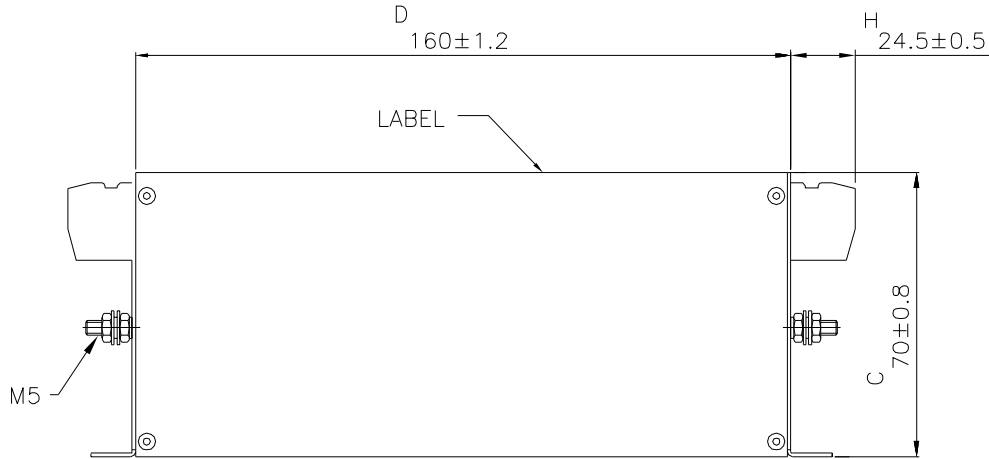
SPECIFICATION FOR APPROVAL



TO: _____

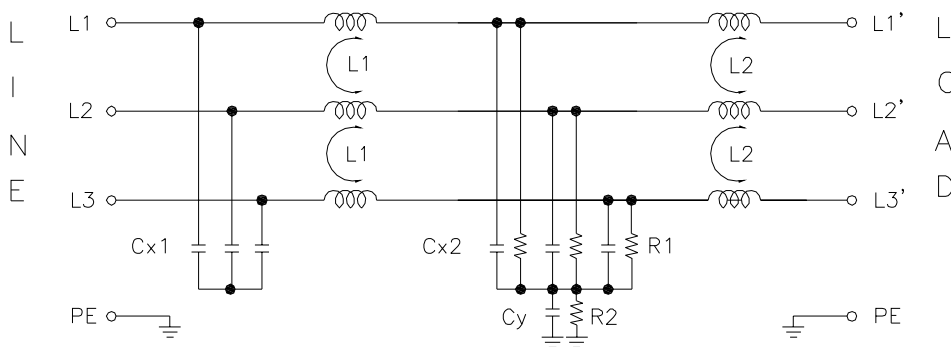
PART NO.		REV.		DELTA SAMPLE ISSUE NO	
PART NAME	EMI FILTER			DELTA MODEL	07TDVST2-1
ORDER P/N.	07TDVST2-1			SAMPLE ISSUE DATE	

2. PHYSICAL DIMENSIONS :



UNIT: mm

3. ELECTRICAL SCHEMATIC :



- L1: 2.52mH
- L2: 4.5uH
- Cx1: 3.3uF
- Cx2: 3.3uF
- Cy: 3.3uF
- R1: 1M OHM
- R2: 680k OHM

REPORT BY	CHECKED BY	APPROVED BY	UNLESS OTHERWISE SPECIFIED DIMENSION TOLERANCE DCEIMALS .X± .XX± ANGLES±		
			REV.		