



PRODUCT DATASHEET

Lenina series

last update 31/10/2016

DETAILS

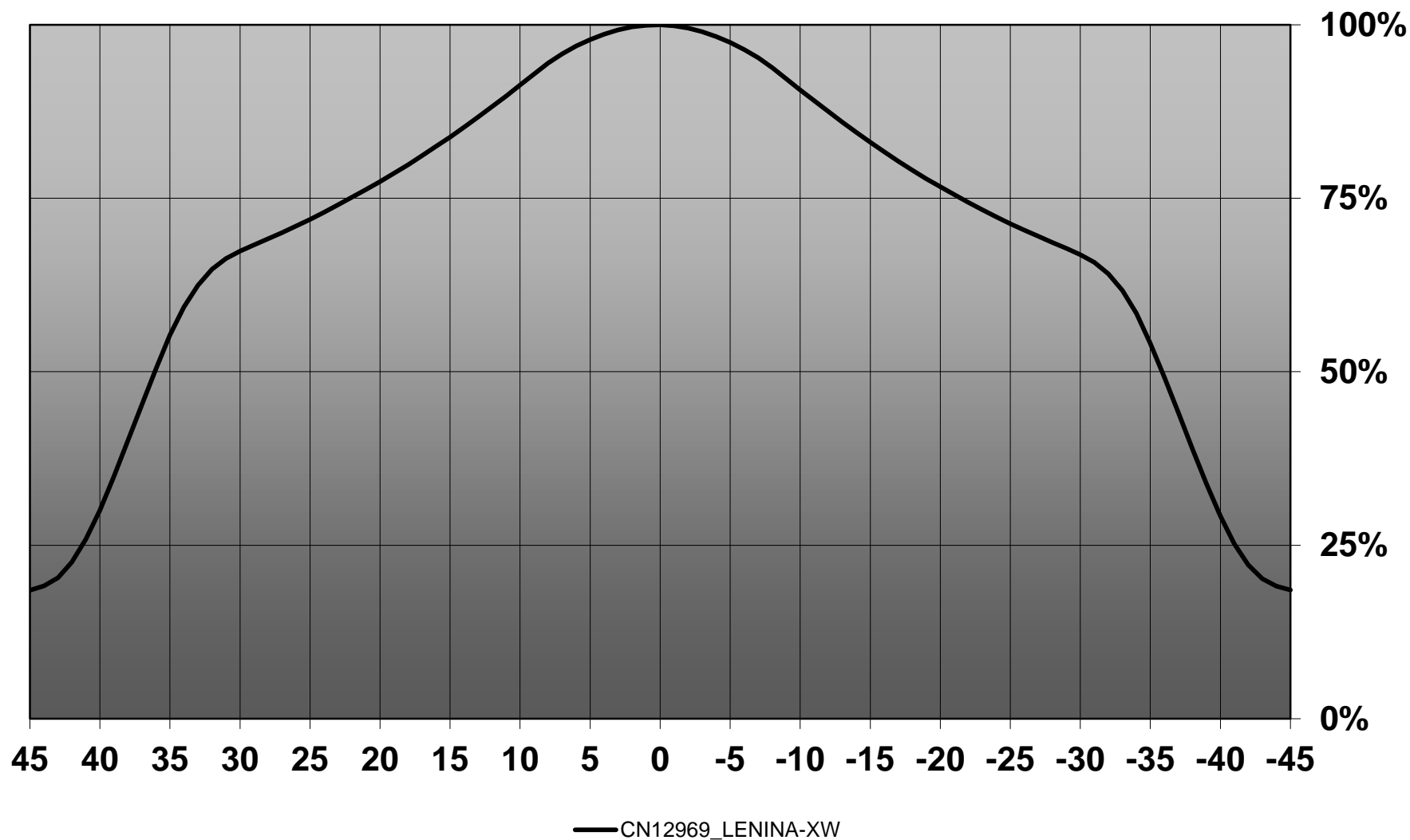
Product Number	CN12969_LENINA-XW
Family	Lenina
Type	RefPack
Color	white
Diameter	74 mm
Height	48,1 mm
Style	round
Optic Material	
Holder Material	
Fastening	socket
Status	production ready
ROHS Compliant	Yes
Date Updated	31/10/2016

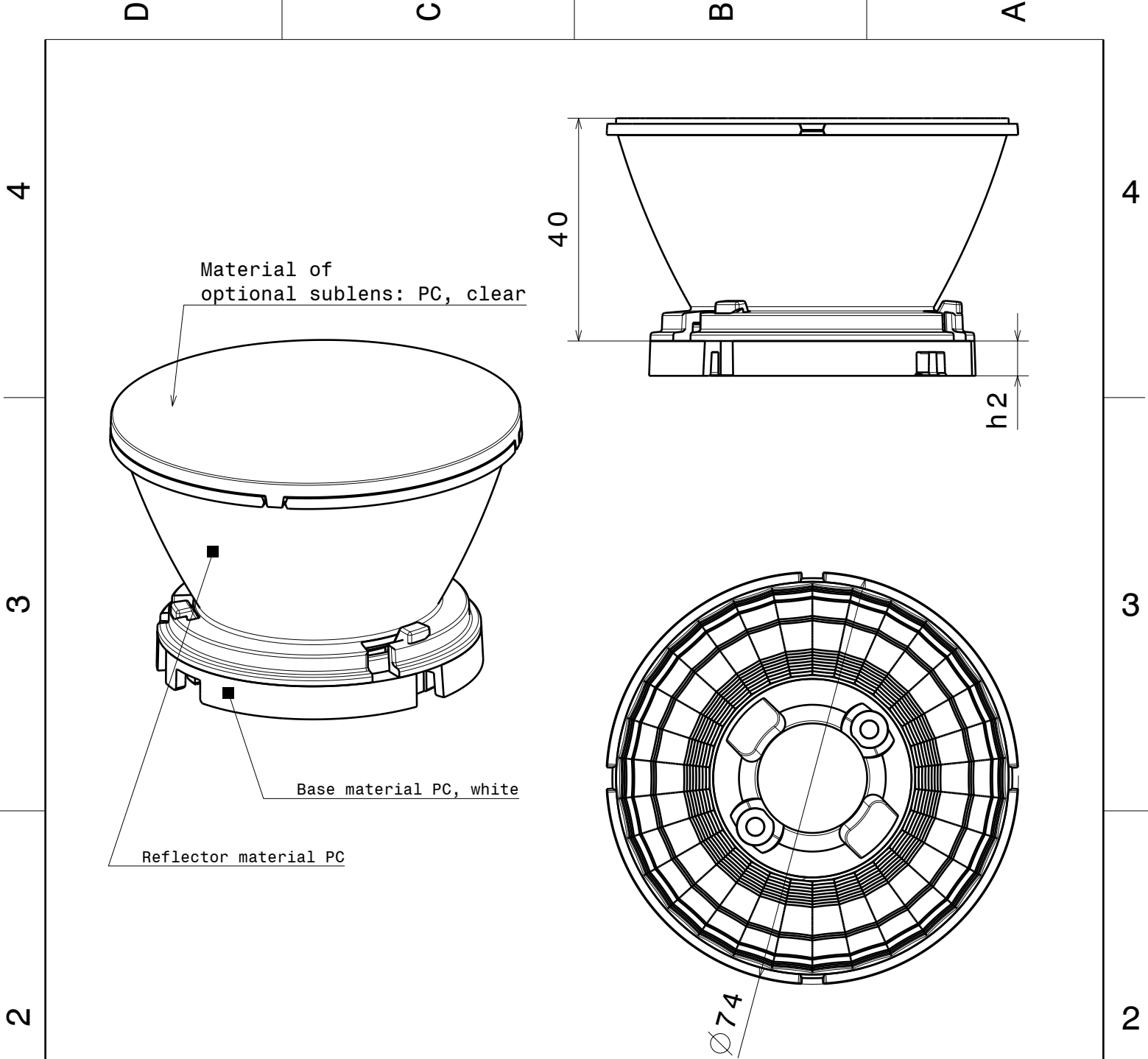
OPTICAL PROPERTIES

LED	Viewing Angle	Light Beam	Efficiency	cd/lm	Connector
CL-L340	72 deg	WWW-class	86 %	0.619	-



Absolute intensity of CN12969_LENINA-XW






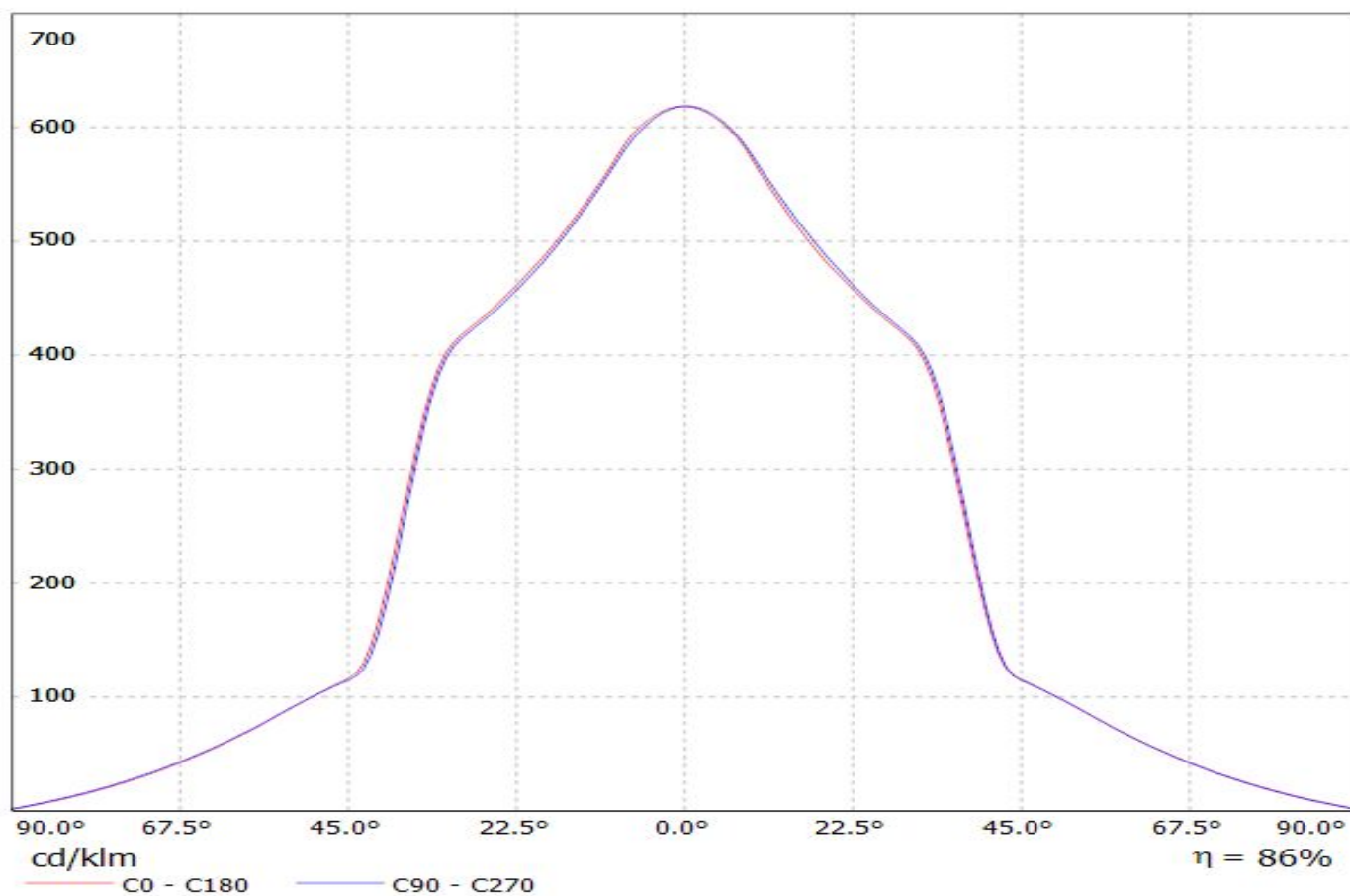
NOTE:

Using optional sublens, add 2.1mm to the system height

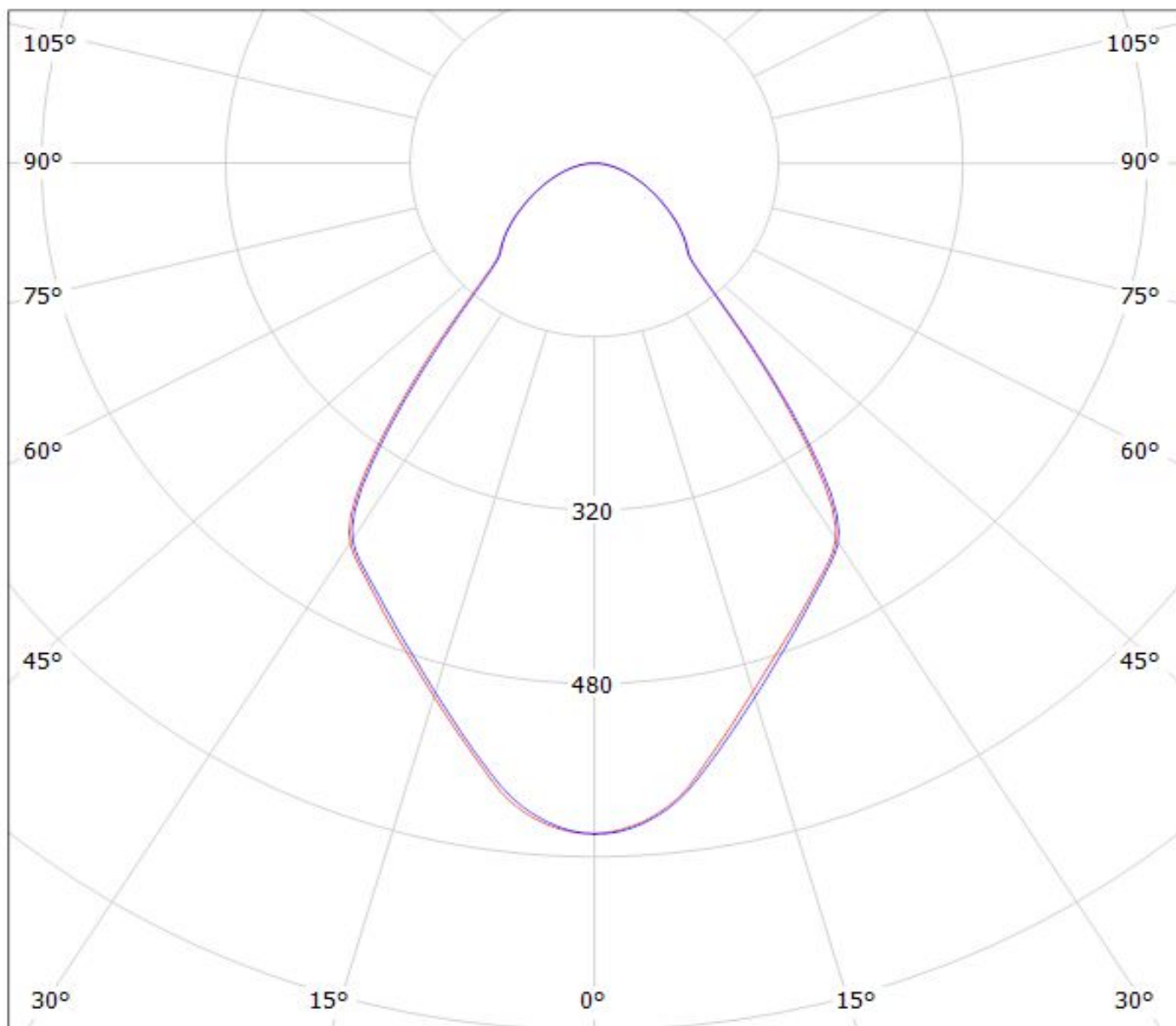
Dimension 'h2' varies from 4.5mm to 7mm depending on the LED specific base part

This drawing is our property. It can't be reproduced or communicated without our written agreement.		 Ledil Oy Salorankatu 10 FIN-24240 SALO Finland		
				DRAWING TITLE
DRAWN BY	DATE	Datasheet Lenina series		
ks	23.04.2014			
CHECKED BY	DATE	SIZE	DRAWING NUMBER	REV
		A4	--	1
DESIGNED BY	DATE	SCALE	WEIGHT (g)	SHEET
p1	08.03.2012	1:1		1/1

Luminaire: LEDIL OY CN12969_LENINA-XW Eff.86.0%
Lamps: 1 x CL-L340 (1340.35lm@250mA)



Luminaire: LEDIL OY CN12969_LENINA-XW Eff.86.0%
Lamps: 1 x CL-L340 (1340.35lm@250mA)



cd/klm

— C0 - C180 — C90 - C270

$\eta = 86\%$

NOTE: The typical divergence will be changed by different color, chip size and chip position tolerance. The typical total divergence is the full angle measured where the luminous intensity is half of the peak value.