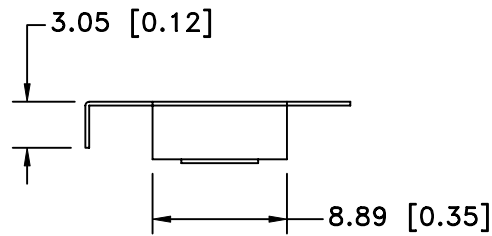
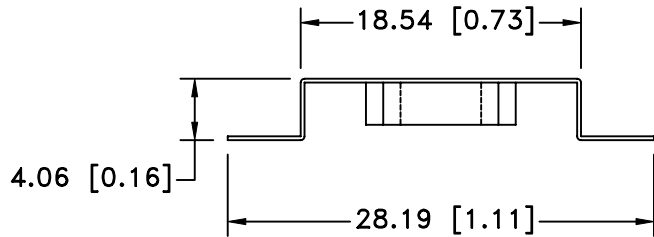
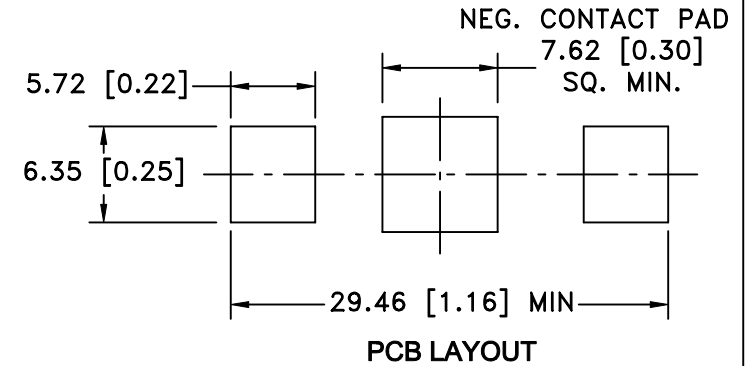
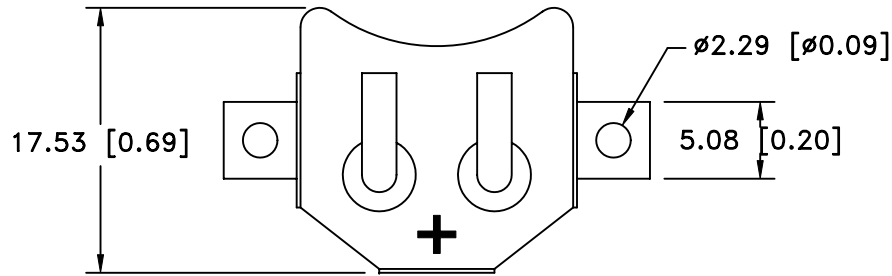



Date	SYM	REVISION RECORD	AUTH	DR.	CK.
11/06/03	A	ADDED BATTERY NUMBERS	T.B.	B.S.	



NOTES:

- 1. MATERIAL:
0.25mm PHOSPHOR BRONZE, NICKLE PLTD.

Tolerance (Except as noted)		 Memory Protection Devices, Inc 200 Broad Hollow Road, Farmingdale, New York 11735
decimal ±.5 (.020)	Scale	
Fractional ± .8 (.030)		Title 16mm SURFACE MOUNT RETAINER
Angular ± 3°	Date 11/06/03	Drawn By B.S. Approved By T.B. Drawing Number BK-868

CELL SIZE	RETAINS BATTERY NUMBERS
16mm	CR1616, CR1620, CR1632