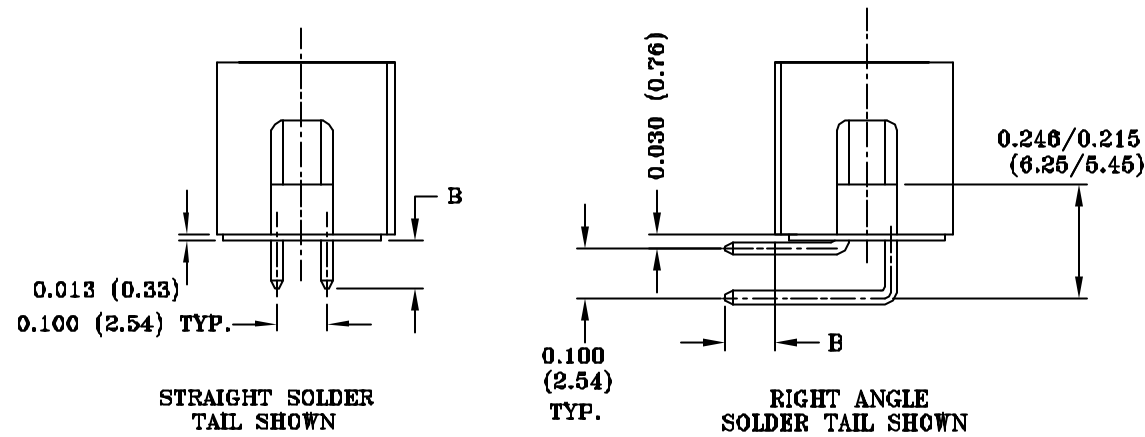


This document is the property of Amphenol Corporation and is delivered on the express condition that it is not to be disclosed, reproduced or used in whole or in part, for manufacture or sale by anyone other than Amphenol Corporation without its prior consent, and that no right is granted to disclose or to use any information in this document.

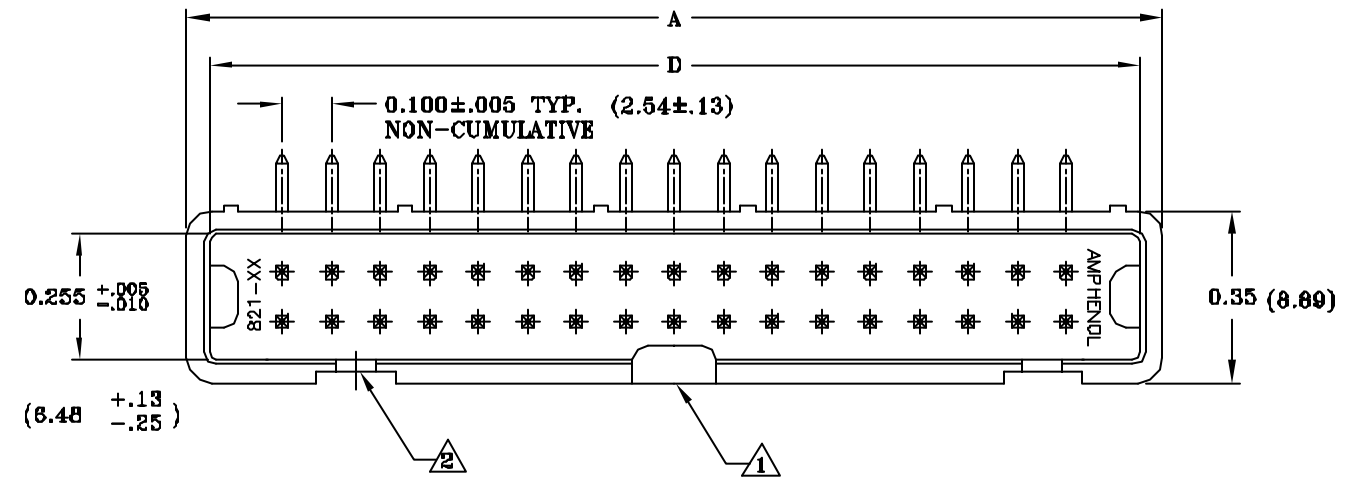
REVISIONS				
SYM	ZONE	DESCRIPTION	DATE	APPROVED
A	ECN#HK899	RELEASE TO CUSTOMER AND SUPERSEDE THE OLD DWG C821-XXXX-XXX	11/24/04	IP
B	ECN#HK1104	ZONE DS, ADD DIM 6.25-5.45 PER CUSTOMER REQUEST	12/08/05	NELSON
C	HK3437	UPDATE DRAWING TO COMPLY WITH RoHS	07/18/05	IP

SIZE	A±.010 (.25)	D±.010 (.25)
10	0.790 (20.07)	0.700 (17.78)
14	0.990 (25.15)	0.900 (22.86)
16	1.090 (27.69)	1.000 (25.40)
20	1.290 (32.77)	1.200 (30.48)
26	1.590 (40.39)	1.500 (38.10)
30	1.790 (45.47)	1.700 (43.18)
34	1.990 (50.55)	1.900 (48.26)
38	2.090 (53.09)	2.000 (50.80)
40	2.290 (58.17)	2.200 (55.88)
50	2.790 (70.87)	2.700 (68.58)
60	3.290 (83.57)	3.200 (81.28)
64	3.490 (88.65)	3.400 (86.36)



**OPERATING CHARACTERISTICS**

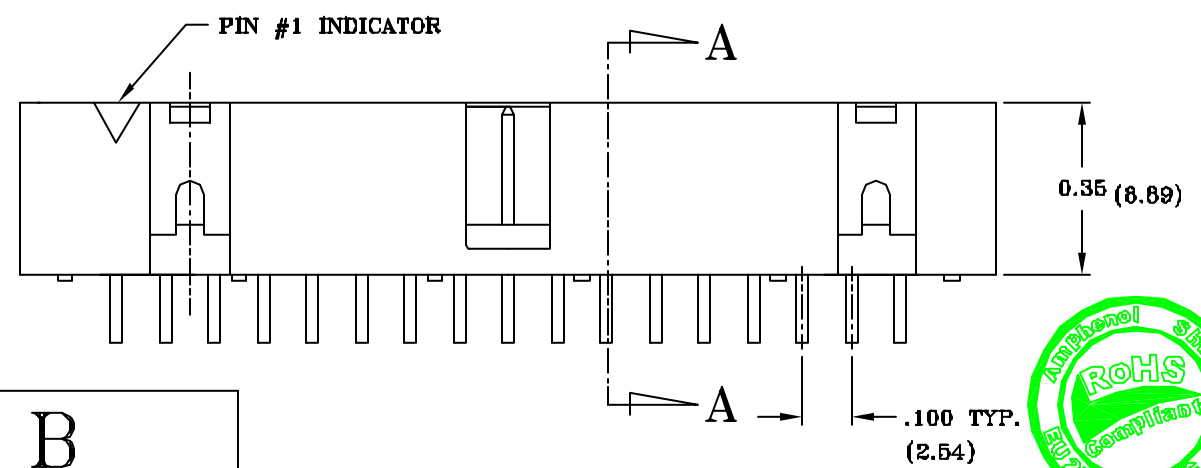
- CURRENT CAPACITY: 1 Amp (DC) PER CONTACT.
- VOLTAGE RATING (SEA LEVEL): 1500 VAC RMS.
- OPERATING TEMPERATURE: -55°C TO +105°C.
- BODY CONTACT RETENTION: 7 LBS. (IN BOTH DIRECTIONS)
- LOW LEVEL CONTACT RESISTANCE: 50 MILLIOHMS (MAX.)
- INSULATION RESISTANCE: 5000 MEGOHMS (MIN.)
- DIELECTRIC WITHSTANDING VOLTAGE: 1500 AC RMS (AT SEA LEVEL)



**PART NUMBER SYSTEM**

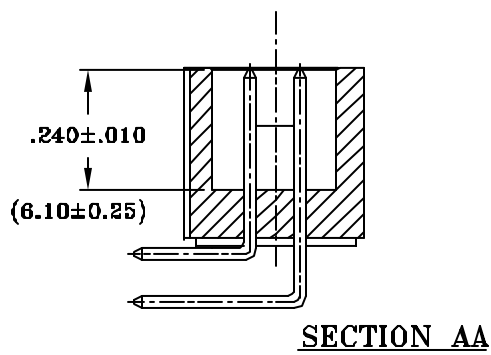
821 - A X XX P - XX X 0 0 X

- COLOR**  
0 - GREY  
2 - BLACK
- SIZE (SEE CHART)**
- PLATING**  
AF: NICKEL UNDERPLATE  
15 MICROINCHES GOLD ON POSTS: PURE TIN ON TAILS.  
AM: NICKEL UNDERPLATE  
30 MICROINCHES GOLD ON POSTS: PURE TIN ON TAILS.  
AA: NICKEL UNDERPLATE  
GOLD FLASH ON POST: PURE TIN ON TAIL
- OPTION**  
NIL - STD  
S - CENTER POLARIZING SLOT PRESENT (THIS OPTION IS APPLIED FOR 10 WAYS ONLY)
- CONTACT CHARACTERISTICS**  
A: SHORT, STRAIGHT SOLDER TAIL  
B: LONG, STRAIGHT SOLDER TAIL  
C: SHORT, RIGHT ANGLE SOLDER TAIL  
D: LONG, RIGHT ANGLE SOLDER TAIL  
E: STRAIGHT, WIRE WRAP  
F: RIGHT ANGLE, WIRE WRAP
- STD TYPE WITHOUT LATCH**



- NOTES: UNLESS OTHERWISE SPECIFIED**
- CENTER POLARIZING SLOT ABSENT ON SIZE 10, IF THE SLOT IS REQUIRED IN 10 WAYS, A "S" IS REQUIRED TO BE ADDED AT THE END OF THE P/N.
  - POLARIZING KEY SLOT ABSENT IN THIS AREA ON SIZES 10 AND 14.
  - ALL DIMENSIONS ARE IN INCHES.
  - THIS HEADER MATES WITH IDC SOCKET ( AMPHENOL 812 SERIES SOCKET )
  - RECOMMENDED PRINTED CIRCUIT BOARD LAYOUT:  
SPACING: 0.100 ± 0.003 (2.54±.08)  
DIA. OF HOLES: 0.040 ± 0.003 (1.02±.08)
  - MATERIALS:**  
HOUSING: GLASS REINFORCED POLYESTER, UL94V-0, COLOR-GRAY OR BLACK.  
CONTACTS: PHOSPHOR BRONZE ALLOY.  
FINISH: GOLD THICKNESS PLATED ON THE MATING LENGTH REFER TO THE PART NUMBER SYSTEM AND 100-200u" PURE TIN PLATED ON THE TAIL WITH 50-100u" NICKEL UNDERPLATED ALLOVER.
  - MAX. CONTACT ROTATION ALLOWED 3°
  - DIMENSIONS IN BRACKET ARE IN MM.
  - MATERIAL SHOULD BE FULFILLED AMPHENOL SPEC #SSN001.

CONTACT CHARACTERISTICS		B
STR.	R/A	
E	F	.810±.015 (15.49±.38)
B	D	.160±.010 (4.06±.25)
A	C	.100±.010 (2.54±.25)



UNLESS OTHERWISE SPECIFIED TOLERANCES		APPROVAL	DATE
U.S.	METRIC		
X +/-	.015	DRAWN	ALEX.LEE 07/18/05
XX +/-	.010	CHECKED	TSUI 07/18/05
XXX +/-	.005	CHECKED	
FRACTIONS +/-		DRAWING FILE:	
ANGLES +/-	2.5°	DRAWING\821\C821XXPL.DWG	
FOR MATERIALS AND FINISHES SEE NOTES		ANGLE OF PROJECTION	
REMOVE SHARP EDGES			
DIMENSIONS			
U.S.	INCHES		
(METRIC)	(MM)		

**CUSTOMER DRAWING**



Amphenol		
TITLE 821 BOX HEADER		
SIZE A3	DRAWING NO. C821-AXXXX-XXX00X	REV. C
SCALE NONE	SHEET 1 OF 1	