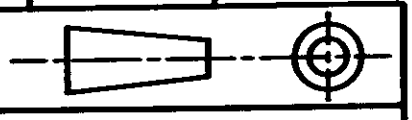
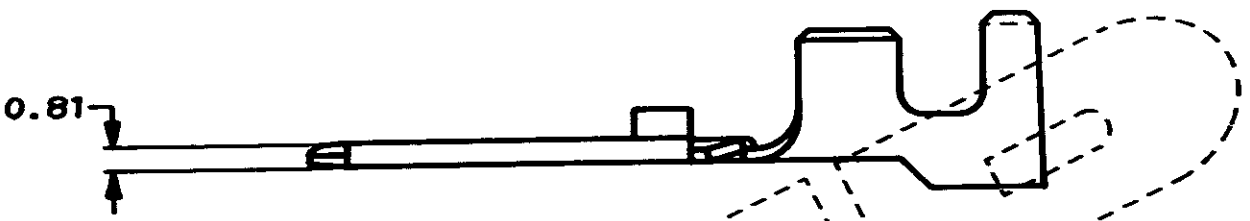
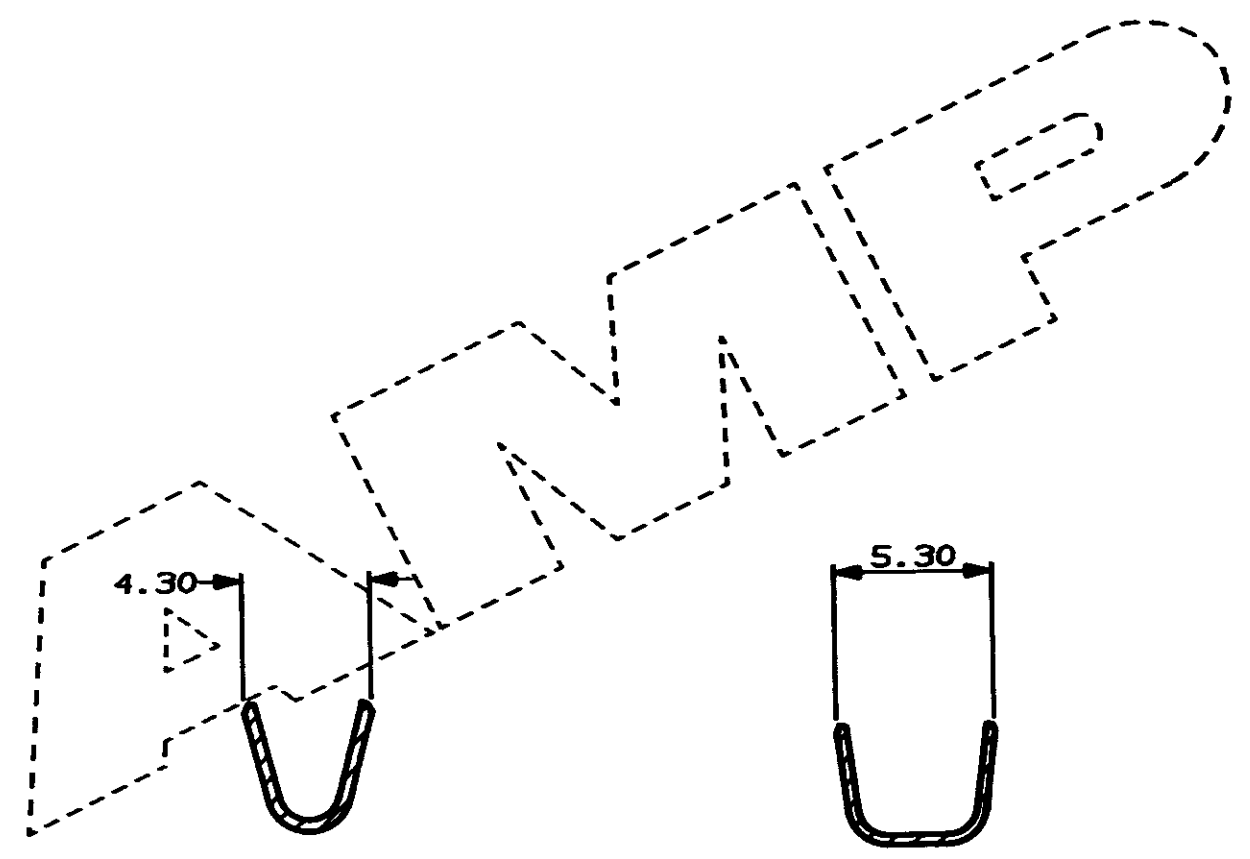
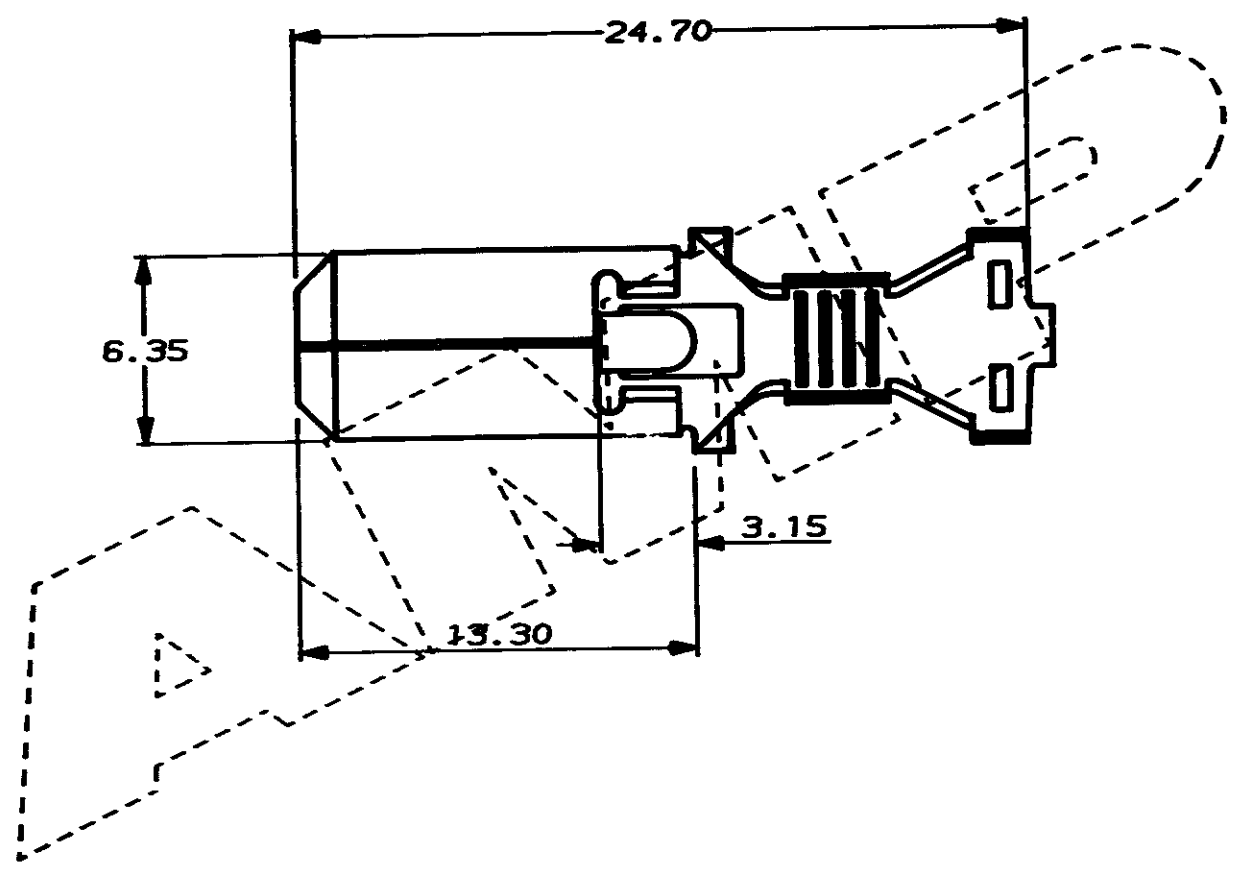


DO NOT SCALE

DIMENSIONS IN MM.



C.A.D. FILE CODE  
C344067



**WIRE RANGE:**  
 SINGLE WIRES OF 2.0, 2.5 AND 3.0MM<sup>2</sup>  
 OR DOUBLE WIRES OF 2 X 1.0MM<sup>2</sup> OR 2 X 1.5MM<sup>2</sup>

**INS. RANGE:**  
 SINGLE WIRES OF 2.6 DIA. TO 3.4 DIA.  
 OR DOUBLE WIRES OF 2 X 2.1 DIA. OR 2 X 2.4 DIA.

(NOTE: O/LAP-CRIMP FOR SINGLE WIRES AND  
 F-CRIMP FOR DOUBLE WIRES TO BE USED).

PRE-TIN PLATED		COPPER ALLOY		344067-2	
TIN PLATED		BRASS		344067-1	
FINISH			MATERIAL		PART NUMBER
CUSTOMER DWG FOR REFERENCE ONLY			©COPYRIGHT 1987 BY AMP OF GREAT BRITAIN LTD. ALL INTERNATIONAL RIGHTS RESERVED. ALL PRODUCTS MAY BE COVERED BY BRITISH AND FOREIGN PATENTS AND/OR PATENTS PENDING.		RELEASED FOR PUBLICATION 23/06/87
-	-	-	-	DR. R. RUNAGALL 23/06/87	
-	-	-	-	CH. R. J. S.	APP. B. J.
-	-	-	-	<b>STE</b> TE Connectivity	
-	-	-	-	NAME .250 SERIES TAB HIGH CURRENT ECONOSEAL 3 (UNSEALED APPLICATIONS)	
B1	ECR-14-002475	BB	19FEB2014	SCALE	LOC
REV	ECR	APP	DATE	4/1	E
				SIZE	DWG.No.
				A3	C344067
				REV	SHEET
				B1	1/1