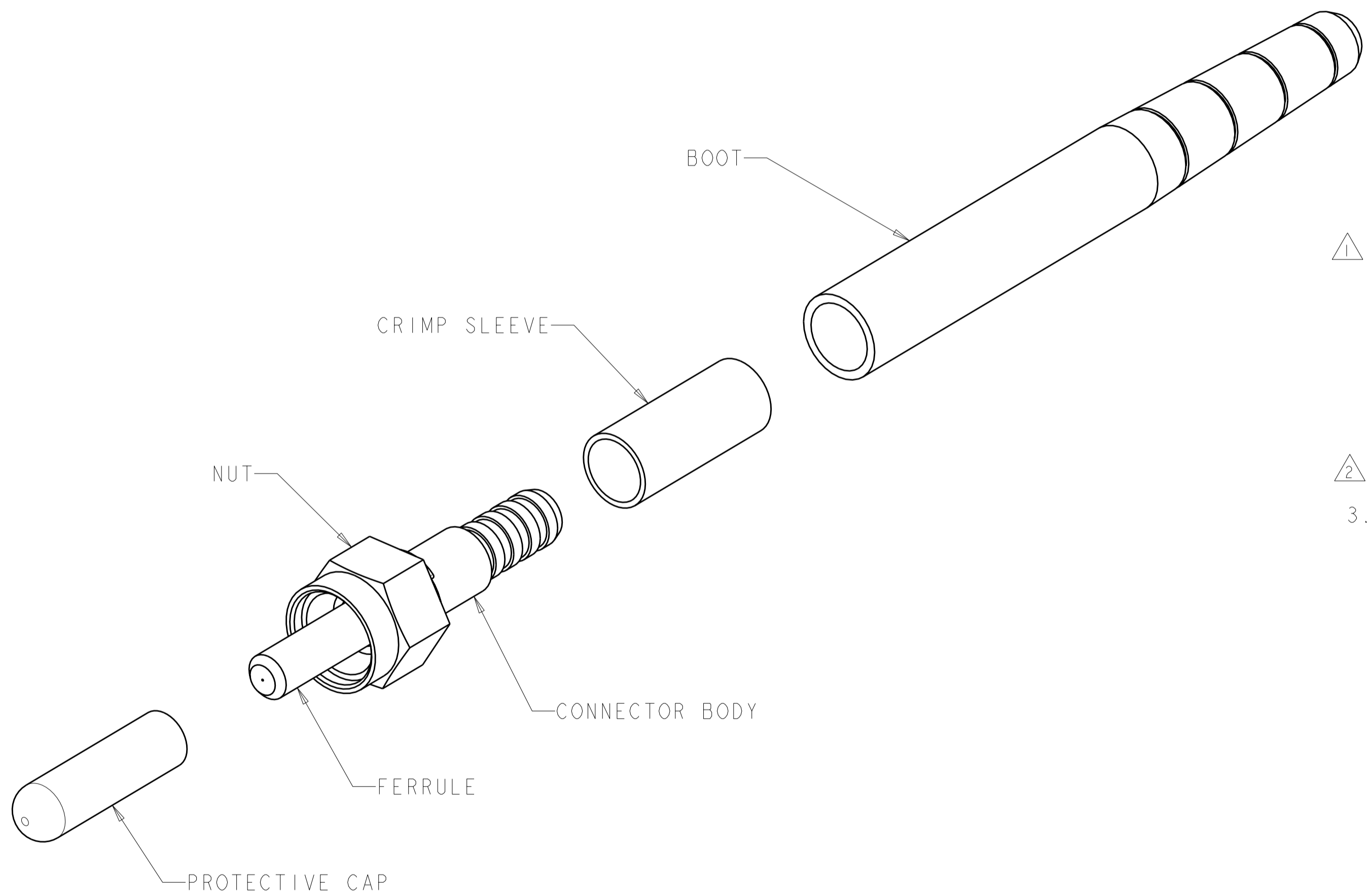
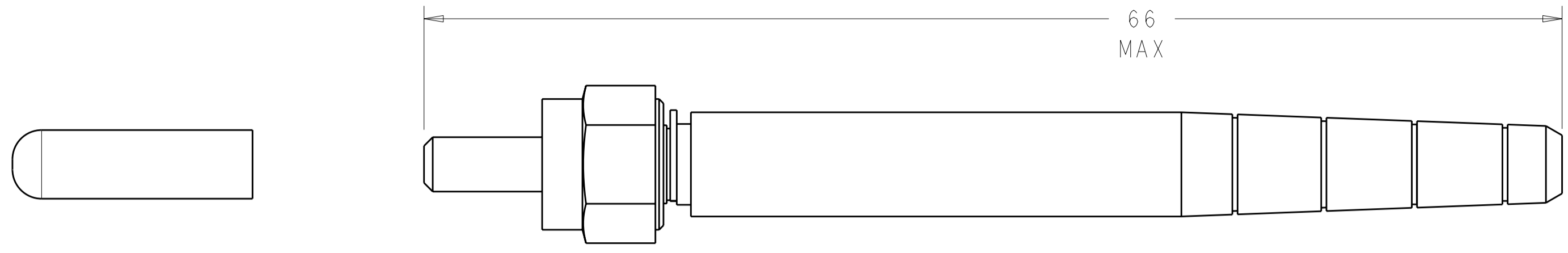


THIS DRAWING IS UNPUBLISHED. RELEASED FOR PUBLICATION 20  
 © COPYRIGHT 20 BY TYCO ELECTRONICS CORPORATION. ALL RIGHTS RESERVED.

LOC	DIST	REVISIONS					
CE	00	P	LTR	DESCRIPTION	DATE	DWN	APVD
		I		NEW PRODUCT RELEASE	05MAY2006	BB	LS
		A		RELEASED PER ECR-07-004102	16MAR2007	JWD	LS



1 MATERIAL CONNECTOR ASSEMBLY:  
 REAR BODY: NICKEL PLATED BRASS  
 FERRULE: STAINLESS STEEL  
 COUPLING NUT: NICKEL PLATED BRASS  
 PROTECTIVE CAP: VINYL, COLOR: RED  
 CRIMP EYELET: NICKEL PLATED BRASS  
 STRAIN RELIEF: POLYOLEFIN ELASTOMER, COLOR: BLACK\*  
 \*UL94 V-0 RATED AT QUALIFYING THICKNESS.

2 BULK PACKAGE.  
 3. COUPLING NUT NORMAL TIGHTENING TORQUE RANGE IS 7.0 TO 10.0 in-lbf. DO NOT EXCEED 20 in-lbf.

DESCRIPTION	FIBER HOLE SIZE	PART NUMBER
2 BOOT NOT INCLUDED	140um	4-5504567-1
STANDARD KIT	720um	3-5504567-9
STANDARD KIT	.082 in	3-5504567-3
STANDARD KIT	.042 in	2-5504567-9
STANDARD KIT	140um	5504567-2
STANDARD KIT	125um	5504567-1

THIS DRAWING IS A CONTROLLED DOCUMENT FOR TYCO ELECTRONICS CORPORATION IT IS SUBJECT TO CHANGE AND THE CONTROLLING ENGINEERING ORGANIZATION SHOULD BE CONTACTED FOR THE LATEST REVISION.		DWN B. BRIGGS 05MAY2006	Tyco Electronics Harrisburg, PA 17105-3608
DIMENSIONS: mm		CHK L. SAUERWEIN 05MAY2006	
TOLERANCES UNLESS OTHERWISE SPECIFIED: 0 PLC ± 1 PLC ± 2 PLC ± 3 PLC ± 4 PLC ± ANGLES ± FINISH		APVD S. BUCHTER 05MAY2006	NAME CONNECTOR KIT, SMA 905 STAINLESS STEEL FRONT BODY, BRASS REAR BODY, 4.3mm CABLE
MATERIAL		PRODUCT SPEC -	SIZE A200779
1		APPLICATION SPEC -	CAGE CODE C-5504567
		WEIGHT -	DRAWING NO -
		CUSTOMER DRAWING	RESTRICTED TO -
		SCALE 4:1	SHEET 1 OF 1 REV A