

4

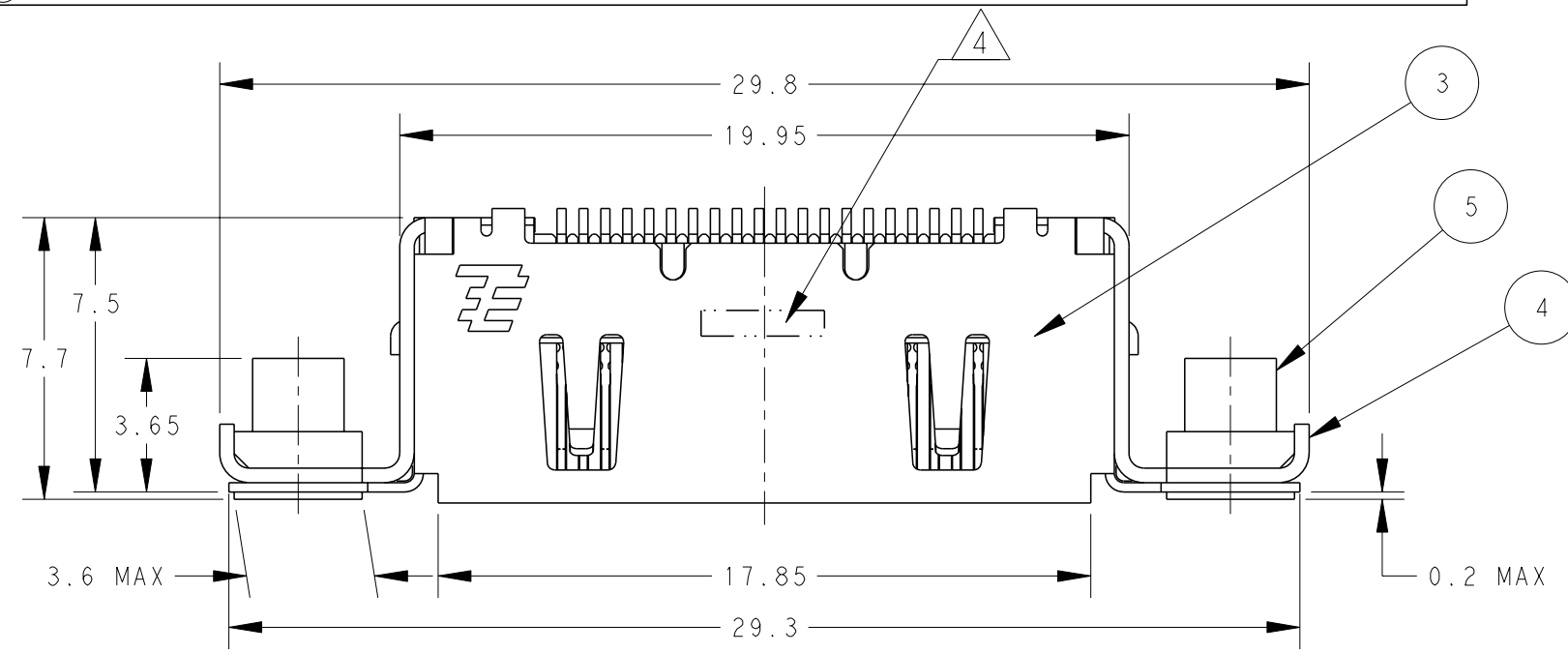
3

2

1

THIS DRAWING IS UNPUBLISHED. RELEASED FOR PUBLICATION 20
 © COPYRIGHT 20 BY - ALL RIGHTS RESERVED.

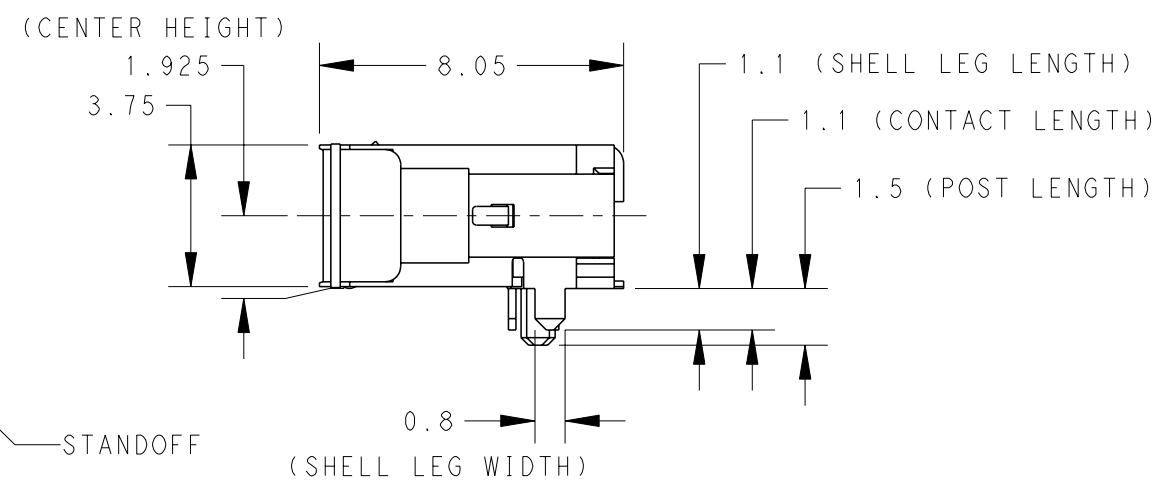
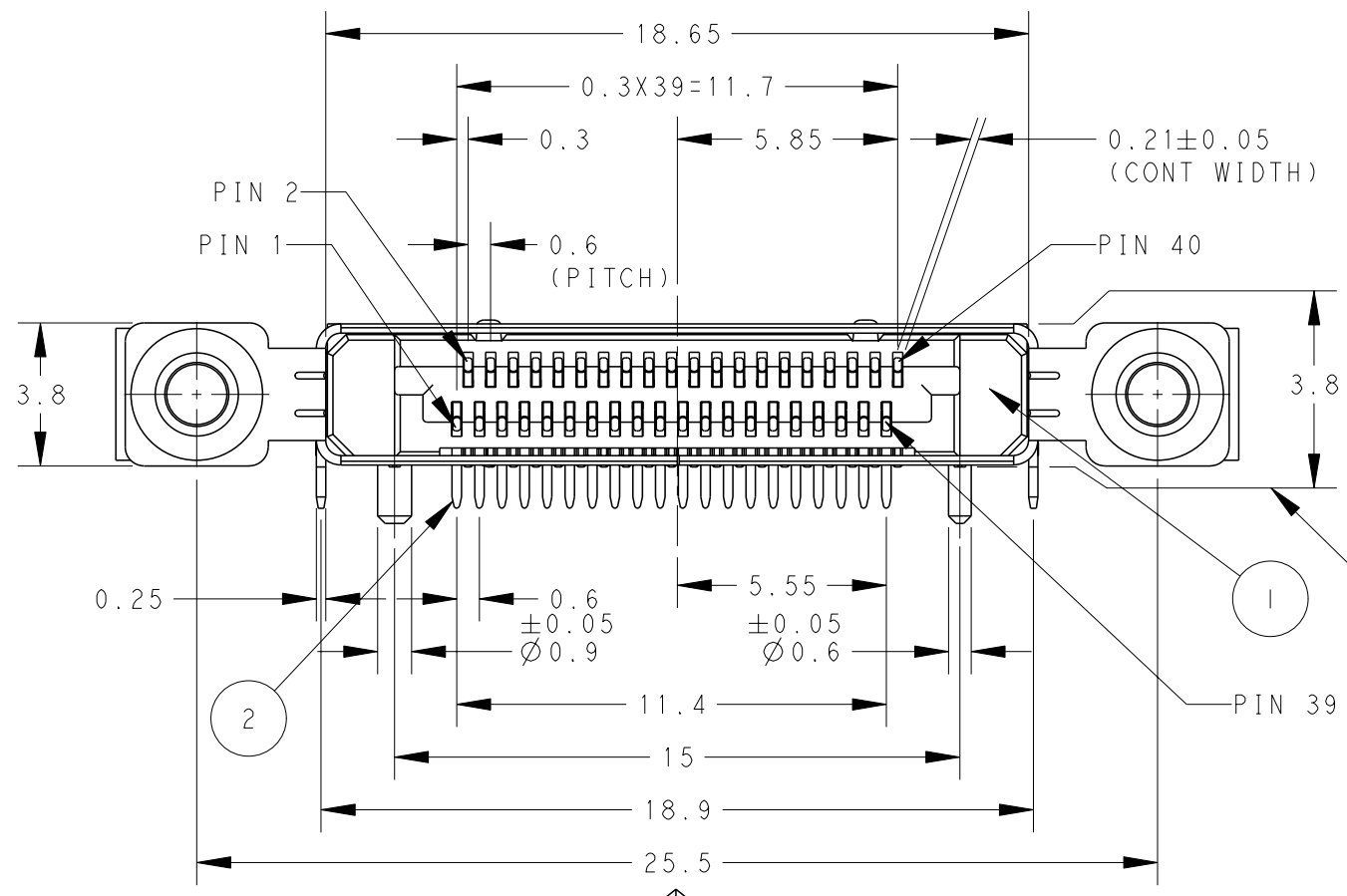
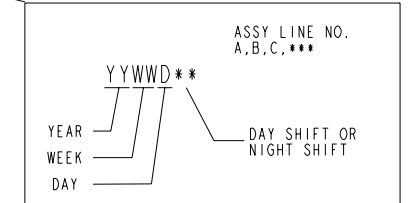
LOC	DIST	REVISIONS			
P	LTR	DESCRIPTION	DATE	DWN	APVD
DW		B	REVISED (ECR-11-013643)	30JUN2011	T.K H.K



2129260-1; AS SHOWN

- ① MATERIAL: HOUSING: THERMO-PLASTIC(UL94V-0, BLACK).
CONTACT: COPPER ALLOY.
SHELL: STAINLESS STEEL.
BRACKET: STAINLESS STEEL.
BUSH: STEEL.
- ② FINISH:
CONTACT: ALL OVER 2um MIN. Ni UNDER PLATING.
0.38um MIN. Au PLATING ON CONTACT AREA.
1~3um Tin PLATING ON TINE AREA.
SHELL: ALL OVER 1.3um MIN. Ni UNDER PLATING.
BUSH: ALL OVER 3um MIN. Ni UNDER PLATING.
- 3. LOW HALOGEN SPECIFICATION
CHLORINE(CI) : 900 ppm MAX.
BROMINE(Br) : 900 ppm MAX.
- ④ DATE CODE

WITH NUT



Q'TY	NAME	ITEM
2	BUSH (M2)	⑤
2	BRACKET	④
1	SHELL	③
40	CONTACT	②
1	HOUSING	①

VIEW A

THIS DRAWING IS A CONTROLLED DOCUMENT.

DWN	T. KUO	31MAR2011
CHK	V. PENG	31MAR2011
APVD	H. KODAMA	31MAR2011
PRODUCT SPEC	108-99033	
APPLICATION SPEC		
WEIGHT	1.39g	

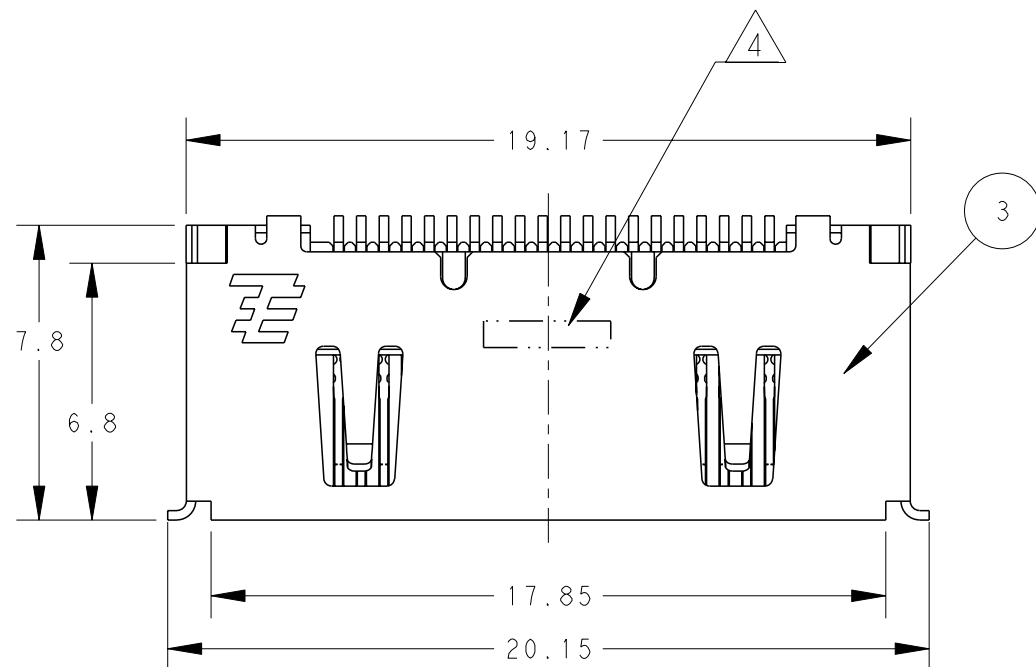
TE Connectivity

RECEPTACLE ASSY, 0.6mm PITCH
CHAMP DOCKING CONNECTOR, 40POS

SIZE	CAGE CODE	DRAWING NO	RESTRICTED TO
A3	00779	C=2129260	

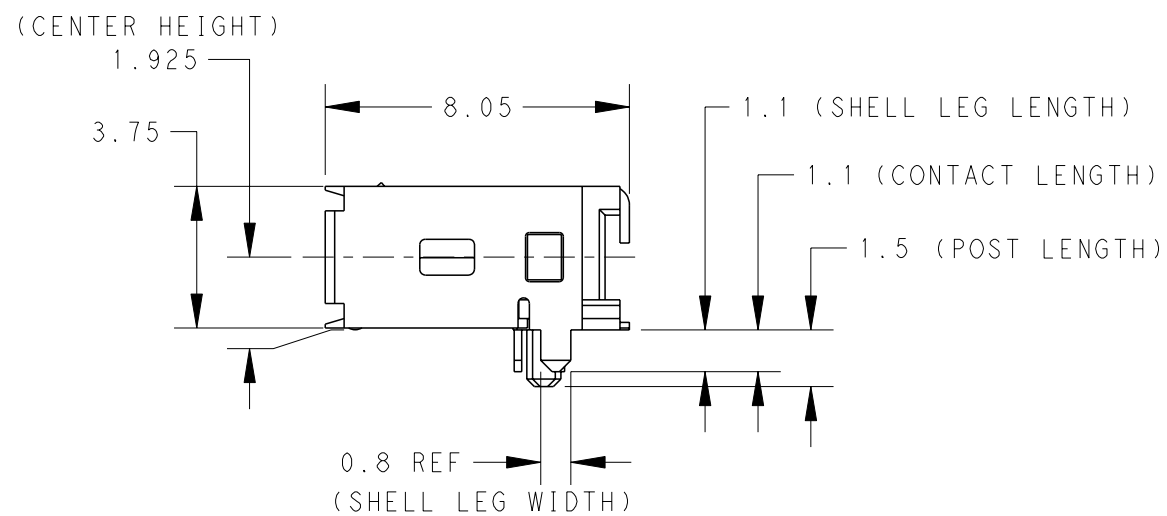
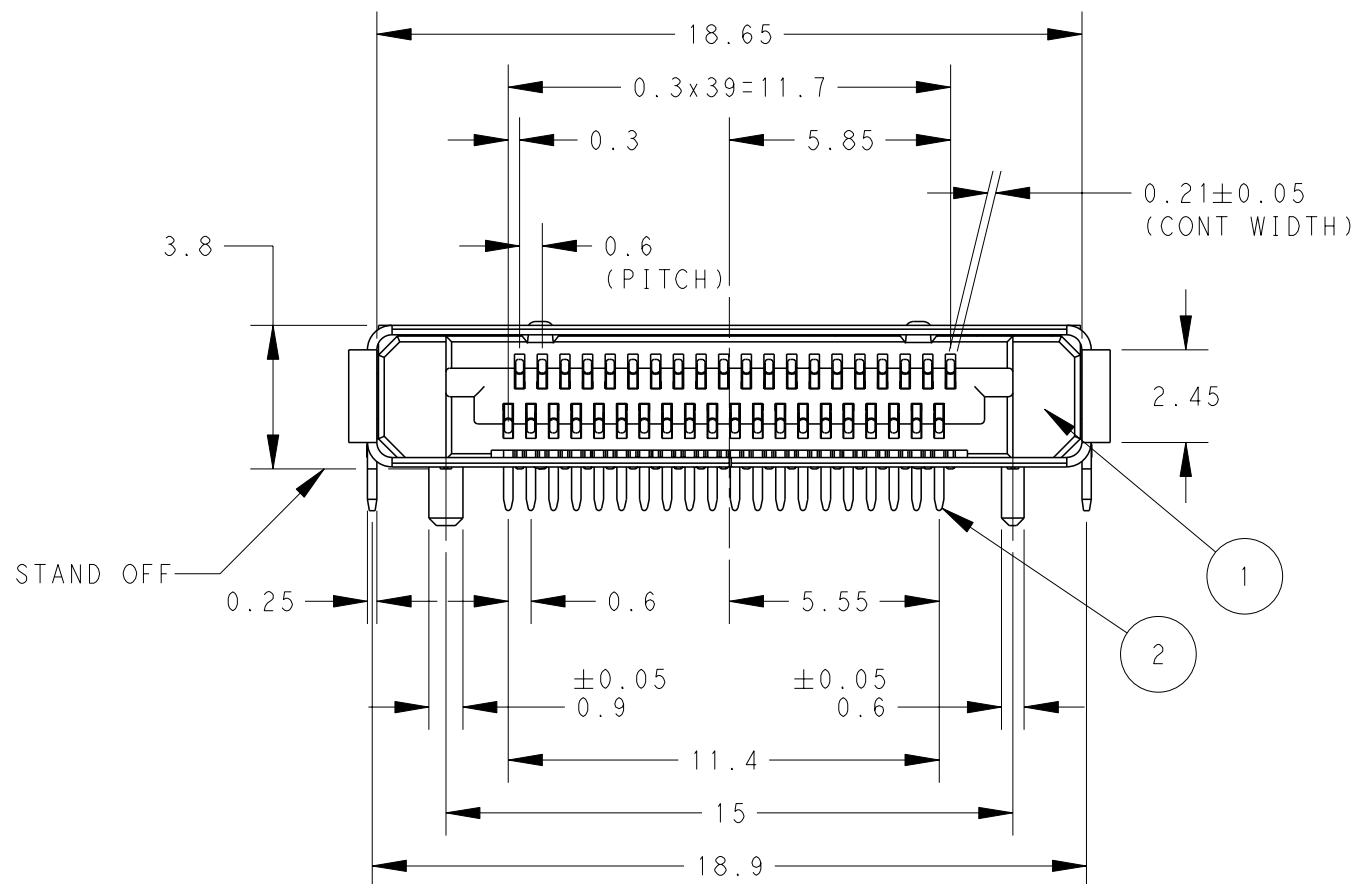
CUSTOMER DRAWING SCALE 5:1 SHEET 1 OF 6 REV B

P	LTR	DESCRIPTION	DATE	DWN	APVD
		SEE SHEET 1			




2129260-2; AS SHOWN

WITHOUT NUT



Q'TY	NAME	ITEM
1	SHELL	③
40	CONTACT	②
1	HOUSING	①

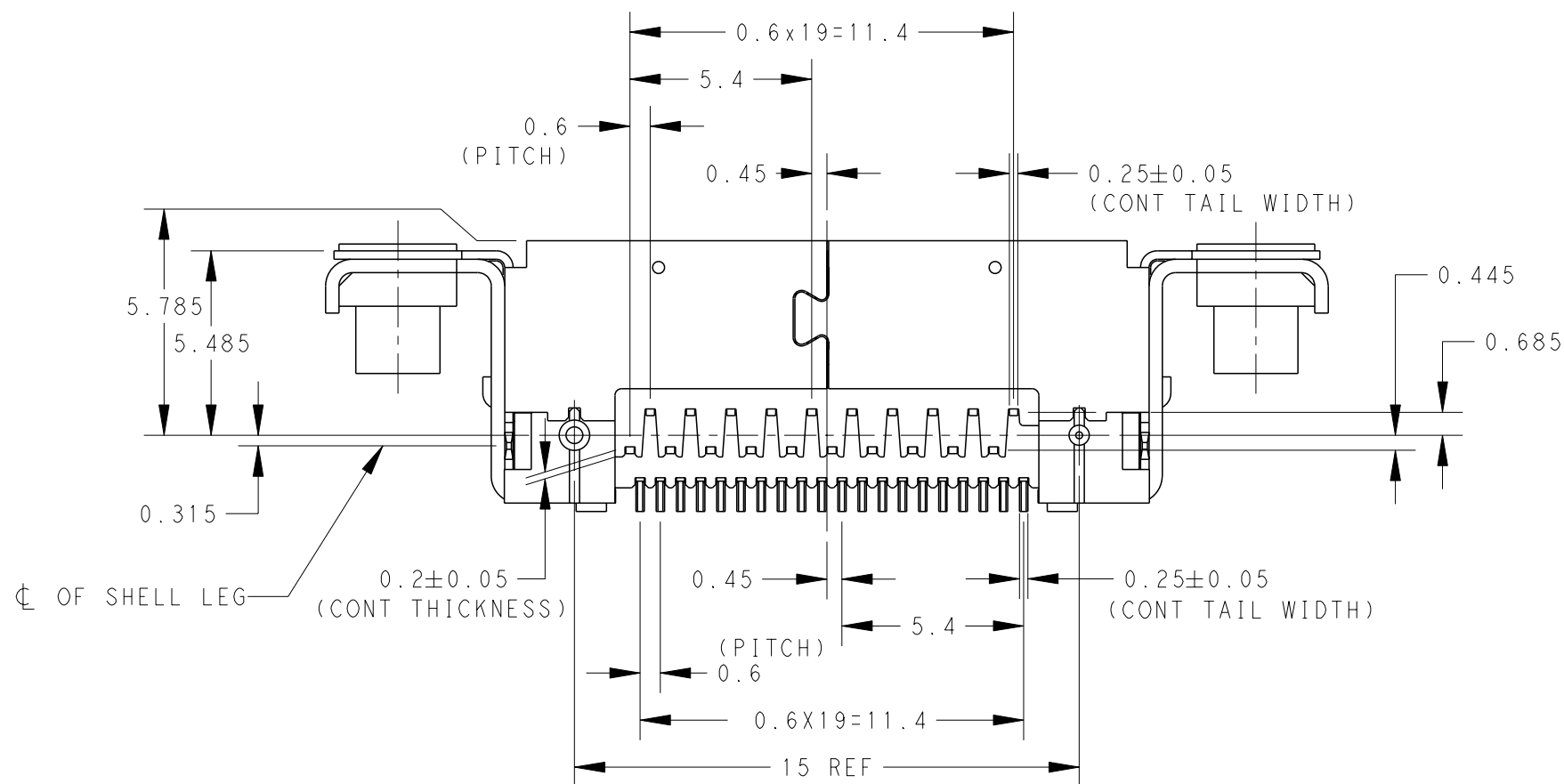
THIS DRAWING IS A CONTROLLED DOCUMENT.		DWN	 TE Connectivity	
DIMENSIONS: mm		CHK		
TOLERANCES UNLESS OTHERWISE SPECIFIED:		APVD		
0 PLC ±- 1 PLC ±- ±0.25 2 PLC ±- ±0.25 3 PLC ±- ±3° 4 PLC ±- ANGLES ±- FINISH -		PRODUCT SPEC		
MATERIAL -		APVD	NAME RECEPTACLE ASSY, 0.6mm PITCH CHAMP DOCKING CONNECTOR, 40POS	
		PRODUCT SPEC	SIZE	CAGE CODE
		APPLICATION SPEC	DRAWING NO A300779C-2129260	
		WEIGHT	RESTRICTED TO	
		0.87g		
CUSTOMER DRAWING		SCALE	SHEET	OF
		5:1	2	6
		REV		
		B		

LOC
DW

DIST

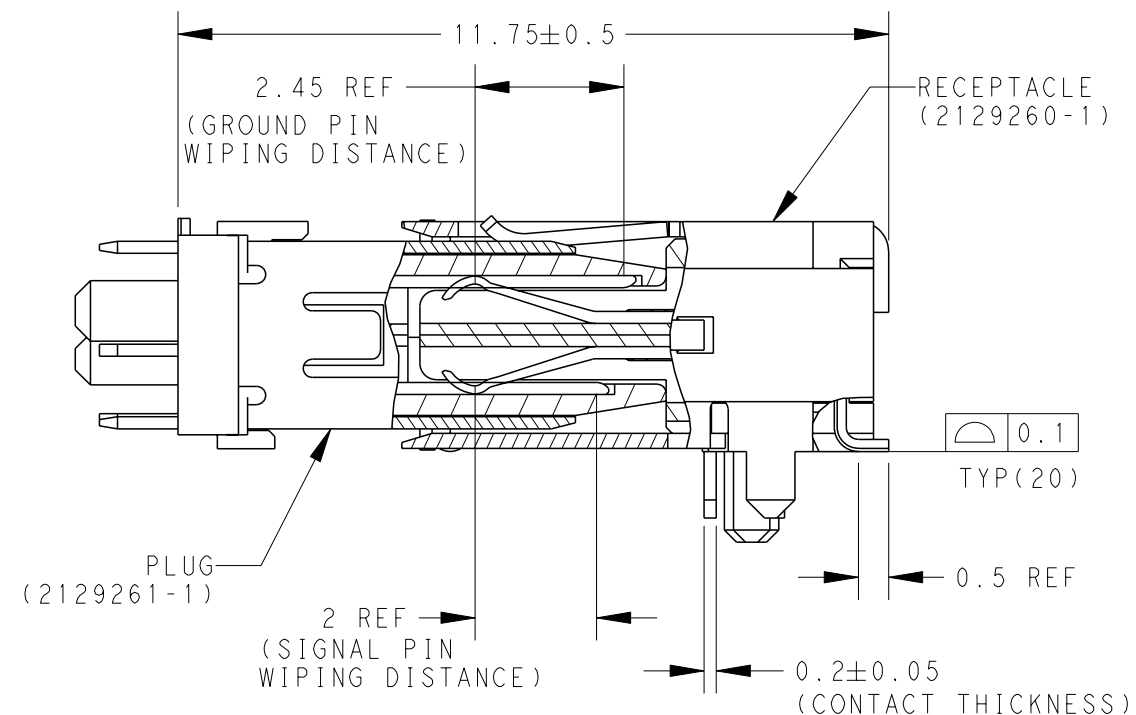
REVISIONS

P	LTR	DESCRIPTION	DATE	DWN	APVD
		SEE SHEET 1			



VIEW A

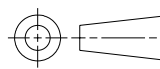
2129260-2 IS SAME AS 2129260-1



MATING CONDITION

THIS DRAWING IS A CONTROLLED DOCUMENT.

DIMENSIONS:
mm



TOLERANCES UNLESS OTHERWISE SPECIFIED:

0 PLC	±	
1 PLC	±	±0.25
2 PLC	±	±3°
3 PLC	±	
4 PLC	±	
ANGLES	±	
FINISH	-	

MATERIAL

DWN	-
CHK	-
APVD	-
PRODUCT SPEC	-
APPLICATION SPEC	-
WEIGHT	-

CUSTOMER DRAWING



TE Connectivity

NAME
RECEPTACLE ASSY, 0.6mm PITCH
CHAMP DOCKING CONNECTOR, 40POS

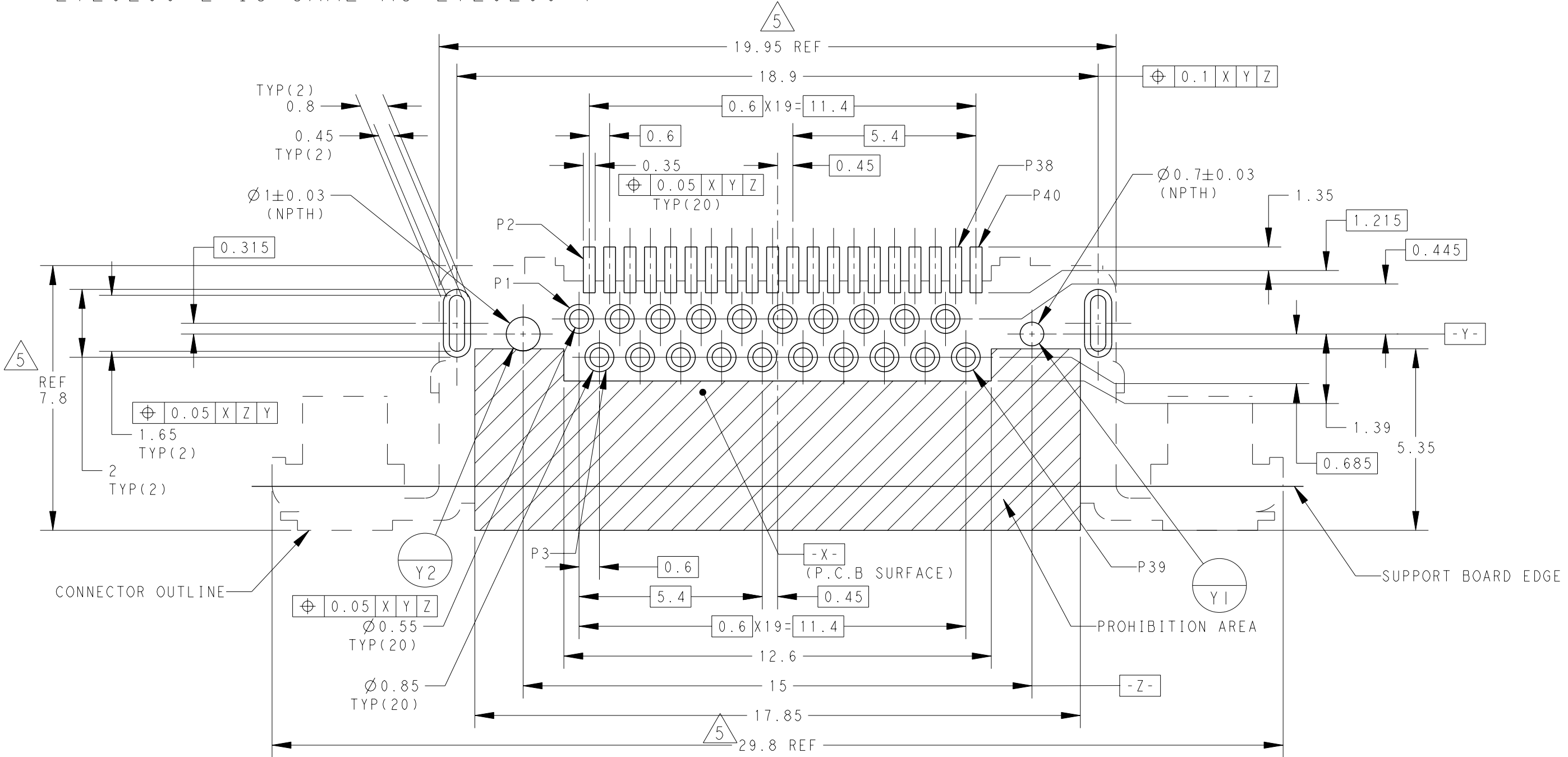
SIZE	CAGE CODE	DRAWING NO	RESTRICTED TO
A3	00779	C=2129260	-

SCALE 5:1 SHEET 3 OF 6 REV B

THIS DRAWING IS UNPUBLISHED. RELEASED FOR PUBLICATION 20
 © COPYRIGHT 20 BY - ALL RIGHTS RESERVED.

LOC	DIST	REVISIONS					
DW		P	LTR	DESCRIPTION	DATE	DWN	APVD
				SEE SHEET 1			

2129260-2 IS SAME AS 2129260-1



RECOMMENDED P.C. BOARD LAYOUT (TOP VIEW)

5 CONNECTOR OUTLINE
 6 SUPPORT BOARD EDGE

THIS DRAWING IS A CONTROLLED DOCUMENT.		DWN		TE Connectivity	
DIMENSIONS: mm		CHK			
TOLERANCES UNLESS OTHERWISE SPECIFIED:		APVD		NAME	
0 PLC ±- 1 PLC ±- ±0.05 2 PLC ±- ±0.05 3 PLC ±- ±3° 4 PLC ±- ANGLES ±- FINISH -		PRODUCT SPEC		RECEPTACLE ASSY, 0.6mm PITCH CHAMP DOCKING CONNECTOR, 40POS	
MATERIAL -		APPLICATION SPEC		SIZE CAGE CODE DRAWING NO RESTRICTED TO	
		WEIGHT		A300779 C=2129260	
CUSTOMER DRAWING		SCALE 8:1		SHEET 4 OF 6 REV B	

4

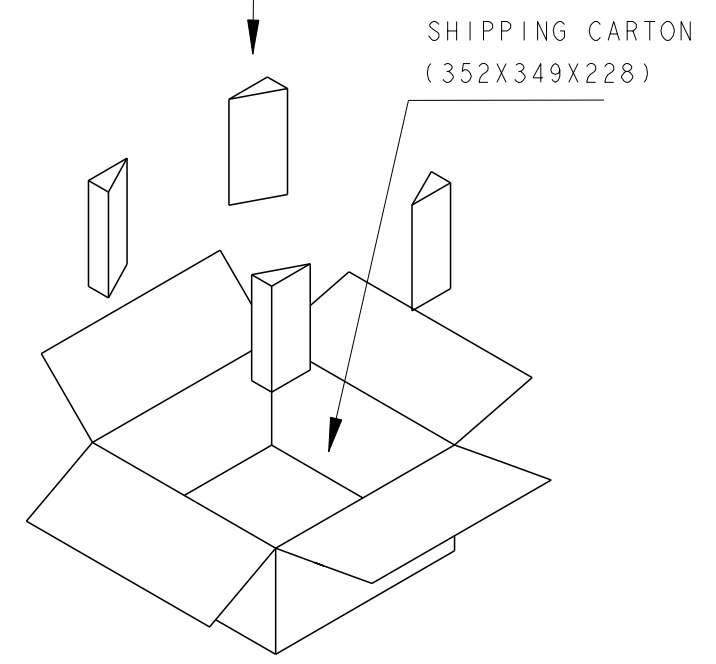
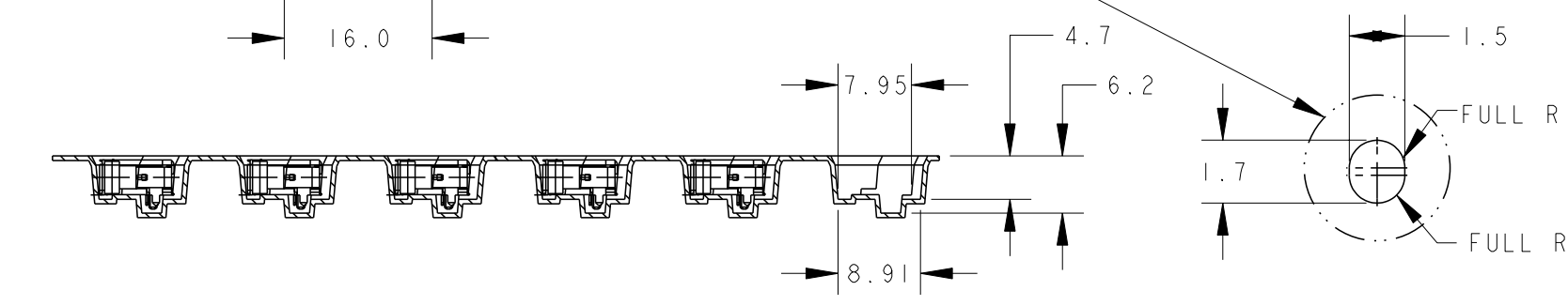
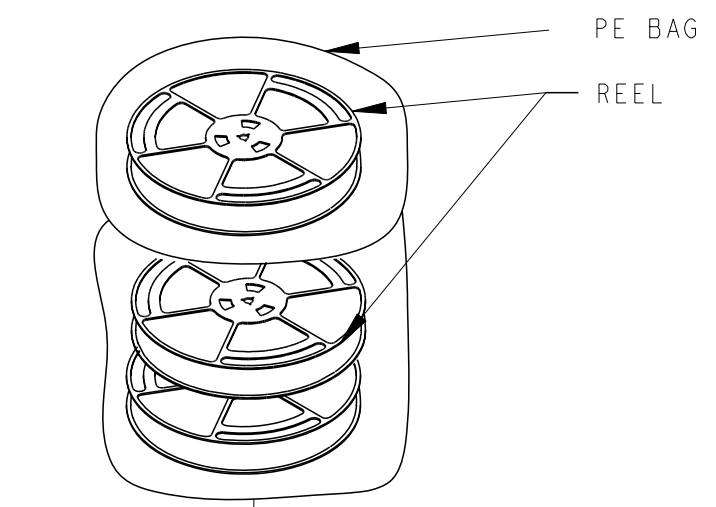
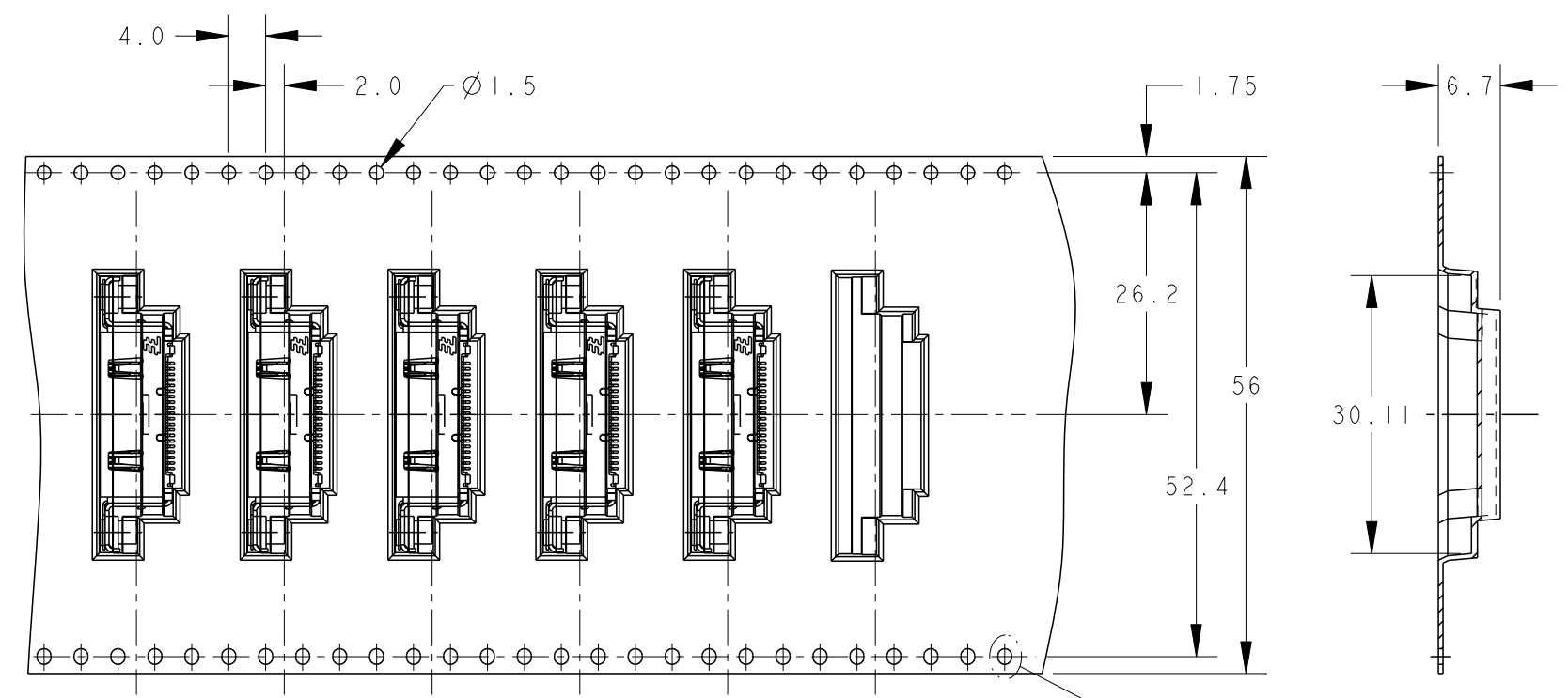
3

2

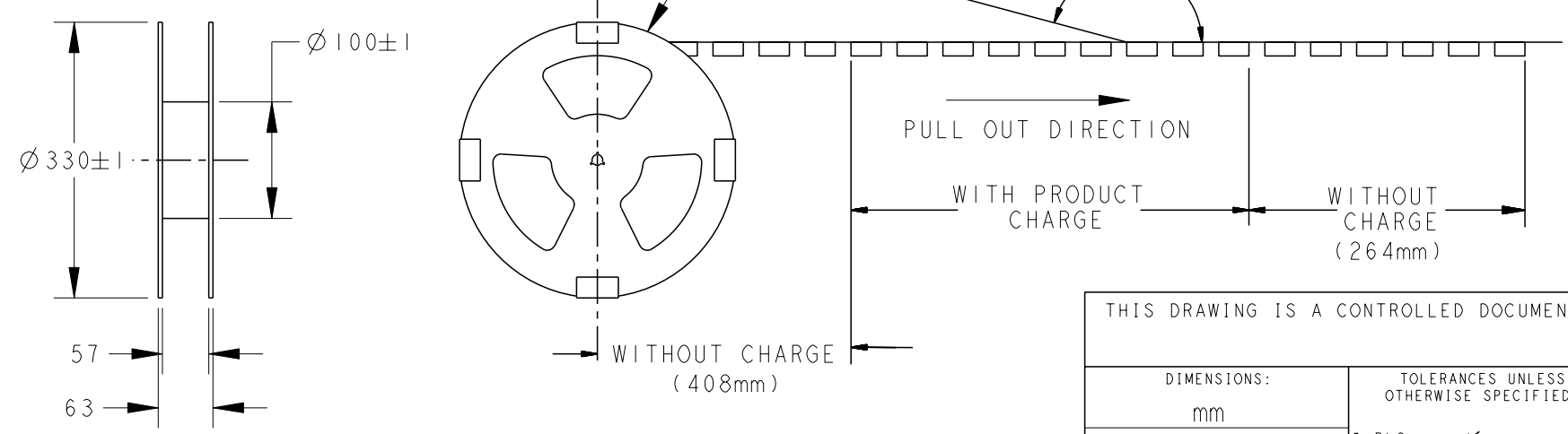
1

THIS DRAWING IS UNPUBLISHED. RELEASED FOR PUBLICATION 20
 © COPYRIGHT 20 BY - ALL RIGHTS RESERVED.

LOC		DIST		REVISIONS			
P	LTR	DESCRIPTION	DATE	DWN	APVD		
DW				SEE SHEET 1			



AROUND THE OUTER PERIPHERY IN A TURN.
 WEEDING THE COVER TAPE
 PEELING ANGLE: 165°~180°



7. PACKING MATERIAL:
 CARRY TAPE: PS; COLOR:BLACK.
 COVER TAPE: PET; COLOR: CLEAR.
 PEELING STRENGTH OF COVER TAPE: 0.2N~1.2N

2129260-1	600	3	1800
P/N	PCS/TAPE	REELS/CARTON	TOTAL QUANTITY

THIS DRAWING IS A CONTROLLED DOCUMENT.

DIMENSIONS: mm	TOLERANCES UNLESS OTHERWISE SPECIFIED:	DWN	-
0 PLC	±	CHK	-
1 PLC	±	APVD	-
2 PLC	± ±0.5	PRODUCT SPEC	-
3 PLC	± ±3°	APPLICATION SPEC	-
4 PLC	±	WEIGHT	-
ANGLES	±	<p>STE TE Connectivity</p> <p>NAME: RECEPTACLE ASSY, 0.6mm PITCH CHAMP DOCKING CONNECTOR, 40POS</p>	
FINISH	-	SIZE	A3
MATERIAL	-	CAGE CODE	00779
		DRAWING NO	C=2129260
		RESTRICTED TO	-

CUSTOMER DRAWING SCALE 5:1 SHEET 5 OF 6 REV B

THIS DRAWING IS UNPUBLISHED.

RELEASED FOR PUBLICATION

20

© COPYRIGHT 20 BY -

ALL RIGHTS RESERVED.

LOC
DW

DIST

REVISIONS

P

LTR

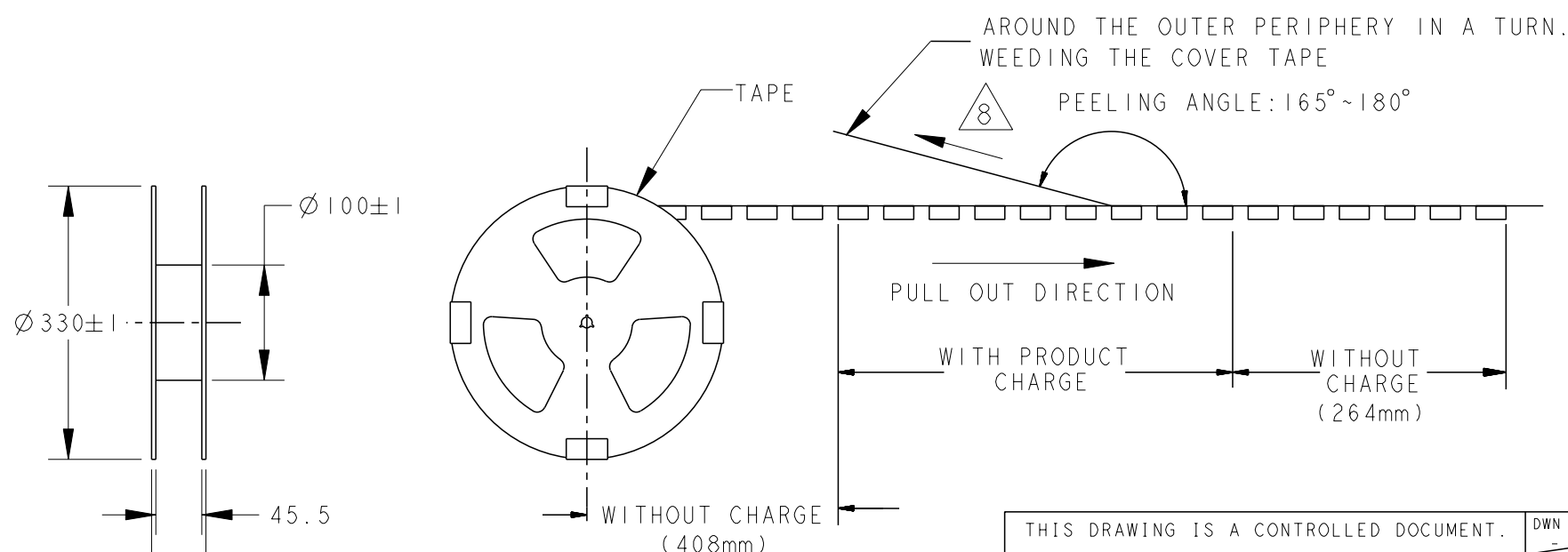
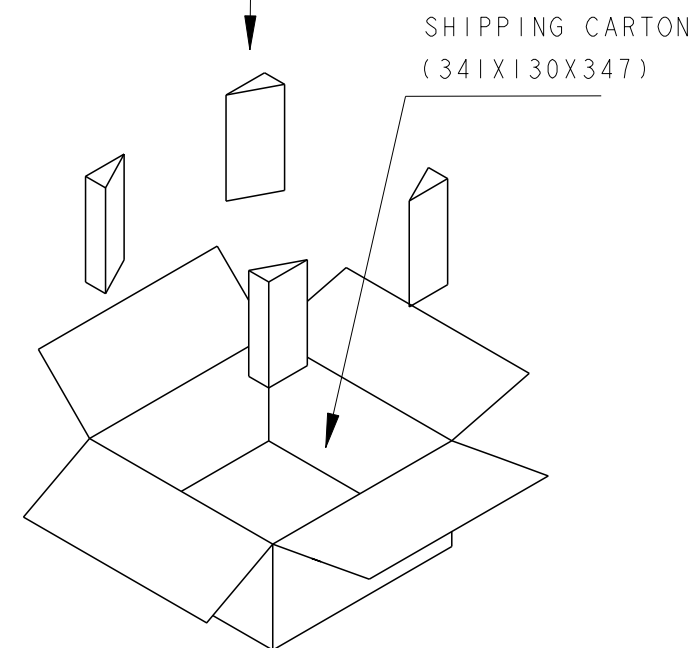
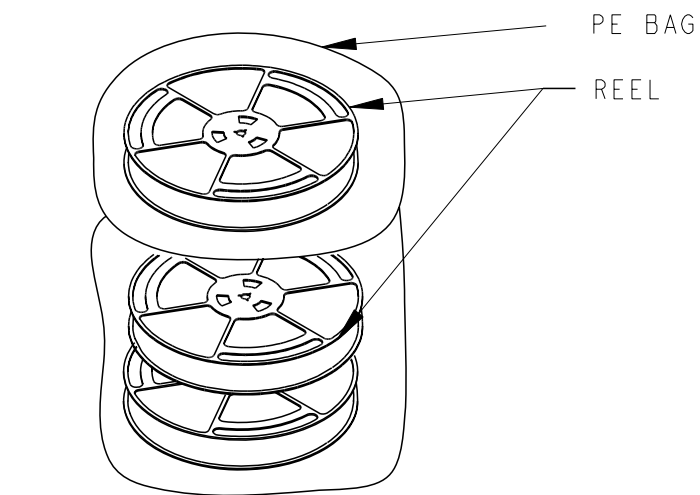
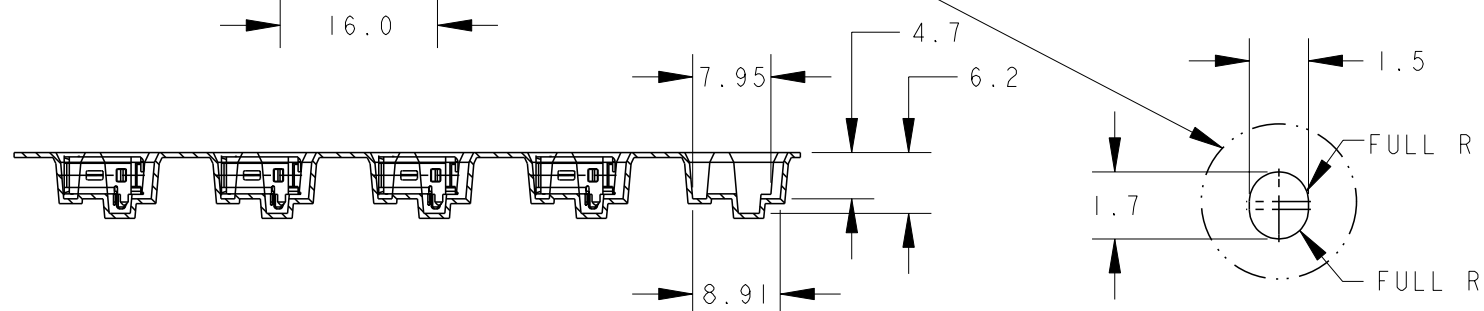
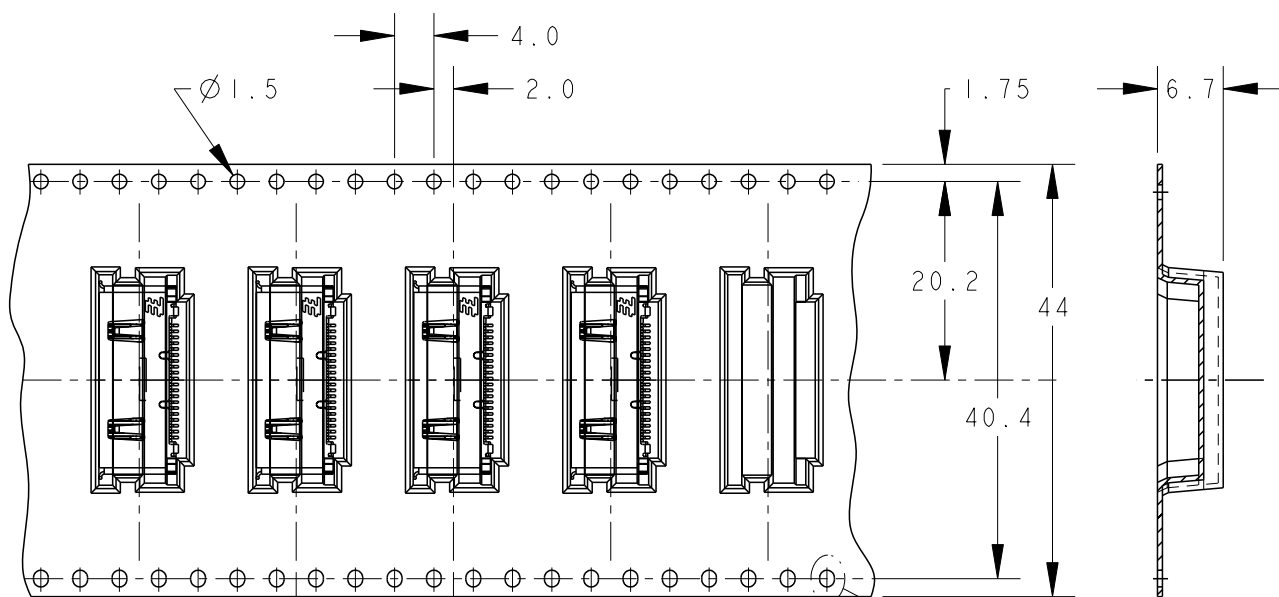
DESCRIPTION

DATE

DWN

APVD

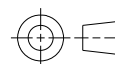
SEE SHEET 1



2129260-2	600	2	1200
P/N	PCS/TAPE	REELS/CARTON	TOTAL QUANTITY

THIS DRAWING IS A CONTROLLED DOCUMENT.

DIMENSIONS:
mm



TOLERANCES UNLESS OTHERWISE SPECIFIED:

0 PLC	±	
1 PLC	±	±0.5
2 PLC	±	±3°
3 PLC	±	
4 PLC	±	
ANGLES	±	
FINISH	-	

MATERIAL

DWN	-
CHK	-
APVD	-
PRODUCT SPEC	-
APPLICATION SPEC	-
WEIGHT	-

STE TE Connectivity

RECEPTACLE ASSY, 0.6mm PITCH
CHAMP DOCKING CONNECTOR, 40POS

SIZE	CAGE CODE	DRAWING NO	RESTRICTED TO
A3	00779	C=2129260	-

CUSTOMER DRAWING SCALE 5:1 SHEET 6 OF 6 REV B