

# PRODUCT DATASHEET

## Lena series

last update 23/2/2014

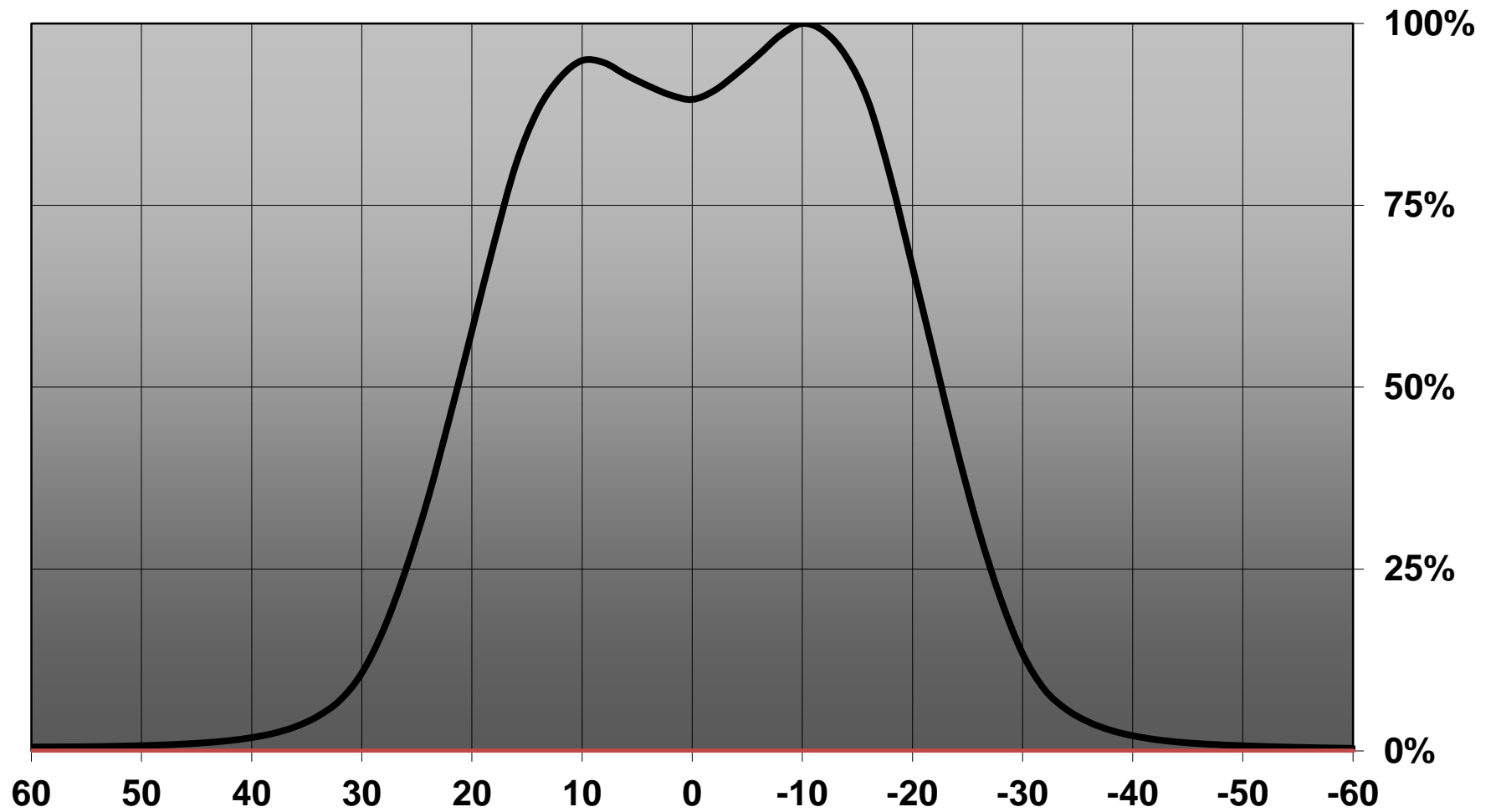
## DETAILS

Product Number	CN13339_LENA-W-DL
Family	Lena
Type	RefPack
Color	metal
Diameter	111 mm
Height	88,9 mm
Style	round
Optic Material	PC
Holder Material	
Fastening	screw, socket
Status	production ready
ROHS Comliant	Yes
Date Updated	23/02/2014

## OPTICAL PROPERTIES

LED	Viewing Angle	Light Beam	Efficiency	cd/lm	Connector
CXA/B 25xx	44 deg	Wide	76 %	1.300	-

Relative intensity of CN13339\_LENA-W-DL-CXA25



D

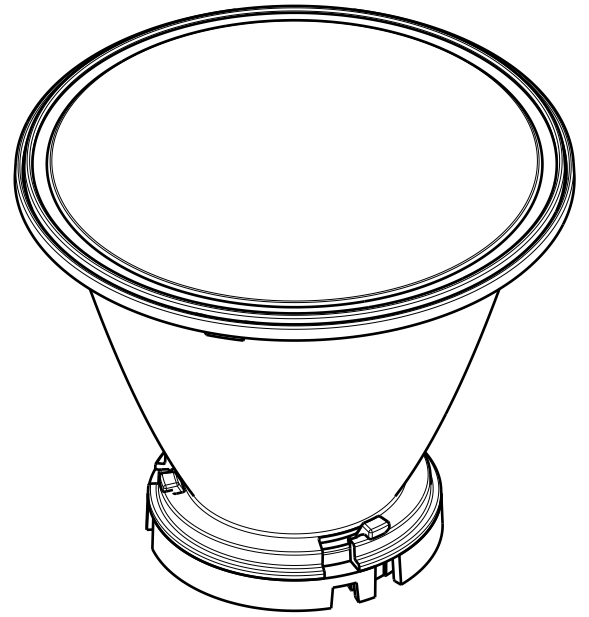
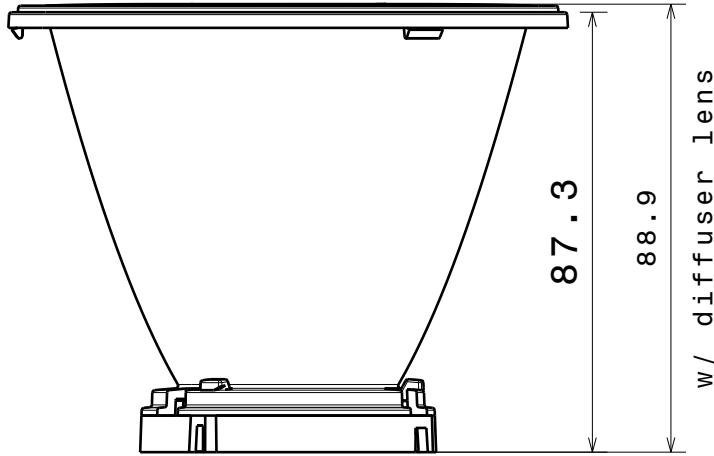
C

B

A

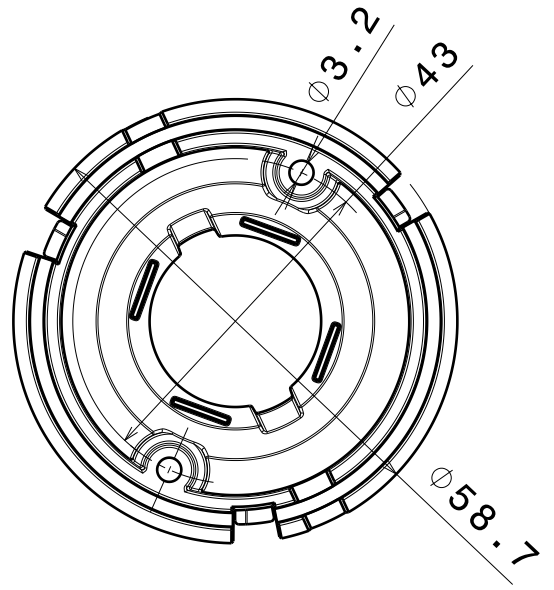
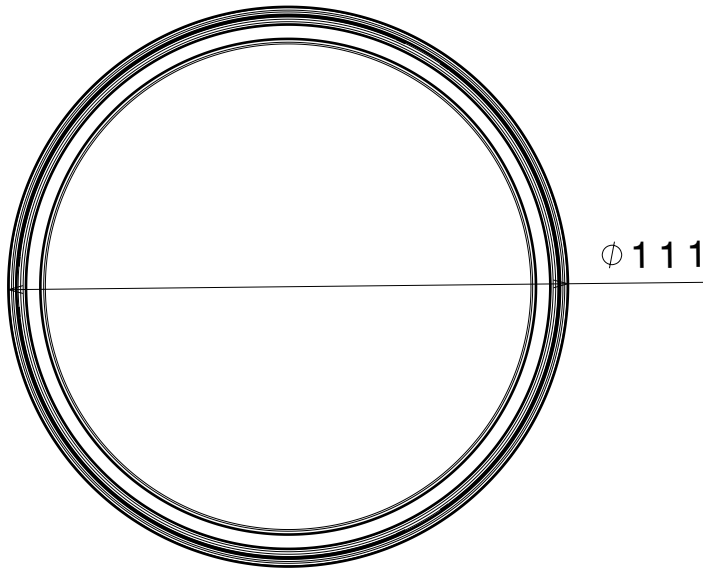
4

4



3

3



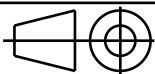
2

2

Tolerances if not otherwise shown  
According to DIN ISO 2768-1  
Linear measures:  
Up to 30mm class M, otherwise class C.  
According to DIN ISO 2768-2  
Form and position: class L

**LEDiL** LediL Oy  
Salorankatu 10  
FIN 24240 SALO  
Finland

THIRD ANGLE PROJECTION:



DRAWING TITLE

LENA-CXA25

This drawing is the property  
of LEDiL Oy. It may not be  
reproduced, copied or  
communicated without a written  
agreement with LEDiL Oy.

SIZE PART NUMBER  
A4

SCALE 2:3 WEIGHT - g SHEET 1/1

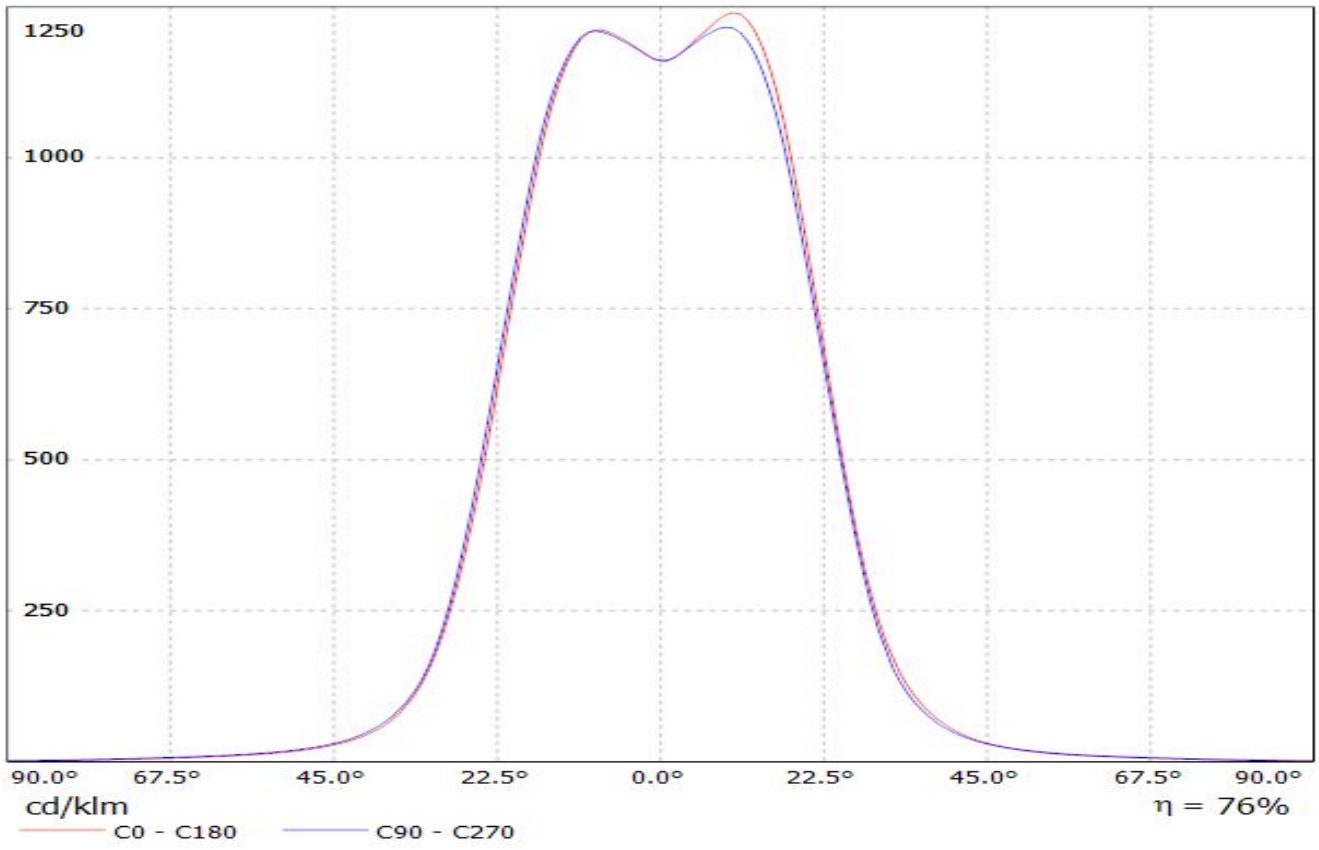
D

A

1

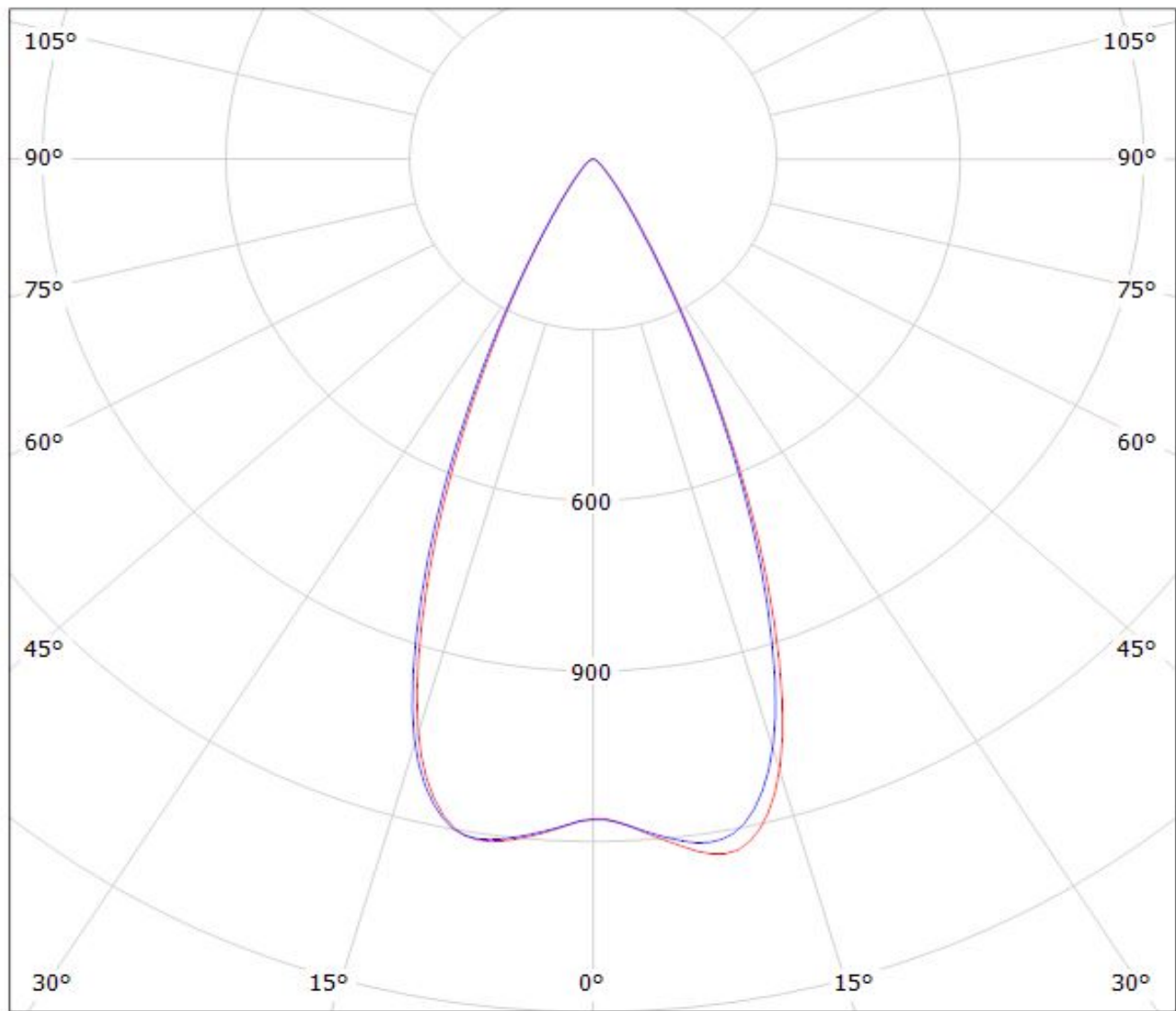
1

Luminaire: LEDiL Oy CN13339\_LENA-W-DL\_(CXA25) Eff.76%  
Lamps: 1 x CREE\_CXA25\_(2520-7A-N4-N0U) 852.7lm@250mA CCT=3000K P=8.57407W I=249.9mA



Luminaire: LEDiL Oy CN13339\_LENA-W-DL\_(CXA25) Eff.76%

Lamps: 1 x CREE\_CXA25\_(2520-7A-N4-N0U) 852.7lm@250mA CCT=3000K P=8.57407W I=249.9mA



cd/klm

— C0 - C180

— C90 - C270

$\eta = 76\%$

**NOTE: The typical divergence will be changed by different color, chip size and chip position tolerance. The typical total divergence is the full angle measured where the luminous intensity is half of the peak value.**