

4

3

2

1

D

D

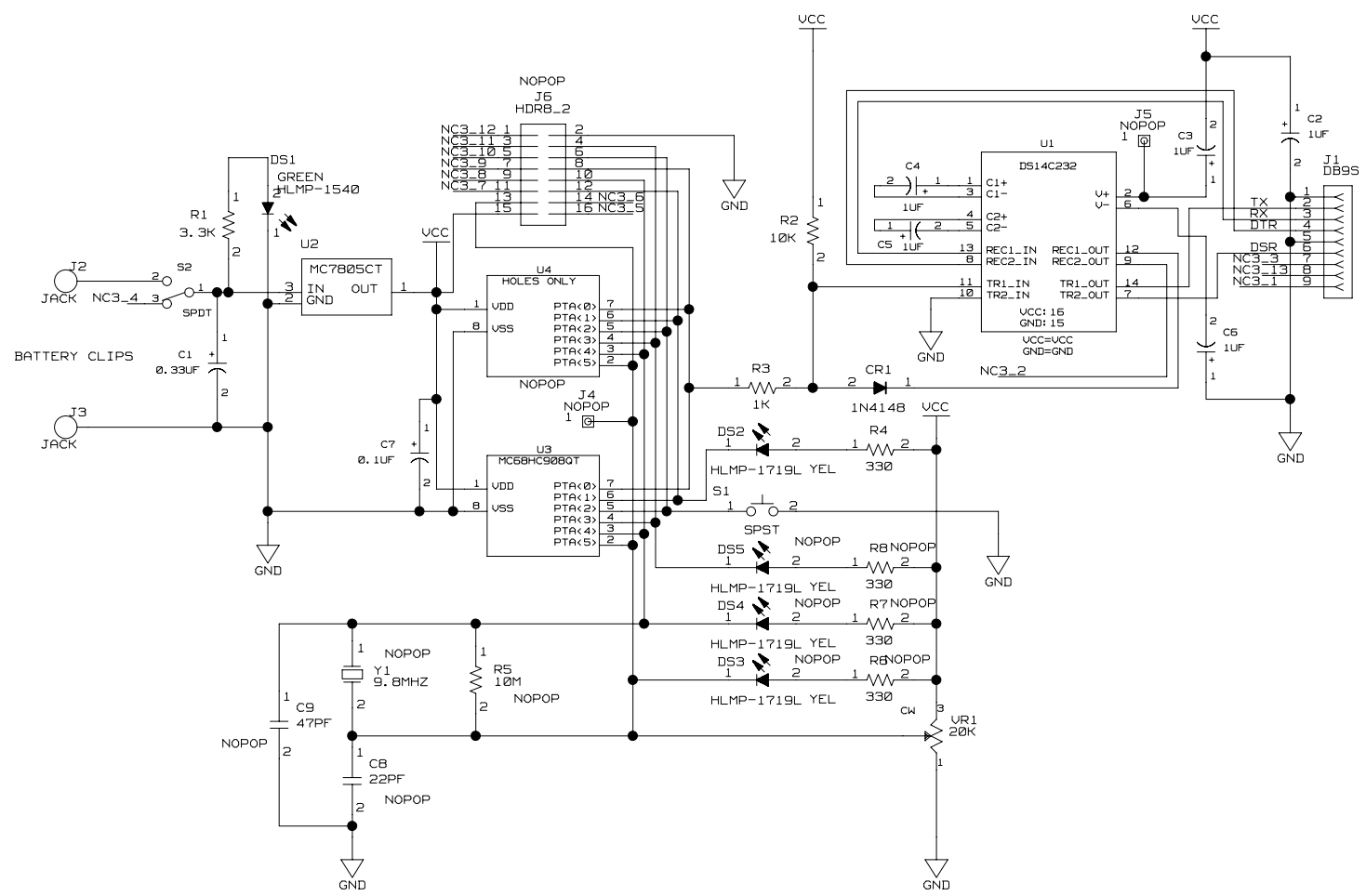
C

C

B

A

A



BOARD CIRCUIT

NOTE: ALL COMPONENTS ARE THRU-HOLE UNLESS OTHERWISE SPECIFIED.

SIZE A	NAME: rev_0 ROOT: rev_0	DRAWING NO. 63A110285	REV: 0
LAST_MODIFIED=Mon Jun 24 15:53:46 2002		SHEET 3 OF 3	

DWG. NO. 63A110285

REV: 0

4

3

2

1