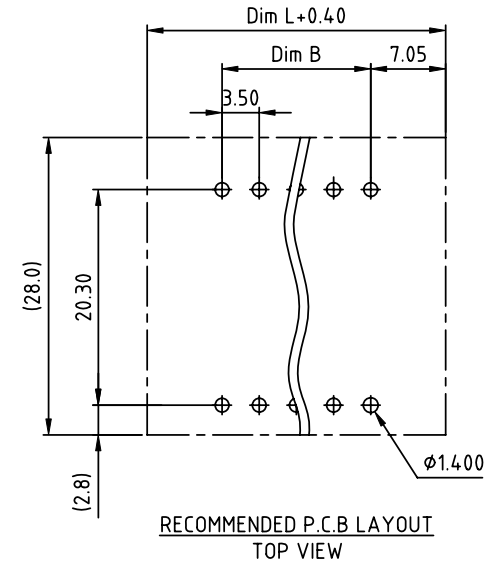
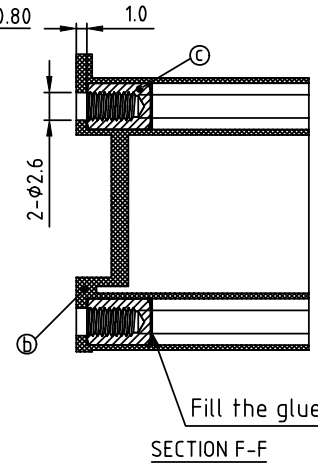
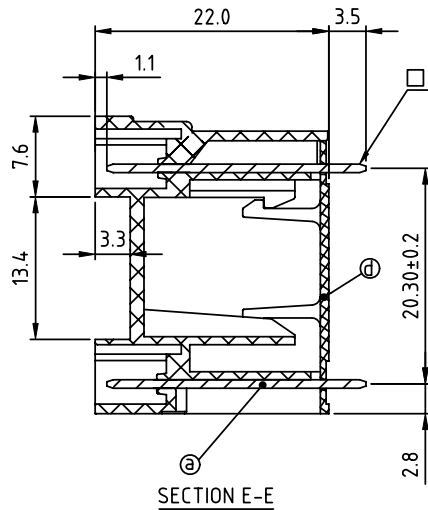
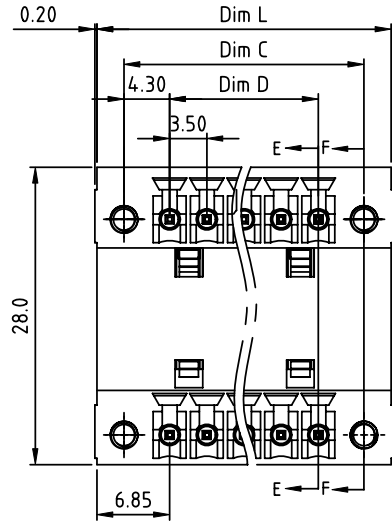


PRODUCT NUMBER	PITCH
VLxx12x000J0G	3.50 mm



- Material:
- Item ⓐPin: Copper Tin plated
 - Item ⓑTerminal(housing): Thermoplastic (UL94V-0)
 - Item ⓒWith flange nut: Brass,M2.5
 - Item ⓓTerminal(cover): Thermoplastic (UL94V-0)
- Electrical: cULus
- Voltage rating: 300V
 - Current rating: 10A
 - Withstanding Voltage: 1.6 KV
 - Operating temperature: -40°C to +115°C
 - Soldering temperature: 260°C±5°C/5 Sec
 - Safety Approval:

N=Number of poles
 Dim L=(N/2-1)×3.5+13.7
 Dim C=(N/2-1)×3.5+8.6
 Dim D=(N/2-1)×3.5

Poles	Tolerance
2x2p-2x4p	±0.15
2x5p-2x8p	±0.20
2x9p-2x13p	±0.25
2x13p-2x17p	±0.30
2x18p-2x24p	±0.35

PART NO.: VL xx 1 2 x 0 00J0 G

		Color	RoHS compliant
Solid block	0	Black (RAL9005)	(lead<4%)
No. of poles	2	Red (RAL3001/D)	In copper Alloy
04	2x2poles	3 Orange(RAL2011/P)	
06	2x3poles	4 Yellow(RAL1018/A)	
...	...	5 Green(RAL6018/T)	
48	2x24poles	6 Blue (RAL5015/A)	
		8 Grey(RAL7035/D)	
		9 White(RAL1102)	
		C Green(RAL6018/U)	

mat'l. code		surface ASME Y14.5	tolerance ASME Y14.5	projection 	product family TERMINAL BLOCK
ltr	ecn no	dr	date	tolerances unless otherwise specified	title TERMINAL BLOCK
				angles φ X°±1°	PLUGGABLE SOCKET, WITH FLANGE, VERTICAL
				scale	MM
dr	EVIN ZHONG	042514			dwg no VLxx12x000J0G
enr	EVIN ZHONG	042514			sheet 1 of 1
chr	HANKE FENG	042514			size A4
appd	SHI JUN	042514		type CUSTOMER Drawing	
sheet index	revision sheet	A	1		