

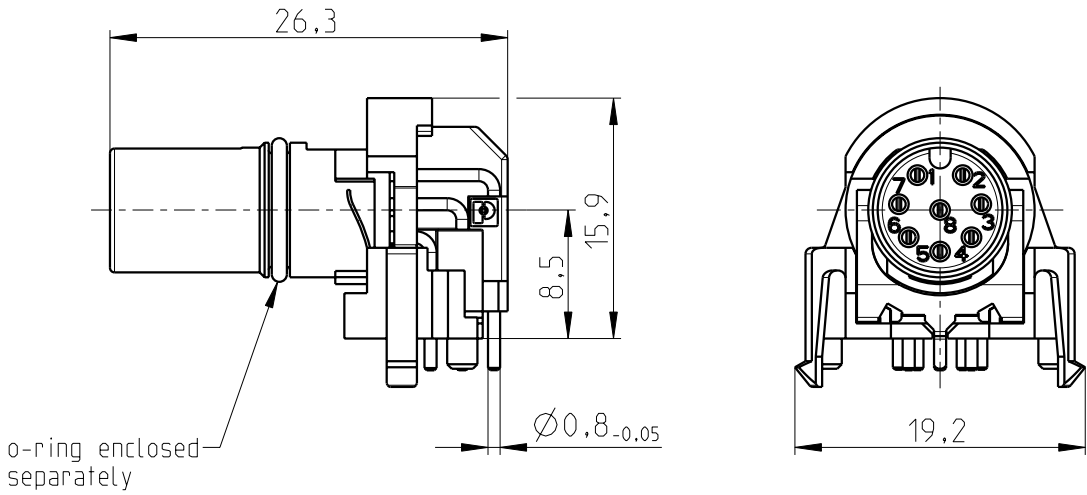
The copying, distribution and utilization of this document as well as the communication of the contents to others without expressed authorization is prohibited according to §18 UWG German Law. Offenders will be held liable for the payment of damages according to §19 UWG German Law. All rights reserved, in particular the right to carry out patent, utility model or ornamental design registrations.

Weitergabe sowie Vervielfältigung dieses Dokuments, Verwertung und Mitteilung seines Inhalts gem §18 UWG verboten, soweit nicht ausdrücklich gestattet. Zuwiderhandlungen verpflichten zu Schadensersatz (§19 UWG). Alle Rechte vorbehalten, insbesondere das Recht, Patent-, Gebrauchsmuster- oder Geschmacksmusteranmeldungen durchzuführen. CONINVERS GmbH Heisenbergstrasse 1 D-71083 Herrenberg

Mechanical data (according to IEC 61076-2-101)		Material	
no. of poles / coding	8 / A (with shield connection)	contacts / surface	CuZn with gold layer
contact termination	dip solder / socket	contact carrier colour	PA6T/66 black
contact- \varnothing	8x \varnothing 0.8mm	sealing gasket	FKM
temperature range	-40 °C to +85 °C		
protection class	IP67		
mating cycles	>100		

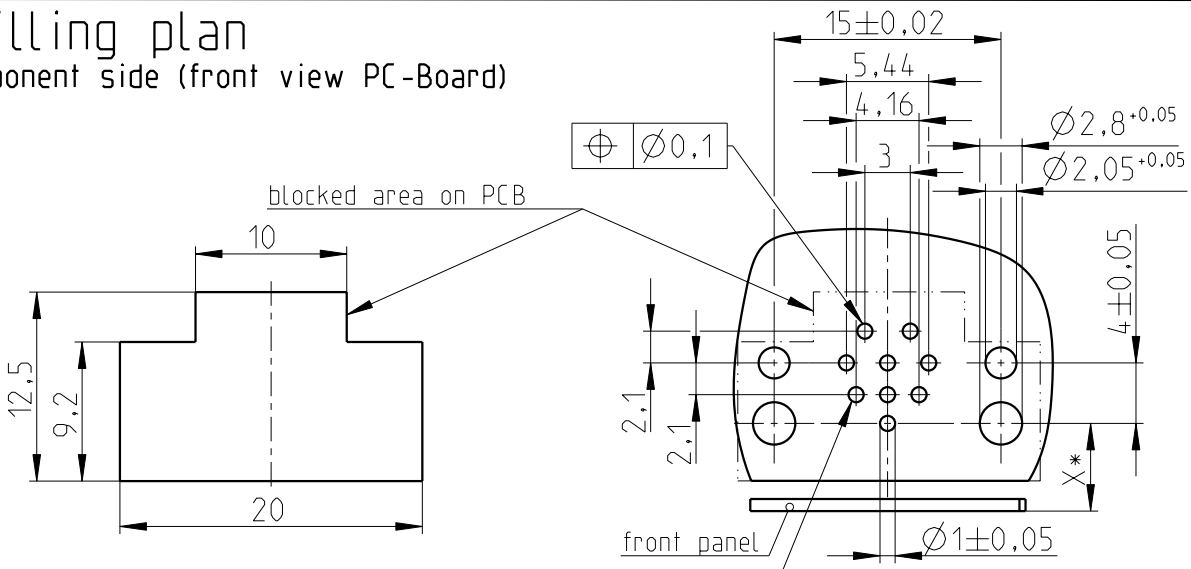
further information:
- see technical data M12-3

While mounting the insulating body with o-ring into the housing, the axial mounting force on each connector shouldn't be higher than 80N. Avoid radial forces!



All specified data refers to the mounted M12 installation plugs >IP54 and requires that the connector pair be correctly plugged and locked. Influences from wires, cables or PCB mounting are also to be taken into consideration.

drilling plan component side (front view PC-Board)



Design of the solder holes provided by the customer, according to solder - process (THR, wave)

* measure X depends on the installed housing, see installation recommendation of the housing series M12 DSIV

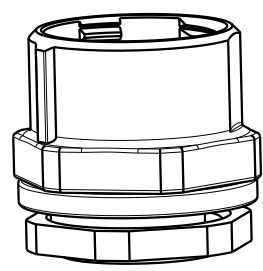
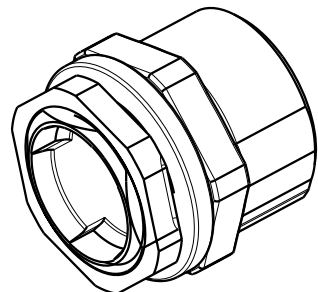
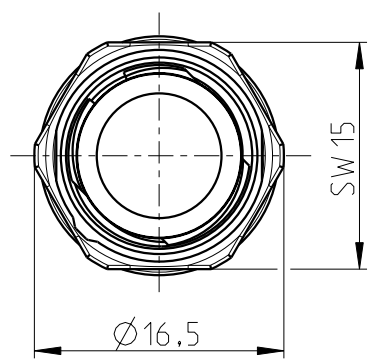
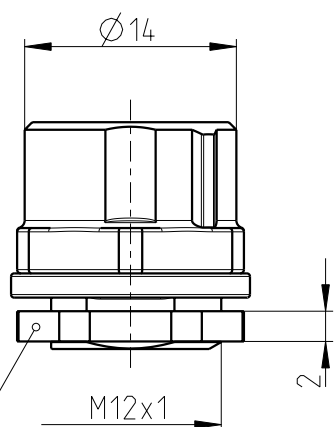
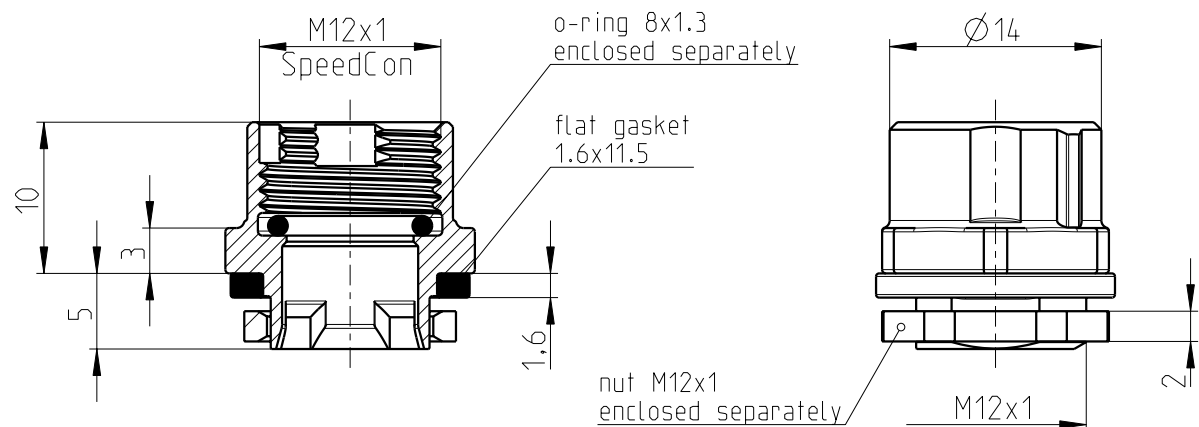
general tolerance acc. to DIN ISO 2768-c		technical changes reserved		Index 1 / 2012-07-06		scale: 2:1	
design	date	Series DSIV					
chk.	name	M12-installation plug angled					
		8-pole socket/A-coding/shield connection/SCO/flat gasket				page: 1 of: 2	
		drawing-no.:	BS-08S2NF2M400	doc.-no.:	00671440		
		order-no.:	1437025				
		article designation:	SACC-DSIV-FS-8CON-L90 SH SCO				

The copying, distribution and utilization of this document as well as the communication of the contents to others without expressed authorization is prohibited according to §18 UWG German Law. Offenders will be held liable for the payment of damages according to §19 UWG German Law. All rights reserved, in particular the right to carry out patent, utility model or ornamental design registrations.

Weitergabe sowie Vervielfältigung dieses Dokuments, Verwertung und Mitteilung seines Inhalts gem §18 UWG verboten, soweit nicht ausdrücklich gestattet. Zuwiderhandlungen verpflichten zu Schadensersatz (§19 UWG). Alle Rechte vorbehalten, insbesondere das Recht, Patent-, Gebrauchsmuster- oder Geschmacksmusteranmeldungen durchzuführen. CONINVERS GmbH Heisenbergstrasse 1 D-71083 Herrenberg

Mechanical data (according to IEC 61076-2-101)	
Locking thread	M12 SPEEDCON
Material	
flange housing	GD-Zn, nickel-plated
sealing gasket	HNBR, EPDM
nut	brass, nickel-plated
temperature range	-40 °C to +85 °C

further information:
- see installation recommendation SACC-M12-SCO NUT IC



All specified data refers to the mounted M12 installation plugs \geq IP54 and requires that the connector pair be correctly plugged and locked. Influences from wires, cables or PCB mounting are also to be taken into consideration.

general tolerance acc. to DIN ISO 2768-c		technical changes reserved		Index 1 / 2012-07-06		scale: 2:1	
design	date	name		Series DSIV M12-installation plug angled 8-pole socket/A-coding/shield connection/SCO/flat gasket			
chk.	2012-07-06	Thumm					
		drawing-no.:	BS-08S2NF2M400		doc.-no.:	00671440	
		order-no.:	1437025				
		article designation:	SACC-DSIV-FS-8CON-L90 SH SCO				

page: 2 of: 2