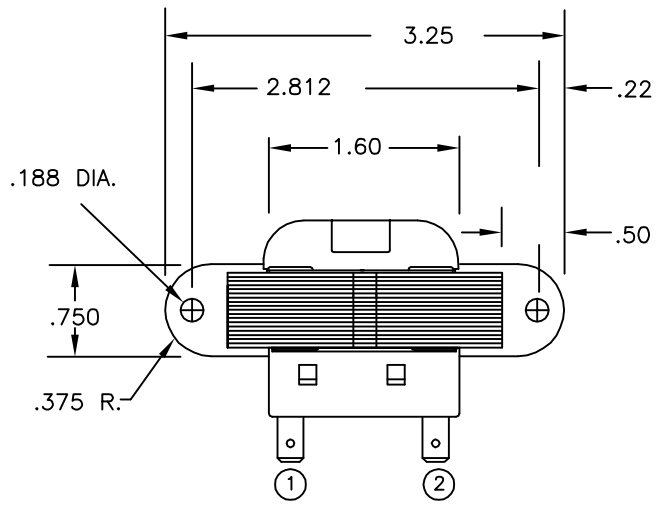


THIS DRAWING IS UNPUBLISHED. RELEASED FOR PUBLICATION  
 © COPYRIGHT BY TYCO ELECTRONICS CORPORATION. ALL RIGHTS RESERVED.

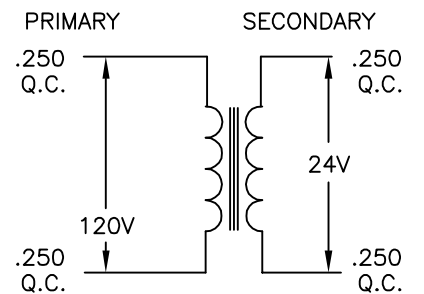
LOC	DIST	REVISIONS		
GZ	00	P	LTR	DESCRIPTION
		B		EC0720-0094-03
				DATE
				17OCT03
				DWN
				MD
				APVD
				KH



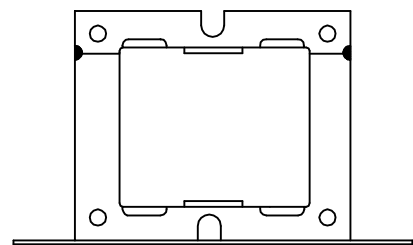
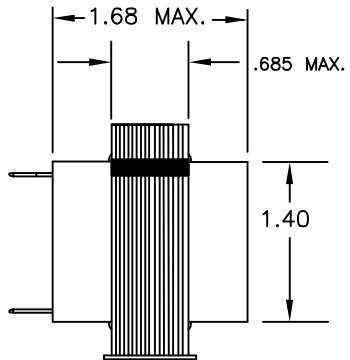
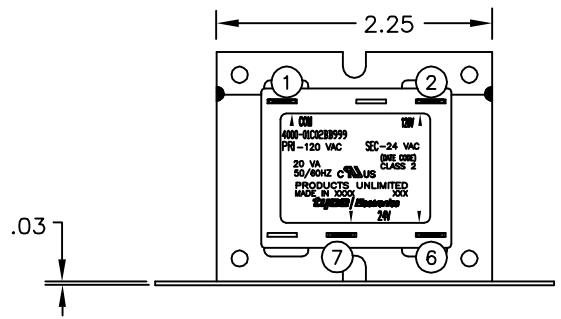
PRIMARY			
TERMINAL NO.	1	2	3
VOLTAGE	COM	120	
TERMINAL WIDTH	.250	.250	
TERMINAL THICKNESS	.032	.032	

- NOTES
1. DIMENSIONS FOR REFERENCE ONLY.
  2. WINDING PROTECTION—INHERENTLY LIMITING

SECONDARY		
TERMINAL NO.	6	7
VOLTAGE	24	VAC
TERMINAL WIDTH	.250	.250
TERMINAL THICKNESS	.032	.032



ALL Q.C. .250 X .032



TYCO PART NUMBER  
1-1611449-0

THIS DRAWING IS A CONTROLLED DOCUMENT.		DWN M.DAVIS 12SEP03	Tyco Electronics Corporation Harrisburg, PA, 17105	
DIMENSIONS: INCHES		CHK W.SORAH 12SEP03	Transformer Outline P.U. STOCK	
TOLERANCES UNLESS OTHERWISE SPECIFIED:		APVD W.SORAH 12SEP03	NAME	
0 PLC ± -		PRODUCT SPEC	SIZE	
1 PLC ± -		APPLICATION SPEC	CAGE CODE	
2 PLC ± -		WEIGHT	DRAWING NO	
3 PLC ± -		CUSTOMER DRAWING	RESTRICTED TO	
4 PLC ± -			A3 00779 C-4000-01C02BB999	
ANGLES ± -			SCALE NTS SHEET 1 OF 1 REV B	
MATERIAL				
FINISH				