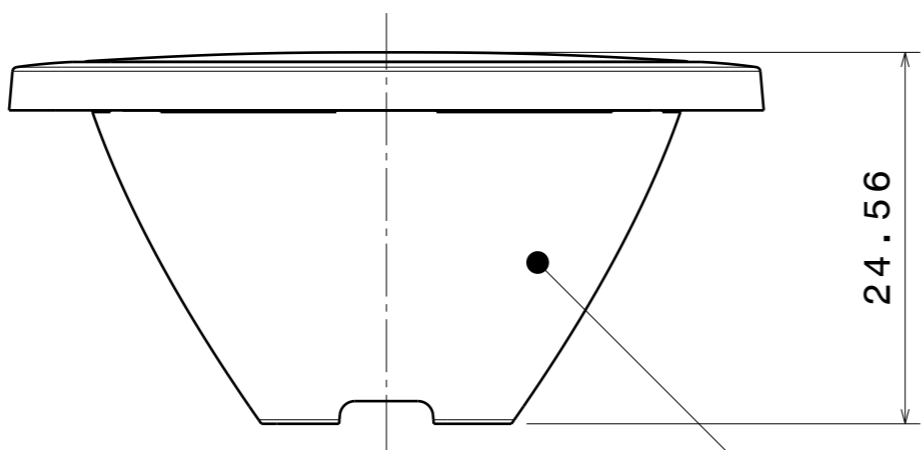


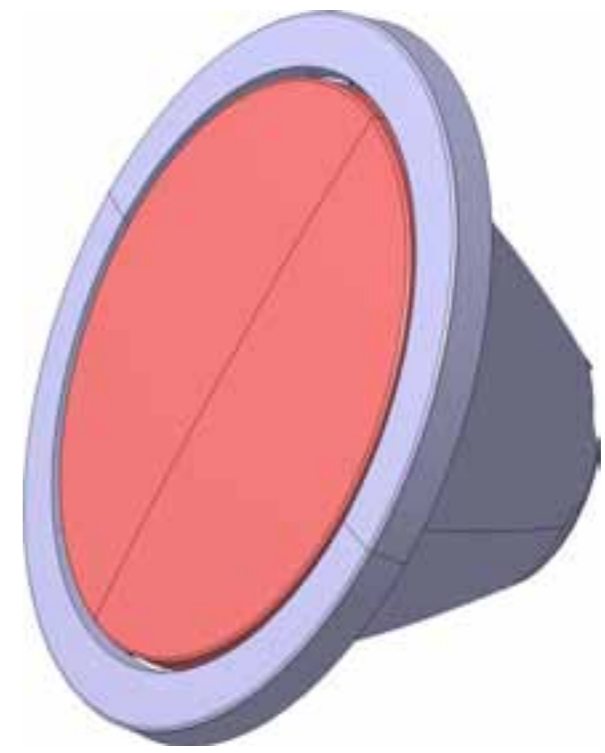
H G F E D C B A

4



Front view

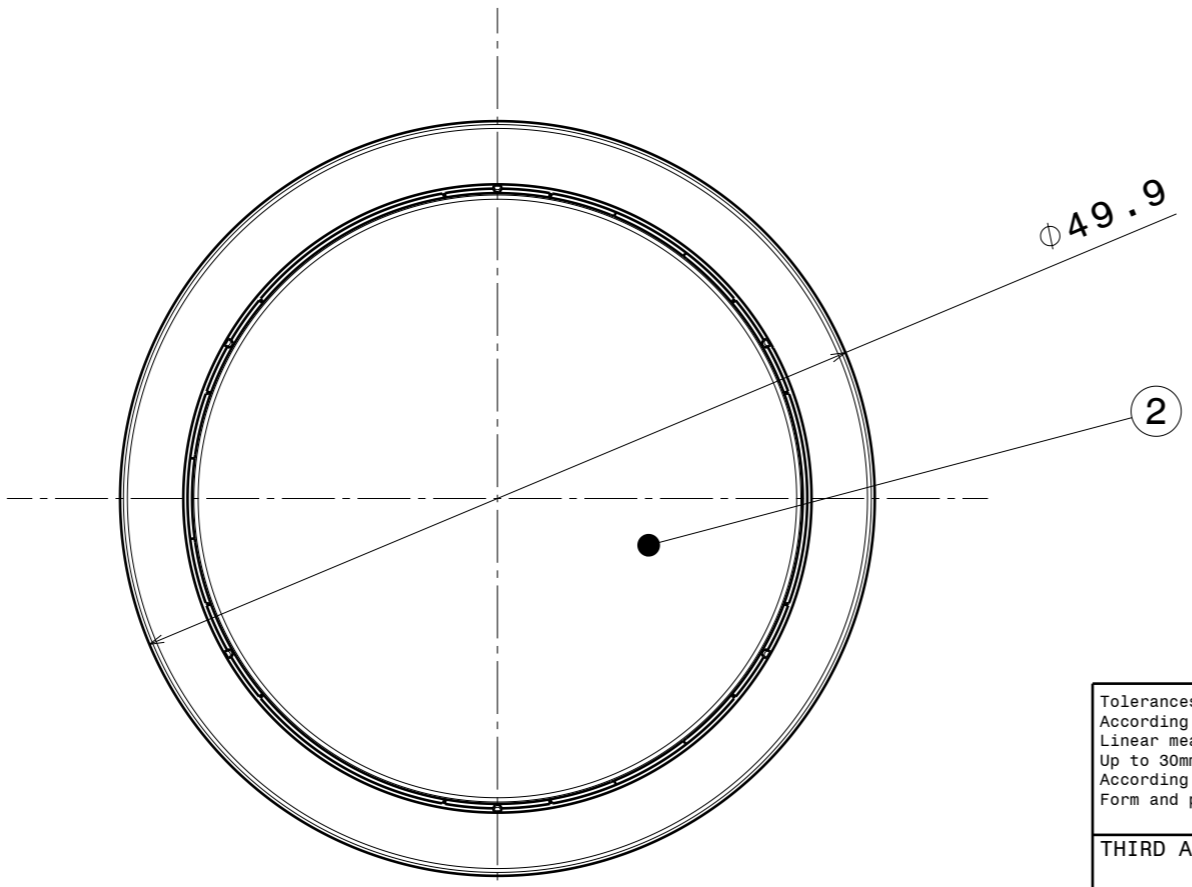
1



Isometric view

3

2



Top view

2

INDEX	PART NO	DESCRIPTION	MATERIAL
1	C12476	MIRELLA-50-S	PC
2	C13333	MIRELLA-CL	PC

Tolerances if not otherwise shown  
 According to DIN ISO 2768-1  
 Linear measures:  
 Up to 30mm class M, otherwise class C.  
 According to DIN ISO 2768-2  
 Form and position: class L

**LEDiL** LediL Oy  
 Salorankatu 10  
 FIN 24240 SALO  
 Finland

THIRD ANGLE PROJECTION:

DRAWING TITLE  
**Datasheet\_C13333\_MIRELLA-CL**

This drawing is the property  
 of LEDiL Oy. It may not be  
 reproduced, copied or  
 communicated without a written  
 agreement with LEDiL Oy."

SIZE	PART NUMBER		
<b>A3</b>	-		

SCALE	2:1	WEIGHT	(g)	SHEET	1/1
-------	-----	--------	-----	-------	-----

H G B A

4

3

2

1