



4-Pin DC Power Cord

User's Guide

90001246_A

March 31, 2011

Table of Contents

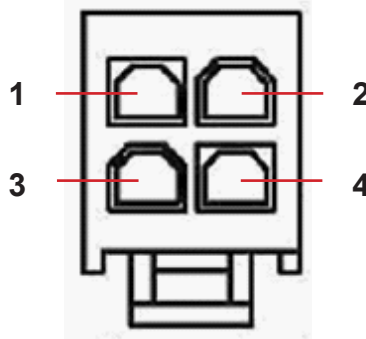
1. Pin-out Diagram	3
2. Wiring Configuration	4
3. Software Configuration	5
4. Specifications.....	6
4.1 Power Cord.....	6
4.2 Input Signal	6
4.3 Output Signal	6

4-Pin DC Power Cord

The 4-Pin DC Power Cord provides basic DC power input with the addition of two programmable signal lines. One of the signals lines is an input line, while the other can be configured as either an input or output line.

1. Pin-out Diagram

The pin-out diagram for the 4-pin molded connector is shown below:

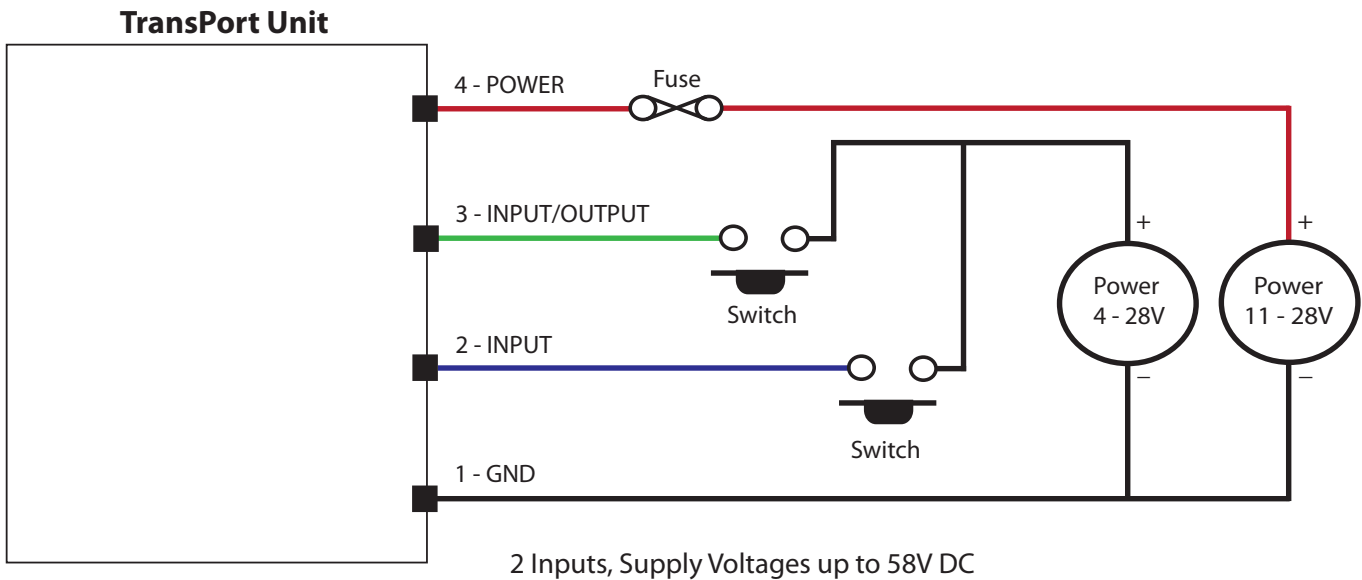
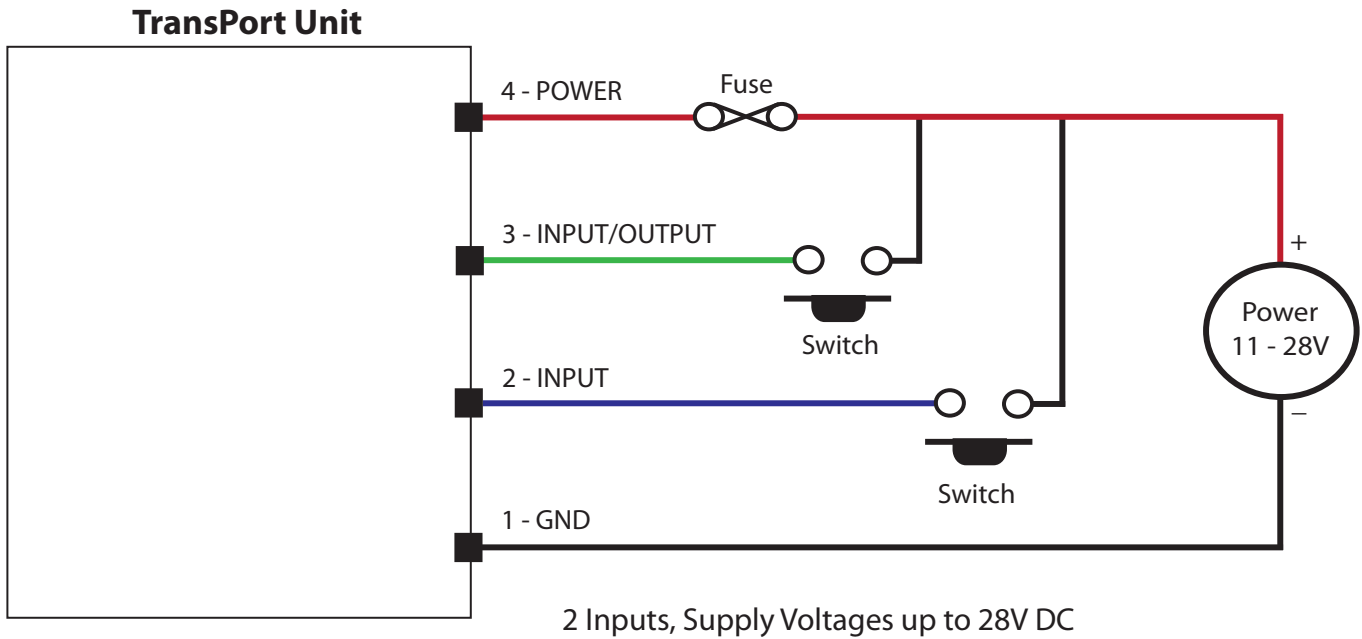


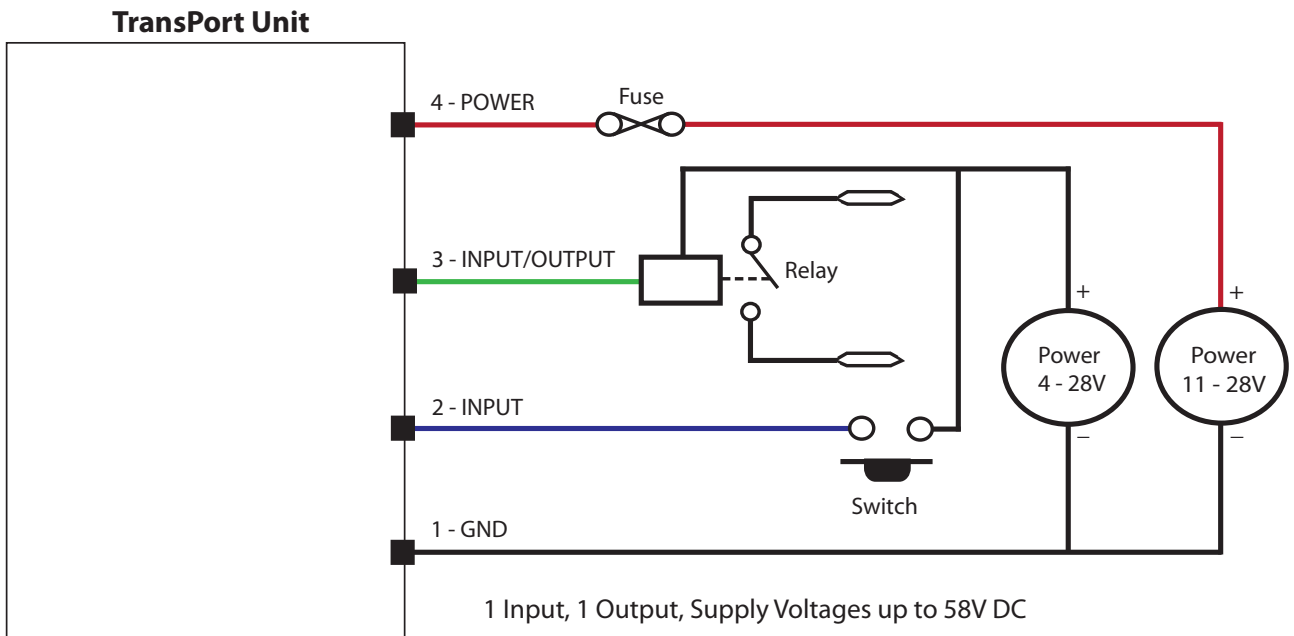
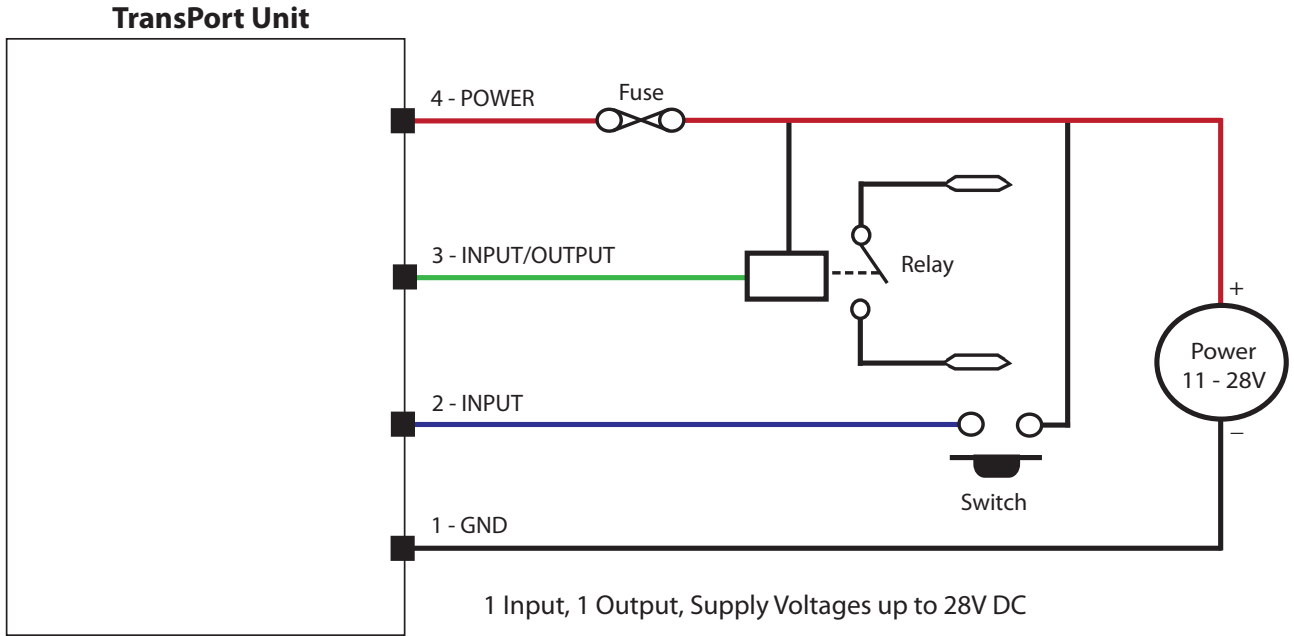
Pin	Wire Color	Signal
1	Black	Gnd
2	Blue	Input
3	Green	Input/Output
4	Red	Power

2. Wiring Configuration

WARNING: Only one of the power connectors should be used. Never apply power to both the MAIN and AUX connectors at the same time.

The following figures illustrate typical wiring configurations for both input and output applications.





3. Software Configuration

The mode of operation of the input/output line is configured via CLI commands. These commands can be built into Python or basic scripts to automate functionality, or, entered manually via the CLI or SMS.

4. Specifications

The following section outlines the specifications and configuration of the 4-Pin DC Power Cord.

4.1 Power Cord

Replacement/additional power cords can be purchased directly from Digi. The part numbers for these cords are:

76000774 – 4-pin DC Power Cord for TransPort WR44, 4 meter. Fuse: 3.15A, 250V, slow blow.

76002053 – 4-pin DC Power Cord for TransPort WR41, 4 meter. Fuse: 1.25A, 250V, slow blow.

4.2 Input Signal

- Applied input voltage to activate: +4V to +28V DC
- Applied input voltage to deactivate: 0V to +1V DC (Negative voltages can be applied to -28V DC)
- Maximum input current: 3mA
- Input protection activates at more than +/-28V DC. External current limiting is needed to protect input voltages above +/-28V DC.

4.3 Output Signal

- Maximum voltage switched: +28V DC
- Maximum current switched: +40mA
- Output protection activates at more than +/-28V DC. External current limiting is needed to protect input voltages above +/-28V DC.
- Output leakage current is equivalent to a 10 Kohms resistor to Ground.
- Suggested minimum Relay Coil resistances:
 - Supply Voltage 6V DC, minimum resistance 100 Ohms
 - Supply Voltage 12V DC, minimum resistance 240 Ohms
 - Supply Voltage 24V DC, minimum resistance 480 Ohms
- The output switch is protected against back-EMFs generated at relay turn-off.

Copyright

© 2011 Digi International Inc.
All rights reserved.

Digi, Digi International, the Digi logo, a Digi International Company, the Digi web site, Digi Remote Manager, Digi TransPort, Digi TransPort WR, and Digi TransPort WR44 are trademarks or registered trademarks of Digi International, Inc. in the United States and other countries worldwide.

All other trademarks are the property of their respective owners.

Information in this document is subject to change without notice and does not represent a commitment on the part of Digi International.

Digi provides this document “as is,” without warranty of any kind, either expressed or implied, including, but not limited to, the implied warranties of fitness or merchantability for a particular purpose. Digi may make improvements and/or changes in this manual or in the product(s) and/or the program(s) described in this manual at any time.

This product could include technical inaccuracies or typographical errors. Changes are periodically made to the information herein; these changes may be incorporated in new editions of the publication.

No part of this document covered by copyright may be reproduced or copied in any form or by any means graphic, electronic, or mechanical, including photocopying, recording, taping, or information and retrieval systems without written permission of Digi International.



Digi International
11001 Bren Road East
Minnetonka, MN 55343
952-912-3444 or 877-912-3444