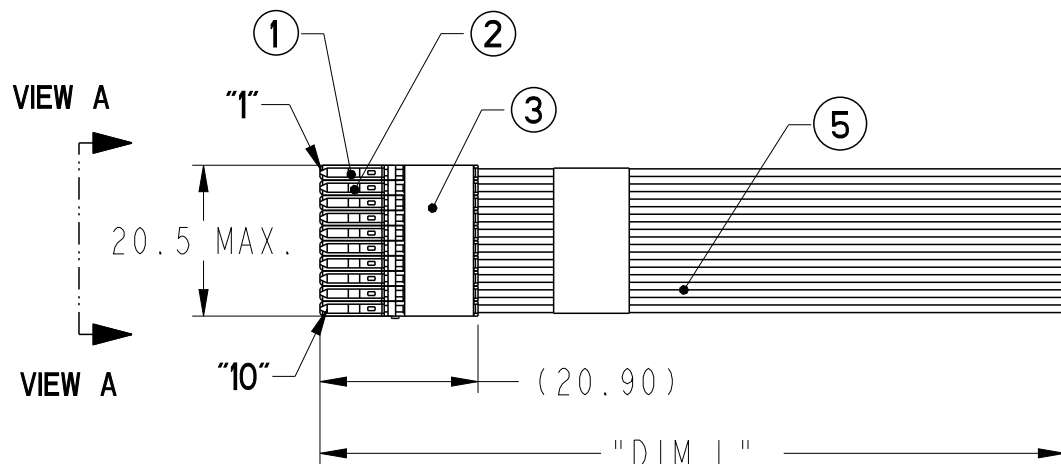
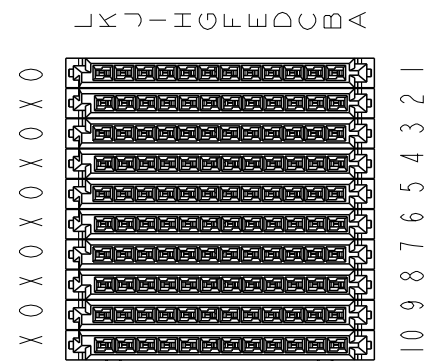


④ SEE NOTE 9



"DIM L"
SEE NOTES 1 AND 5



VIEW A
SCALE 2:1

ITEM	FCI P/N	QTY	DESCRIPTION	NOTES
1	10041276-101LF	5	TERMINAL BLOCK ASS'Y "O"	
2	10041276-102LF	5	TERMINAL BLOCK ASS'Y "X"	
3	10041278-210LF	2	STACK FOR 10IMLA	
4	10081646-002	1	LABEL	
5	SEE SHEET 2/3	A/R	CABLE	

dr	Jason Gu	2013/06/27	projection 	MM 	size	A4	scale	1:2	
eng	Jason Gu	2013/08/22			ecn no	ELX-N-15590-1			
chr	-	-			rel level	Released			
appr	Roger Cheng	2013/08/22	product family		-				
	title	BOARD INTERCONNECT SYSTEM			dwg no		10121889	rev	D
www.fci.com	cat. no.	-	Product - Inspection Drw			sheet 1 of 3			



Copyright FCI.

Part Number	DIM L	DESCRIPTION	CABLE P/N	QTY
10121889-001LF	670mm±15mm	32AWG HOOKUP	10123759-001LF	81.6M
10121889-002LF	670mm±15mm	28AWG HOOKUP	10118722-003	80.4M
10121889-003LF	1020mm±15mm	32AWG HOOKUP	10123759-001LF	125.5M

PIN CALL OUT CHART (P1) LEFT

	L	K	J	I	H	G	F	E	D	C	B	A	
O	S	S	S	S	S	S	S	S	S	S	S	S	1
X	S	S	S	S	S	S	S	S	S	S	S	S	2
O	S	S	S	S	S	S	S	S	S	S	S	S	3
X	S	S	S	S	S	S	S	S	S	S	S	S	4
O	S	S	S	S	S	S	S	S	S	S	S	S	5
X	S	S	S	S	S	S	S	S	S	S	S	S	6
O	S	S	S	S	S	S	S	S	S	S	S	S	7
X	S	S	S	S	S	S	S	S	S	S	S	S	8
O	S	S	S	S	S	S	S	S	S	S	S	S	9
X	S	S	S	S	S	S	S	S	S	S	S	S	10

spec ref		dr Jason Gu		2013/06/27		projection		MM		size A4		scale 1:2	
tolerance std		eng Jason Gu		2013/08/22						ecn no ELX-N-15590-1		rel level Released	
TOLERANCES UNLESS OTHERWISE SPECIFIED		chr -		-						product family -			
surface <input checked="" type="checkbox"/>		appr Roger Cheng		2013/08/22		product family -		-		rel level Released			
linear		0.X ±				BOARD INTERCONNECT SYSTEM AIRMAX VS CABLE ASSEMBLY (10 IMLA)		dwg no 10121889		rev D			
		0.XX ±											
		0.XXX ±											
angular		0° ±°		www.fci.com		cat. no. -		Product - Inspection Drw		sheet 2 of 3			



Copyright FCI.

NOTES:

1. UNLESS OTHERWISE SPECIFIED ASSEMBLED LENGTH TOLERANCE =
 = 1 METER: $\pm 15.0\text{mm}$
 > 1 METER TO 10 METER: $\pm 2\%$ OF "DIM LI"
 > 10 METER: +0 / -4% OF "DIM LI"
2. ALL CABLE ASSEMBLIES SHALL BE TESTED 100% FOR CONTINUITY AS DEFINED IN WIRING LIST.
3. UNLESS OTHERWISE SPECIFIED ALL CABLE ASSEMBLIES SHALL BE 100% HI-POT TESTED BY APPLYING 300V DC FOR MINIMUM OF 10ms, UNLESS ACTIVE COMPONENTS ARE USED IN THE ASSEMBLY.
4. OTHER TESTING PERFORMED AS REQUIRED BY PRODUCT SPECIFICATION: GS-12-344.
5. THIS DIMENSION IS A FINISHED PRODUCT LENGTH.
6. LEAD FREE PRODUCTS MEET EUROPEAN UNION DIRECTIVES AND OTHER COUNTRY REGULATIONS AS DESCRIBED IN GS-22-008.
7. CONNECTOR ASSEMBLIES SHOWN ARE FOR REFERENCE ONLY AND MAY NOT SHOW ALL PART DETAIL. REFERENCE CONNECTOR ASSEMBLY DRAWINGS FOR COMPLETE DETAILS.
8. GLOBAL STANDARDS PER CABLE PACKAGING: GS-14-1093.
9. LABEL:
 MANUFACTURER CODE OR NAME
 PART NUMBER
 REVISION
 DATE CODE WW/YY FORMAT
 COUNTRY OF ORIGIN
 FONT SHALL BE CLEARLY VISABLE AND BLACK IN COLOR
10. A " \triangle " SYMBOL WILL BE NEXT TO ANY DIMENSION, VIEW, OR NOTE WHICH HAS BEEN MODIFIED WITH THE CURRENT DRAWING REVISION. THE CURRENT REVISION WILL BE SHOWN IN THE SYMBOL.



Copyright FCI.

spec ref		dr	Jason Gu	2013/06/27	projection 	MM 	size	A4	scale	1:2				
tolerance std	TOLERANCES UNLESS OTHERWISE SPECIFIED		eng	Jason Gu			2013/08/22	ecn no	ELX-N-15590-1					
			chr	-			-		rel level	Released				
surface <input checked="" type="checkbox"/>		appr	Roger Cheng	2013/08/22	product family	-								
linear	0.X	\pm		title	BOARD INTERCONNECT SYSTEM		dwg no		10121889	rev				
	0.XX	\pm								www.fci.com	cat. no.	-	Product - Inspection Drw	sheet 3 of 3
	0.XXX	\pm												
angular	0°	\pm												