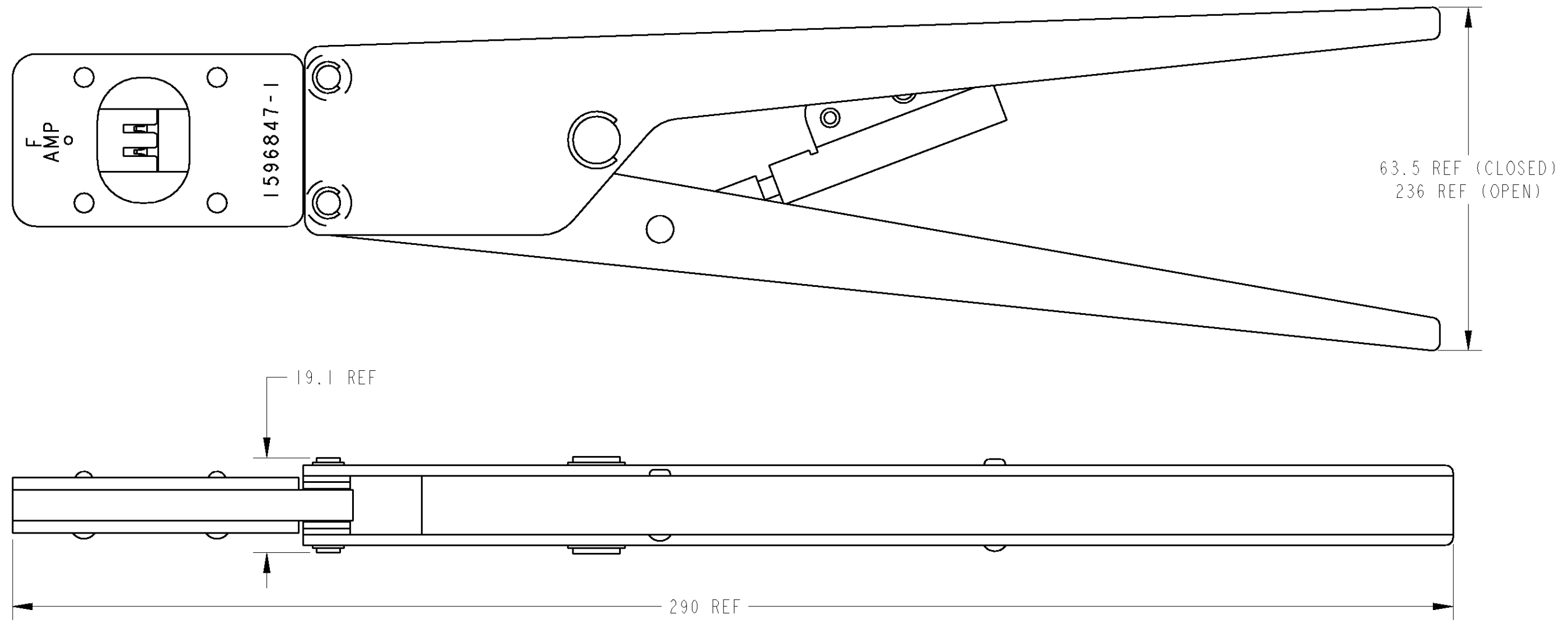


THIS DRAWING IS UNPUBLISHED. RELEASED FOR PUBLICATION 20
 © COPYRIGHT 20 BY TYCO ELECTRONICS CORPORATION. ALL RIGHTS RESERVED.

LOC	DIST	REVISIONS					
		P	LTR	DESCRIPTION	DATE	DWN	APVD
J	-	0		RELEASED FJC0-0066-03	03-Jun-03	J.K	S.Y



CRIMP SYMBOL	TERMINAL NO	WIRE SIZE AWG (mm ²)	INS RANGE (mm)	TERMINAL CH (mm)		IS NO	APPL SPEC	WEIGHT (g)
	L.P.			WIRE	INS			
圧着部記号	適用端子型番	電線サイズ	絶縁被覆径	圧着高さ		取扱説明書番号	取付適用規格	重量
	ハ"ラ状			芯線部	被覆部			
A	1674333-1	#24-26 (0.13-0.20)	1.0-1.2	0.65-0.75	1.40REF	411-78095	114-5335	550
B		#22 (0.33)	1.0-1.2	0.76-0.86	1.45REF			

THIS DRAWING IS A CONTROLLED DOCUMENT FOR TYCO ELECTRONICS CORPORATION. IT IS SUBJECT TO CHANGE AND THE CONTROLLING ENGINEERING ORGANIZATION SHOULD BE CONTACTED FOR THE LATEST REVISION.

DIMENSIONS: mm	TOLERANCES UNLESS OTHERWISE SPECIFIED:	DWN J.KOGA 03-Jun-03	Tyco Electronics AMP K.K. Kawasaki, Japan
	0 PLC ± 1 PLC ± 2 PLC ± 3 PLC ± 4 PLC ± ANGLES ±	CHK J.KOGA 03-Jun-03	
		APVD S.YABE 03-Jun-03	
MATERIAL	FINISH	PRODUCT SPEC -	NAME STRAIGHT ACTION HAND TOOL (Micro Motor Rec Contact, 1.5VP)
		APPLICATION SPEC -	SIZE A3 CAGE CODE 00779 DRAWING NO C=1596847-1 RESTRICTED TO -
		WEIGHT -	CUSTOMER DRAWING SCALE - SHEET 1 OF 1 REV 0