

5

4

3

2

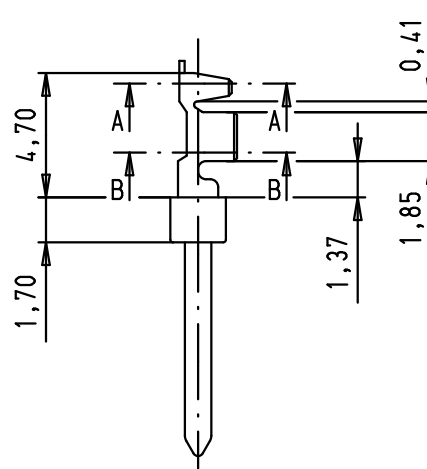
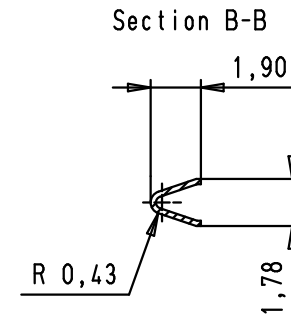
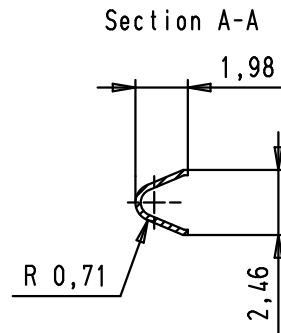
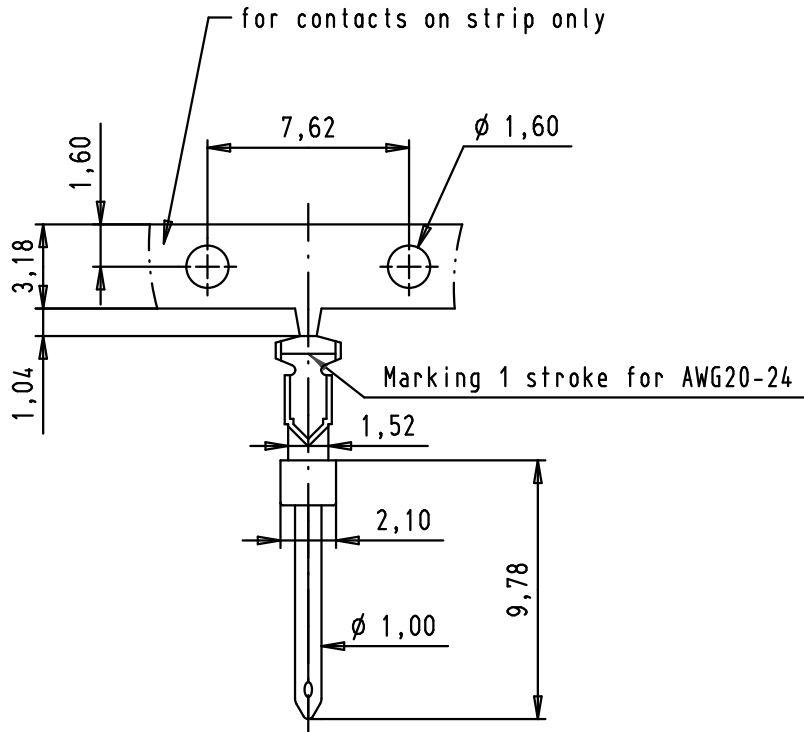
1

D

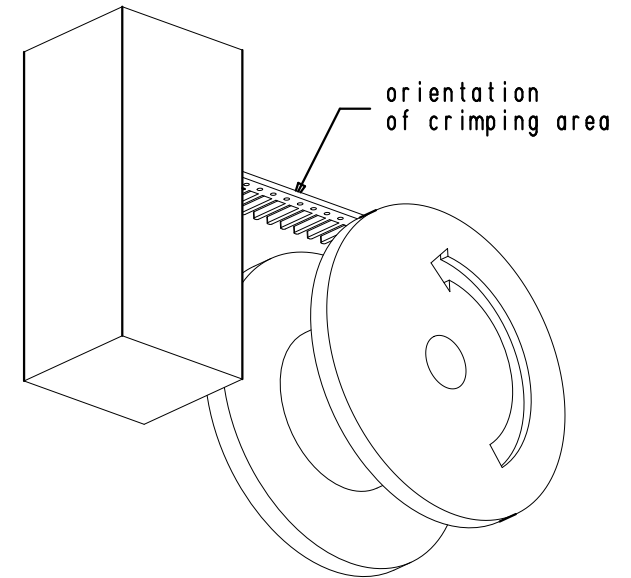
C

B

A

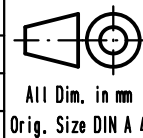


Reel unrolling right reversed



Base material: brass
 Plating: sliding contact selective gold plated over nickel
 nickel plated crimp area
 Number of contacts per reel: 10000

				Dat.	Name
			Detail.	24/03/03	PP
36288	13/01/12	SD	Insp.	13/01/12	JB
33986	24/04/07	PK	Stand.		
33242	17/10/05	JMDR	HARTING EURL F-95972 Paris		
31475	24/03/03	PP			
Mod.	Dat.	Name			



D-Sub, stamped male
 AWG 20-24 crimp contact, reel
 unrolling right reversed

Maßstab/
Scale
3,5:1

09 67 000 8138	PL2
09 67 000 8137	PL3
09 67 000 8136	PL1
Part number	Performance level

TB 09 67 000 813X
 Sub.

Blatt/ Page
1 / 1