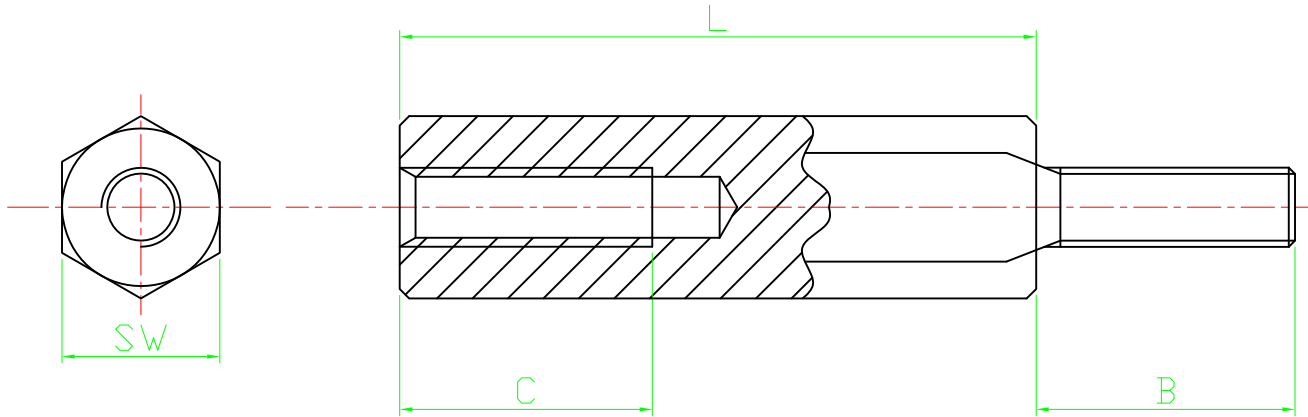


RoHS compliant



Width across flat(SW)5
Thread M2.5
PU=100 pcs

Option	Dimensions		
	L	B	C min
A	5	6	2.5
B	8	6	5
C	10	6	6
D	12	6	6
E	15	6	6
F	18	6	6
G	20	6	6
H	25	6	6
K	30	6	6

Scale	1:1					Date	Name	Customer-No.	
TOLERANCE					Drawn	20.08.2009	Dean	ASSMANN WSW-No. V6622x	
X.	±X				Approved	20.08.2009	Andy		
X.X	±X								
X.XX	±X								
DIM	TOL							Drawing-No.	
X.°	±X°							ASS 0493 HS	rev01
X.X°	±X°	①	Drawn	20.08.2009					
Angle	TOL	Id.	Modification	Date				Name	Replace



Customer-No.
ASSMANN WSW-No. **V6622x**
Drawing-No. **ASS 0493 HS** rev01
Replace Sheet