

SUMMARY

Wires

Low	5
High	0
Coax	0
Triax	0
Quad	0
Fiber	0
Fluidic	0



Image is for illustrative purpose only

Download

[Request a quote](#)

[Catalog](#)

Series	1W
Termination type	Male solder
IP rating	68
Cable Ø	6.10 - 6.50 mm
Matching parts	EVG.1W.305.CLL
Status	
Alternative part	

TECHNICAL DETAILS

Mechanics

Shell Style/Model	FV*: Straight plug, cable collet
Keying	
Housing Material	Brass (chrome plated) shell and collet nut, nickel plated brass latch sleeve and mid pieces
Cable Fixing	C65: 6.1 - 6.5 mm
Variant	

Performance

Configuration	
Insulator	
Rated Current	9 Amps

Specifications

Contact Type:	Solder
Max. Matings:	5000
Contact Dia.:	0.9 mm (0.035in)
Bucket Dia.:	0.8 mm (0.031in)
Max. Solid Conductor:	0.34 mm ² (AWG 22)
Max. Stranded Conductor:	0.34 mm ² (AWG 22)

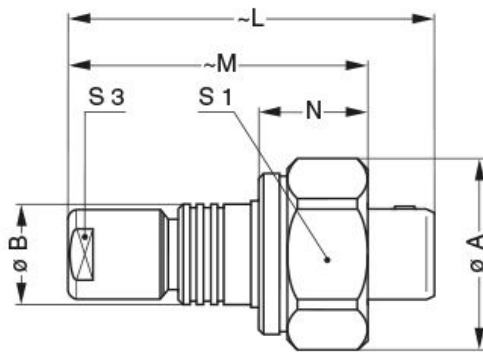
R (max): 4.8 mOhm
Vtest (contact-contact): 1250 V (AC) 1800 V (DC)
Vtest (contact-shell): 1150 V (AC) 1600 V (DC)

Others

Pressure: 30 bars
IP Rating: 68

DRAWINGS

Draws



Dimensions

	A	B	L	M	N	S1	S3
mm.	19.3	11.0	43.7	35.5	14.0	18	9
in.	0,76	0,43	1,72	1,40	0,55	0,71	0,35

RECOMMENDED BY LEMO

Tools

None

Cables