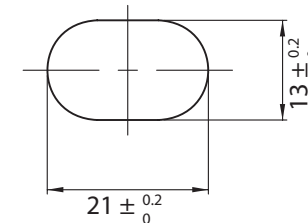
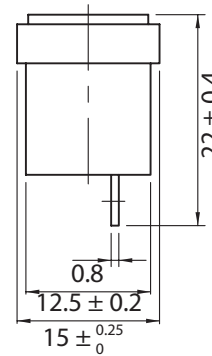
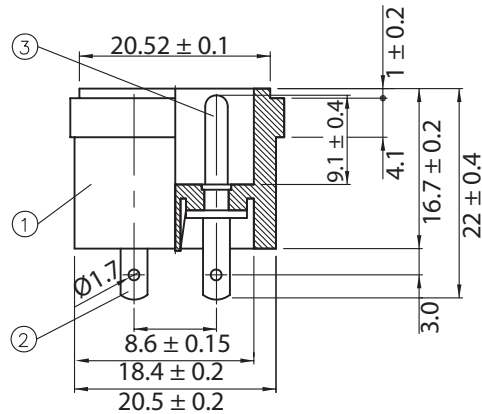
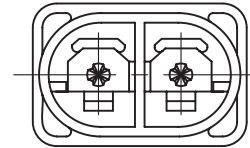
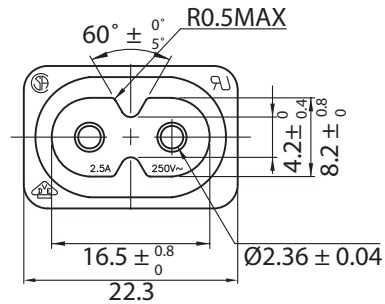


THESE DRAWINGS ARE THE PROPERTY OF QUALTEK ELECTRONICS AND NOT TO BE REPRODUCED FOR OR COMMUNICATED TO A THIRD PARTY WITHOUT THE EXPRESS WRITTEN PERMISSION OF AN OFFICER OF QUALTEK ELECTRONICS.

REVISION			
REV.	DESCRIPTION	DATE	APPROVED
B	RoHS Compliancy	06-01-06	DP
C	Updated Specifications	10-18-07	DP



PANEL CUTOUT

**CONTROLLED**

NOTES:

RATING: 2.5A 250V AC  
 APPROVALS: UL,CSA,VDE  
 RoHS COMPLIANT

3	Contact PIN Bronze Strip d=Ø2.36 mm Ni-Plated	2
2	Contact PIN Bronze Strip t=0.8mm Tin-Plated	2
1	Body Insulator PC	1

Dim range (mm)	Tolerance +/- (mm)	Qualtek Electronics Corp. PPC DIVISION		
		Part Number:	770W-X2/04	RoHS Compliant
0-1	0.15	Description: AC RECEPTACLE		
1-6	0.20			
6-18	0.30		UNIT: mm	REV. C
18-50	0.50			
50-120	0.70	Drawn / Date	Checked / Date	Approved / Date
120-250	0.90	S.CHEN 11-21-99	11-21-99	JJH / 11-21-99
250-500	1.20			