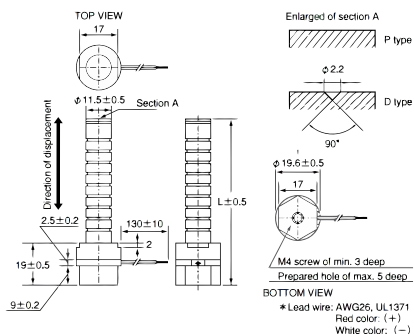


Leaded Actuators, 17um +/-3um, 800 N



Dimensions (mm)		
Symbol	Dimension	Tolerance
L	38.4	+/-0.5

General Information	
Supplier:	KEMET
Part Type Description:	Metal Sealed Type Multilayer Piezoelectric Actuators

Specifications	
Displacement:	17um +/-3um
Temperature Range:	-25/+85C
Voltage:	150 VDC
Capacitance:	1.5 uF +/-20%
Resonant Frequency:	14 kHz
Resonant Frequency:	32 kHz (Without Flange)
Insulation Resistance:	30 MOhms
Dissipation Factor:	5%
Generated Force:	800 N

Statements of suitability for certain applications are based on our knowledge of typical operating conditions for such applications, but are not intended to constitute - and we specifically disclaim - any warranty concerning suitability for a specific customer application or use. This Information is intended for use only by customers who have the requisite experience and capability to determine the correct products for their application. Any technical advice inferred from this Information or otherwise provided by us with reference to the use of our products is given gratis, and we assume no obligation or liability for the advice given or results obtained.