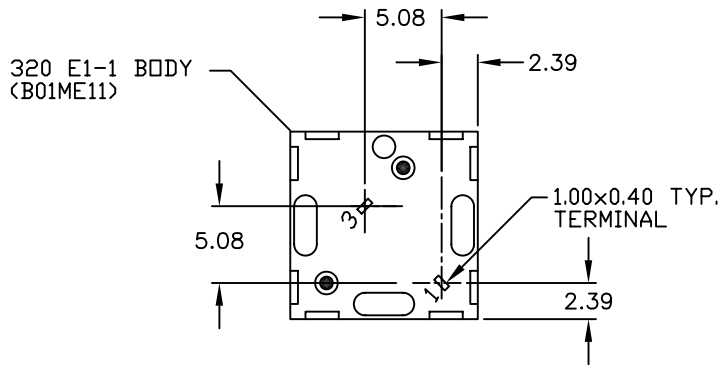
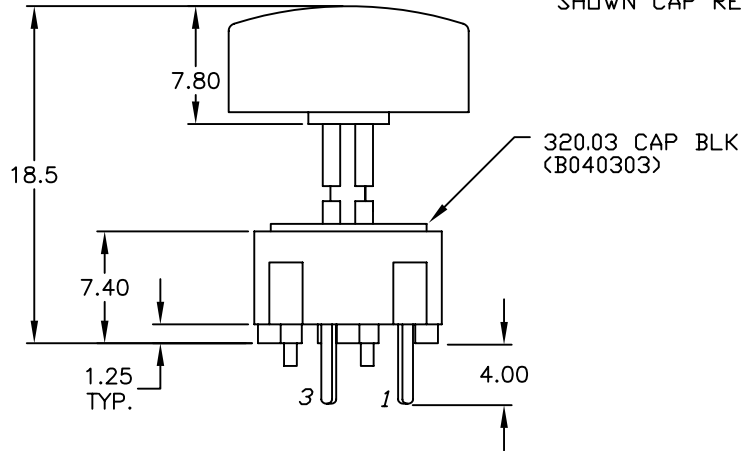
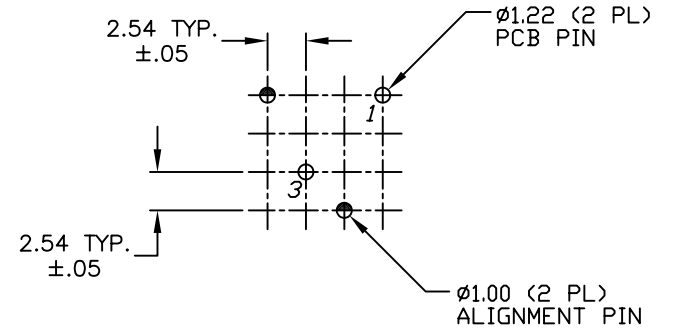


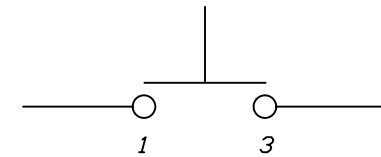
SHOWN CAP REMOVED



TOP VIEW -SHOW ORIENTATION OF LEGENDS
IN RESPECT TO THE PCB PIN TERMINALS.



RECOMMENDED P.C.B. LAYOUT



CIRCUIT: SPST
CONTACT CONFIGURATION

- NOTES:
1. ALL DIMENSIONS IN MM
 2. GENERAL TOLERANCE: X.X=±0.4
X.XX=±0.25
 3. TERMINAL NO'S FOR REFERENCE ONLY.
 4. RATING: 25mA, @50VDC
 5. OPERATING FORCE: 120gF
 6. TRAVEL TO MAKE: 0.7mm

E-SWITCH®

A	14900	RELEASED FOR PRODUCTION	5/11/05	JB
REV.	ECN No.	DESCRIPTION	DATE	CHKD

THE INFORMATION CONTAINED IN THIS DOCUMENT
IS PROPRIETARY TO E-SWITCH AND IS
NOT TO BE COPIED OR TRANSFERRED

TITLE				
320.03 E1-1 (w/.09 RED)				
SCALE	DATE	DR	DWG	REV
2:1	5/11/05	JB	XB0911P	A