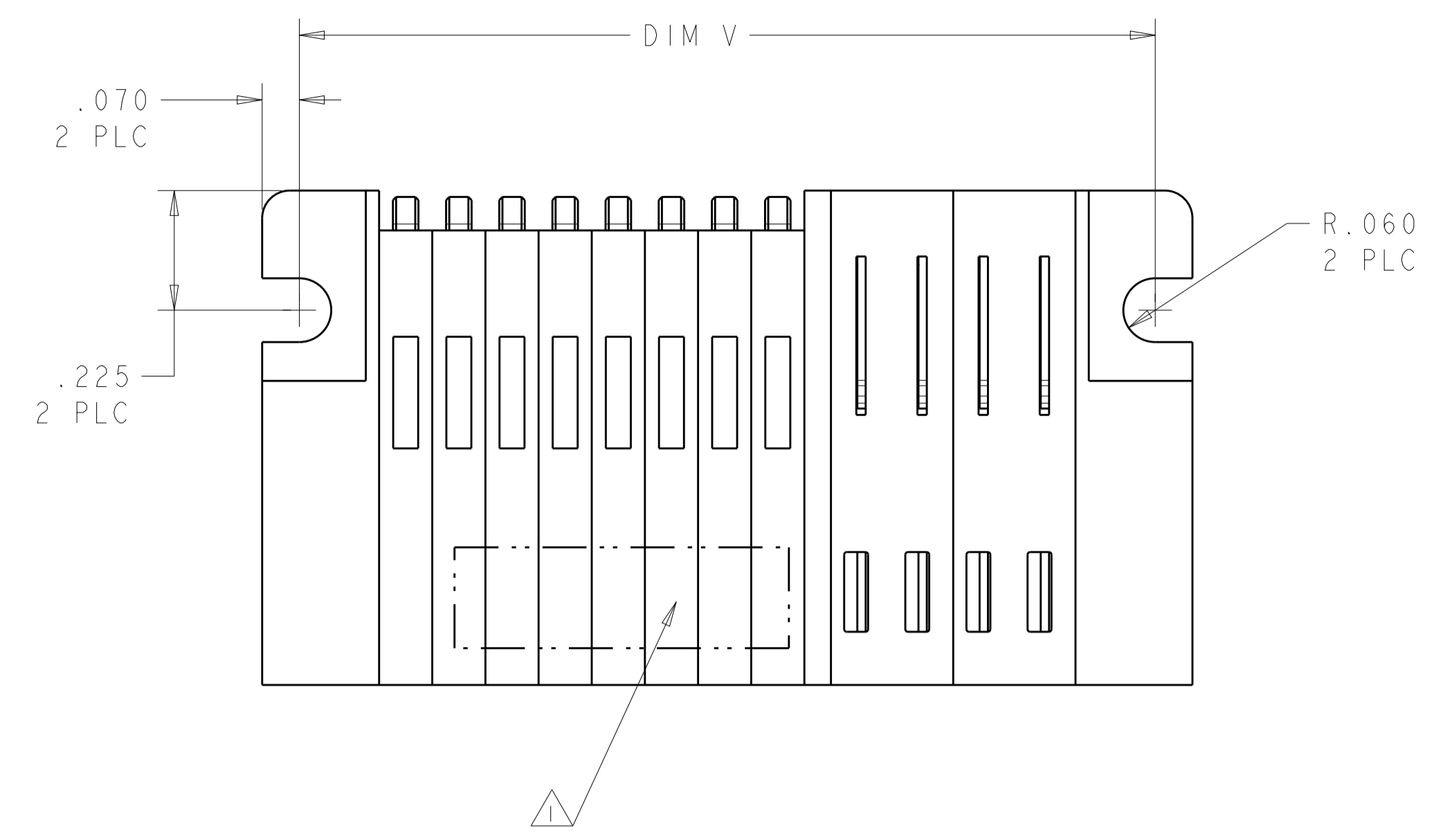
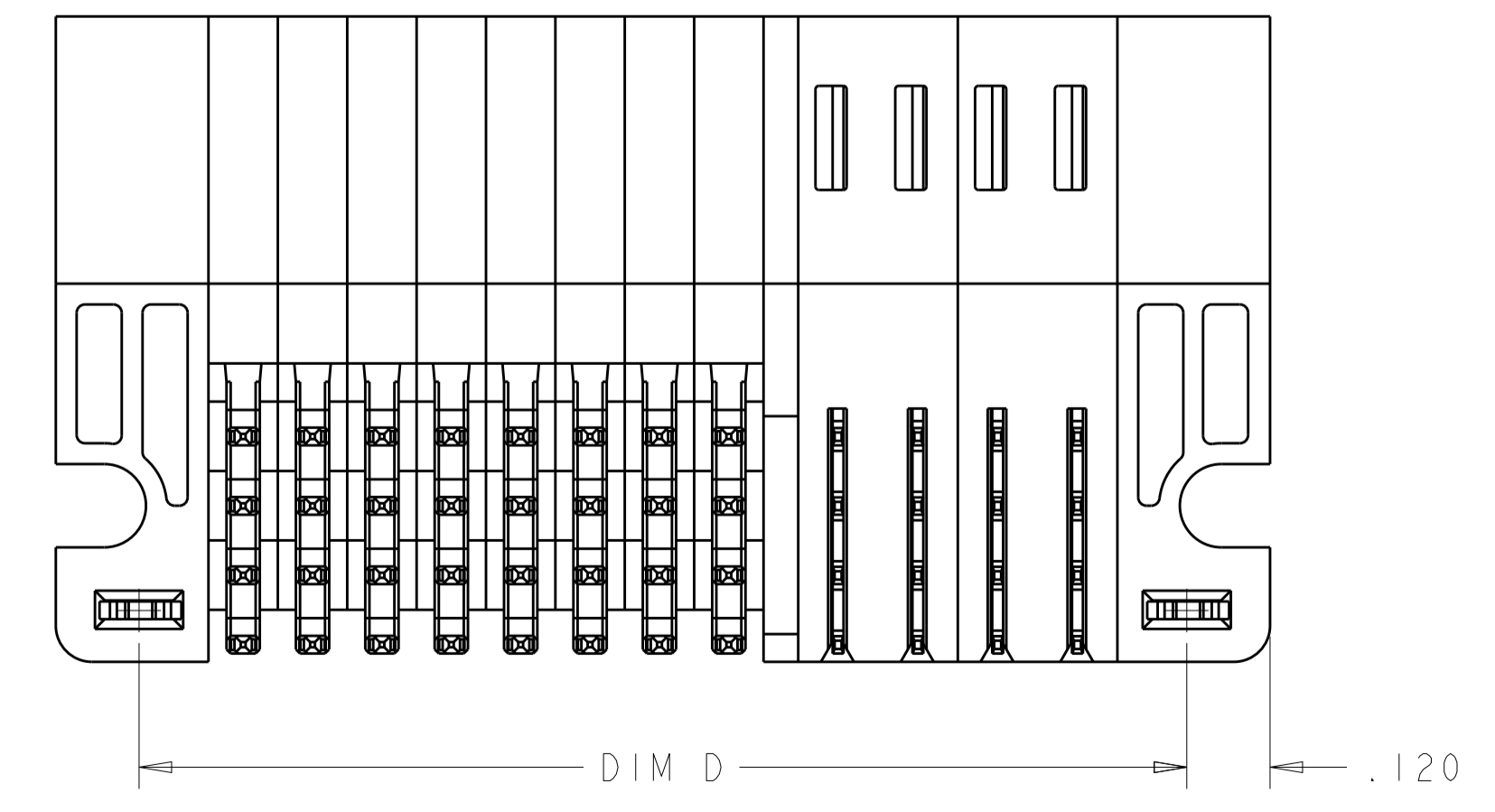
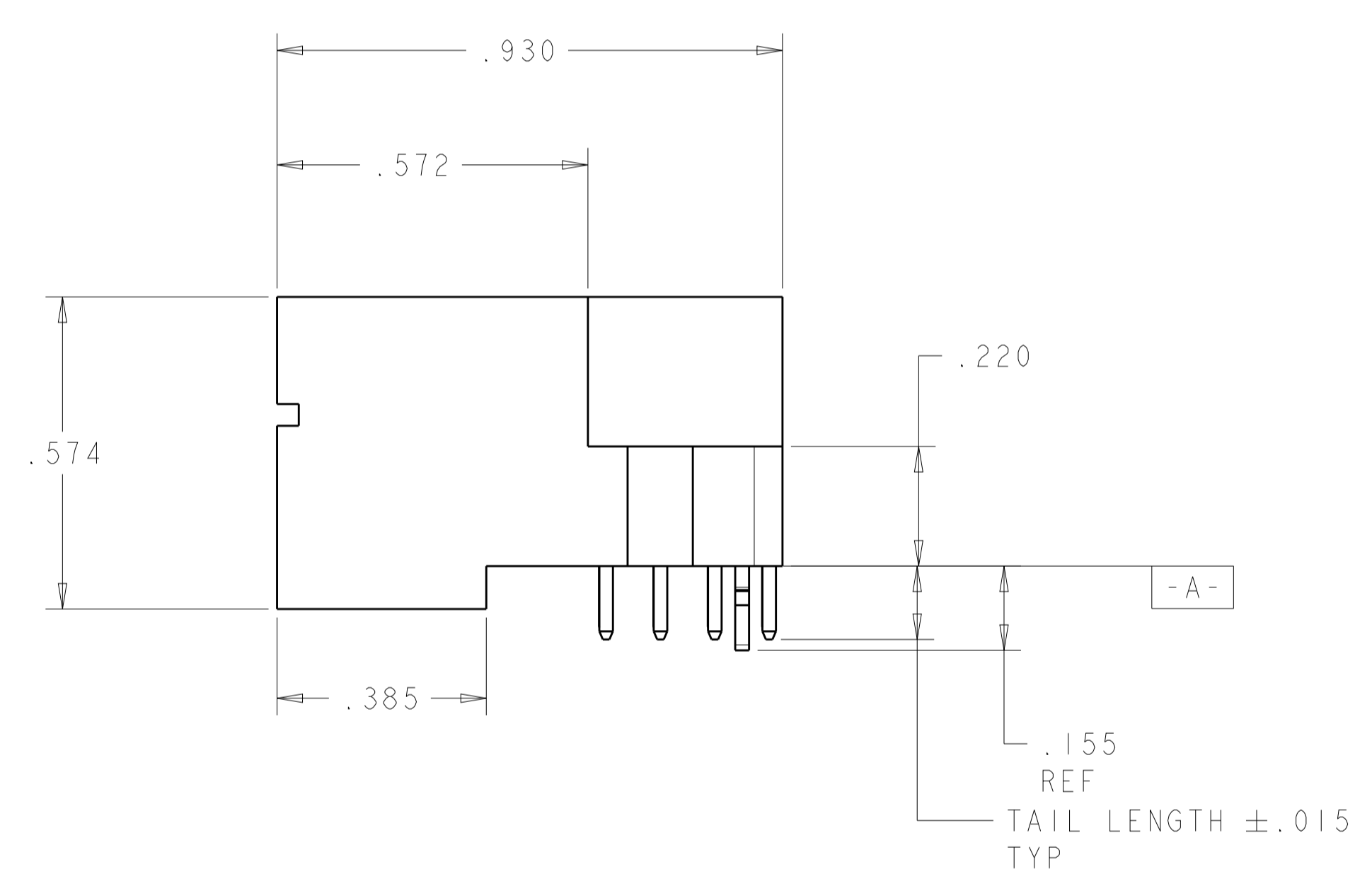
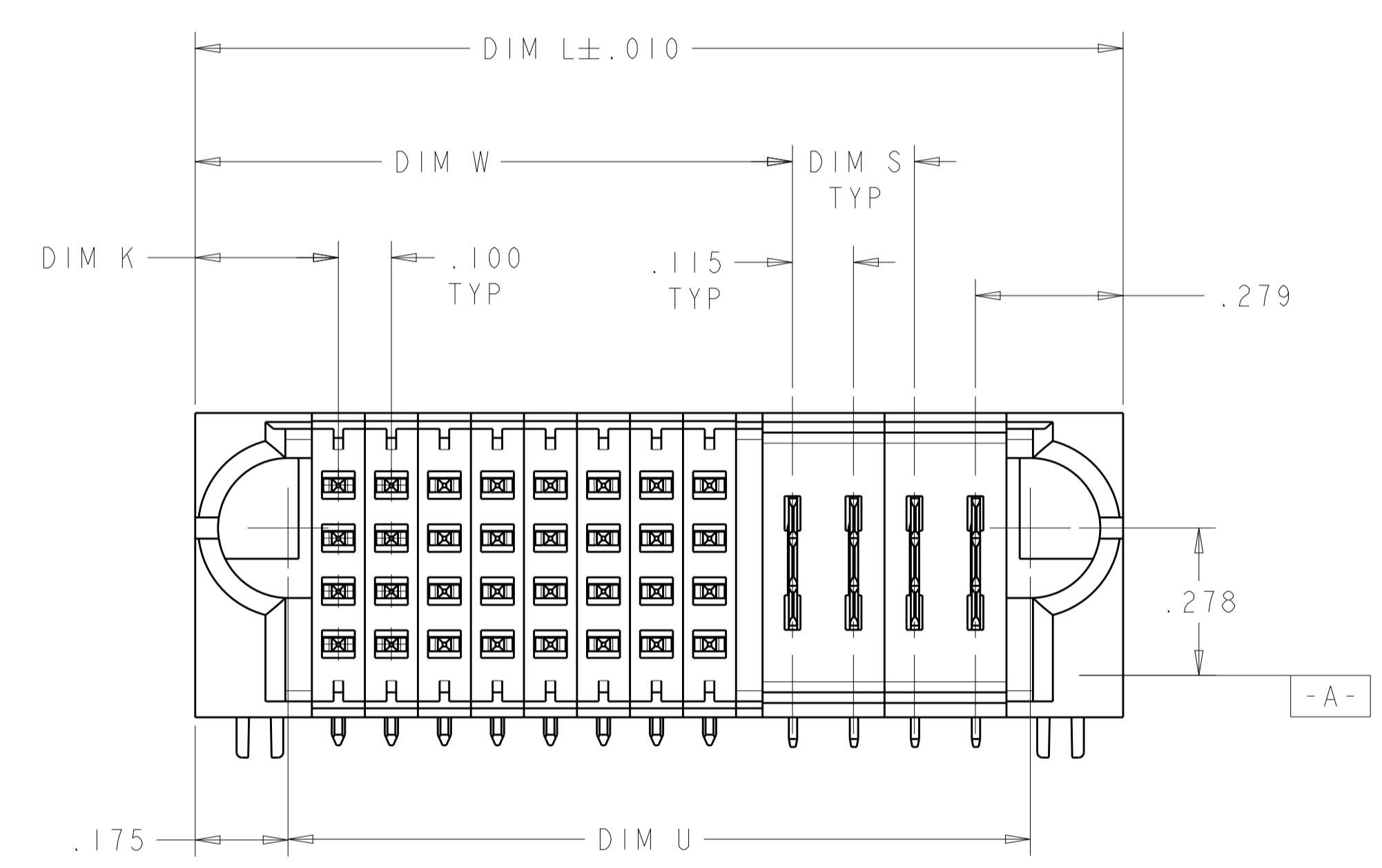


LOC		DIST		REVISIONS			
ES	00	P	LTM	DESCRIPTION	DATE	DMN	APVD
		L1		REVISED FOR 2-6	14MAY2014	CZ	SZ
		L5		ADD NEW DASH NUMBER 3-4	22SEP2014	CZ	SZ
		L6		ADD 3-6 PER ECO-14-018856	31DEC2014	CZ	SZ

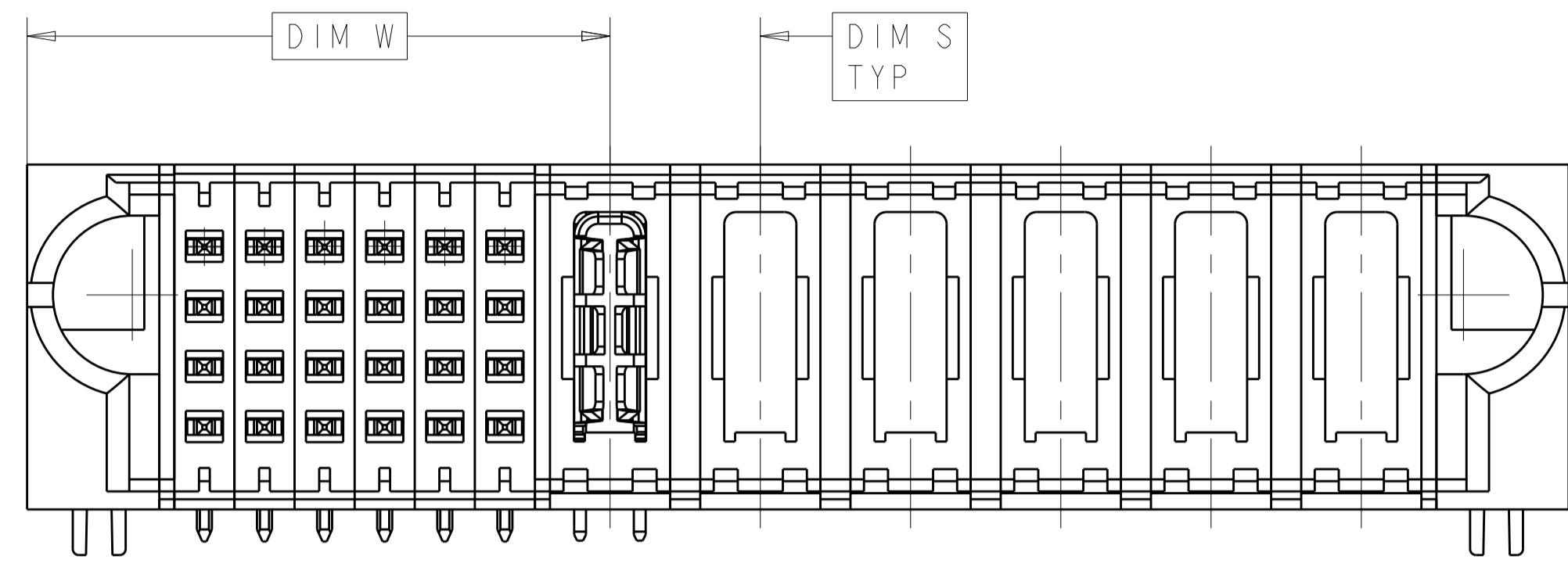


- ① "AMP", PART NUMBER AND DATE CODE TO BE MARKED IN AREA SHOWN PARTS UNDER 2.00 LONG MAY BE MARKED ON BOTH SIDES
- ② MATERIAL: HOUSING - GLASS FILLED HIGH TEMP THERMO PLASTIC, BLACK, UL94 V-0
 SIGNAL CONTACT - HIGH CONDUCTIVITY COPPER ALLOY
 POWER CONTACT - HIGH CONDUCTIVITY COPPER ALLOY
- ③ CONTACT PLATING: NOBLE METAL PLATING ON CONTACT FUNCTIONAL AREA OF POWER AND SIGNAL CONTACTS
- ④ MECHANICAL CONNECTOR KEEP OUT ZONE
- ⑤ DATUM AND BASIC DIMENSIONS ESTABLISHED BY CUSTOMER
- ⑥ PCB - ALL HOLE DIAMETERS ARE FINISHED HOLE SIZES
- ⑦ PCB - 0.0453 ± .0010 DRILLED HOLES PLATED WITH .0003 MIN Sn OVER .001 TO .003 Cu PLATING TO ACHIEVE A .040 ± .030 HOLE
- ⑧ FOR "S+P" CONFIGURATION, VARIABLE DIMENSIONS PLEASE REFER TO SHEET 2.
- ⑨ VARIABLE DIMENSIONS PLEASE SEE TABLE.



THIS DRAWING IS A CONTROLLED DOCUMENT.		DMN C. ZHOU CHK S. ZHAO	15OCT2007 15OCT2007	STE TE Connectivity
DIMENSIONS: INCHES	TOLERANCES UNLESS OTHERWISE SPECIFIED:	APVD S. YAO	NAME R/A HEADER WITH SHORT GUIDES AND LP CONTACTS ASSEMBLY MULTI-BEAM XLE	
	0 PLC ±. 1 PLC ±.01 2 PLC ±.01 3 PLC ±.005 4 PLC ±.0020 ANGLES ±.7°	PRODUCT SPEC 108-2292	APPLICATION SPEC 108-13038	SIZE A1
MATERIAL ②	FINISH ③	WEIGHT	Customer Drawing	RESTRICTED TO SCALE 4:1 SHEET 1 OF 17 REV L7

LOC	DIST	REVISIONS					
		P	LTN	DESCRIPTION	DATE	DWN	APVD
ES	00	-	-	SEE SHEET 1	-	-	-



△ FOR "S+P" CONFIGURATION
 UNSPECIFIED DIMENSIONS REFER TO SHEET 1

.600	.700	.490	-	-	.270	.840	16S	3-6450831-6
3.800	3.900	3.690	.200	3.120	.270	4.040	112S + 4HDP	3-6450831-4
2.920	3.020	2.810	.250 ⁹	.845 ⁹	.270	3.160	20S + 4P + 3LP	3-6450831-0
2.250	2.350	2.140	.200 ⁸	.745 ⁸	.270	2.490	16S + 8HDP	2-6450831-9
3.450	3.550	3.340	.300 ⁸	1.220 ⁸	.270	3.690	32S + 8ACP	2-6450831-8
2.250	2.350	2.140	.300 ⁸	1.220 ⁸	.270	2.490	32S + 4ACP	2-6450831-7
1.750	1.850	1.640	.9 ⁹	.745 ⁸	.270	1.990	16S + 4P	2-6450831-6
4.125	4.225	4.015	.375 ⁸	.995 ⁸	.270	4.365	24S + 9P	2-6450831-5
2.800	2.900	2.690	.250 ⁸	.945 ⁸	.270	3.040	24S + 8P	2-6450831-4
3.225	3.325	3.115	.200 ⁸	.945 ⁸	.270	3.465	24S + 12HDP	2-6450831-3
4.400	4.500	4.290	.8 ⁸ -.9 ⁹	1.995	.270	4.64	64S+4P+2HDP+5P	2-6450831-2
.875	.975	.765	-	-	.345	1.115	24S	2-6450831-1
.875	.975	.765	-	-	.345	1.115	24S	2-6450831-0
1.625	1.725	1.515	.200 ⁸	.945 ⁸	.270	1.865	24S + 4P	1-6450831-9
3.600	3.700	3.490	.250	.770	.295	3.840	16S + 12P	1-6450831-8
3.100	3.200	2.990	.250	.770	.295	3.340	16S + 10P	1-6450831-7
3.100	3.200	2.990	.250	.770	.295	3.340	16S + 10P	1-6450831-6
.600	.700	.490	-	-	.270	.840	16S	1-6450831-5
4.500	4.600	4.390	.250 ⁸	1.145 ⁸	.270	4.74	32S + 14P	1-6450831-4
3.250	3.350	3.140	.225 ⁸	1.145 ⁸	.270	3.490	32S + 10P	1-6450831-3
3.300	3.400	3.190	.9 ⁹	1.170 ⁸	.270	3.540	32S + 10P	1-6450831-2
.800	.900	.690	-	-	.270	1.040	24S	1-6450831-1
2.325	2.425	2.215	.250 ⁸	.970 ⁸	.295	2.565	24S + 6P	6450831-9
2.825	2.925	2.715	.250 ⁸	.970 ⁸	.295	3.065	24S + 8P	6450831-7
2.325	2.425	2.215	.250 ⁸	.970 ⁸	.295	2.565	24S + 6P	6450831-6
2.000	2.100	1.890	-	-	.270	2.240	72S	6450831-5
.800	.900	.690	-	-	.270	1.040	24S	6450831-4
5.405	5.505	5.295	-	5.2275	.295	5.645	196S + 2LP	6450831-3
1.510	1.610	1.400	.230	1.1275	.270	1.750	32S + 4LP	6450831-1
DIM D	DIM V	DIM U	DIM S	DIM W	DIM K	DIM L	DESCRIPTION	PART NUMBER

THIS DRAWING IS A CONTROLLED DOCUMENT. DWN C. ZHOU 15OCT2007
 CHK S. ZHAO 15OCT2007

DIMENSIONS: INCHES TOLERANCES UNLESS OTHERWISE SPECIFIED:
 0 PLC ±.01
 1 PLC ±.01
 2 PLC ±.01
 3 PLC ±.005
 4 PLC ±.0020
 ANGLES ±.0020

MATERIAL: FINISH:

Customer Drawing

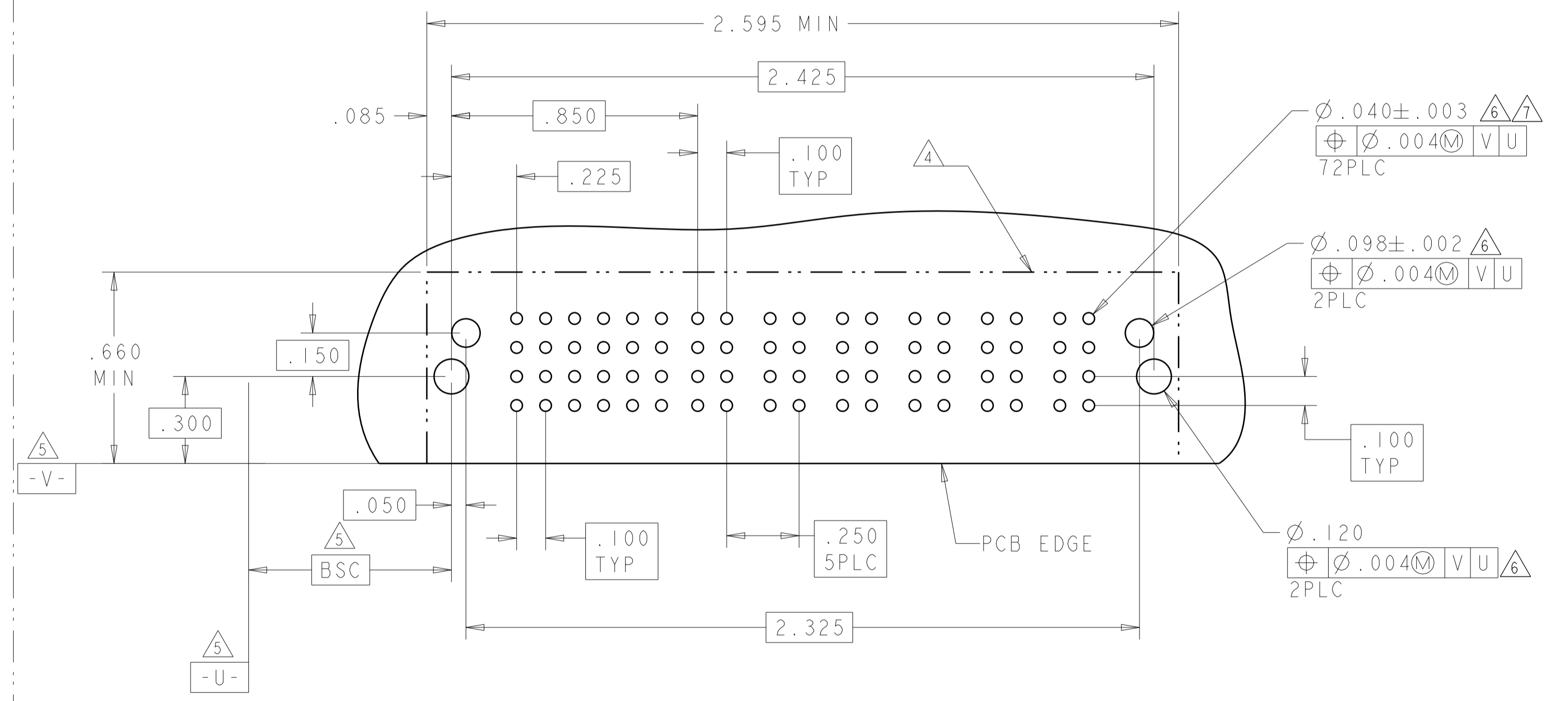
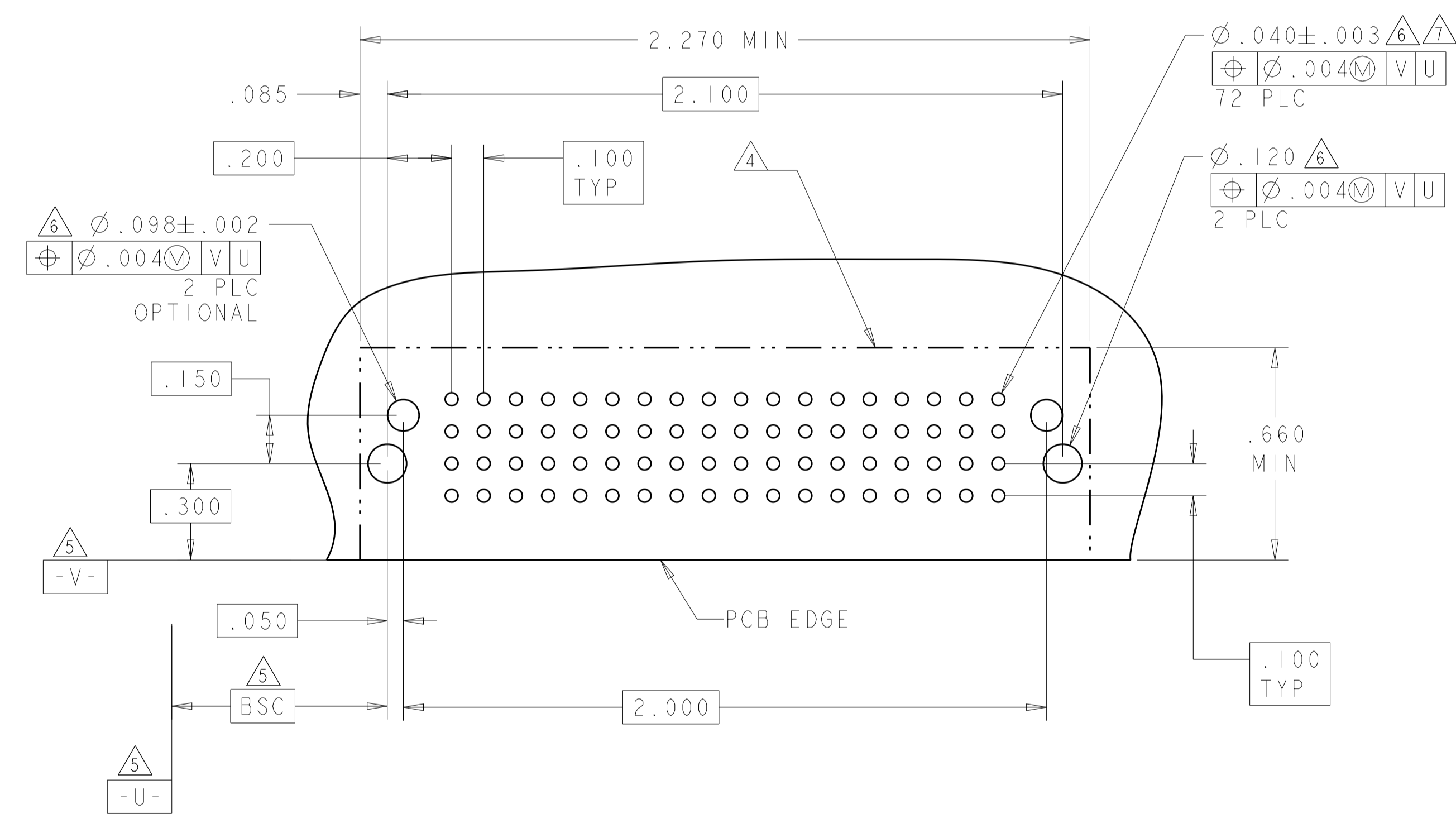
APVD S. YAO
 NAME R/A HEADER WITH SHORT GUIDES AND LP CONTACTS ASSEMBLY MULTI-BEAM XLE
 PRODUCT SPEC 108-2292
 APPLICATION SPEC 108-13038
 WEIGHT: RESTRICTED TO

SIZE: A100779 C=6450831
 SCALE 4:1 SHEET 2 OF 17 REV L7

LOC	DIST	REVISIONS					
		P	LTN	DESCRIPTION	DATE	DWN	APVD
ES	00	-	-	SEE SHEET 1	-	-	-

PART NUMBER	ROWS	SIGNAL																	
		1	2	3	4	5	6	7	8	9	10	11	12	13	14	15	16	17	18
6450831-5	D	E	E	E	E	E	E	E	E	E	E	E	E	E	E	E	E	E	E
	C	F	F	F	F	F	F	F	F	F	F	F	F	F	F	F	F	F	F
	B	G	G	G	G	G	G	G	G	G	G	G	G	G	G	G	G	G	G
	A	S	S	S	S	S	S	S	S	S	S	S	S	S	S	S	S	S	S
72S																			

PART NUMBER	ROWS	SIGNAL						POWER					
		1	2	3	4	5	6	P1	P2	P3	P4	P5	P6
6450831-6	D	J	J	J	J	J	J	TM	TM	TM	TM	TM	TM
	C	K	K	K	K	K	K	TM	TM	TM	TM	TM	TM
	B	N	N	N	G	N	N	TM	TM	TM	TM	TM	TM
	A	S	S	S	H	S	S	TM	TM	TM	TM	TM	TM
24S + 6P													



THIS DRAWING IS A CONTROLLED DOCUMENT.

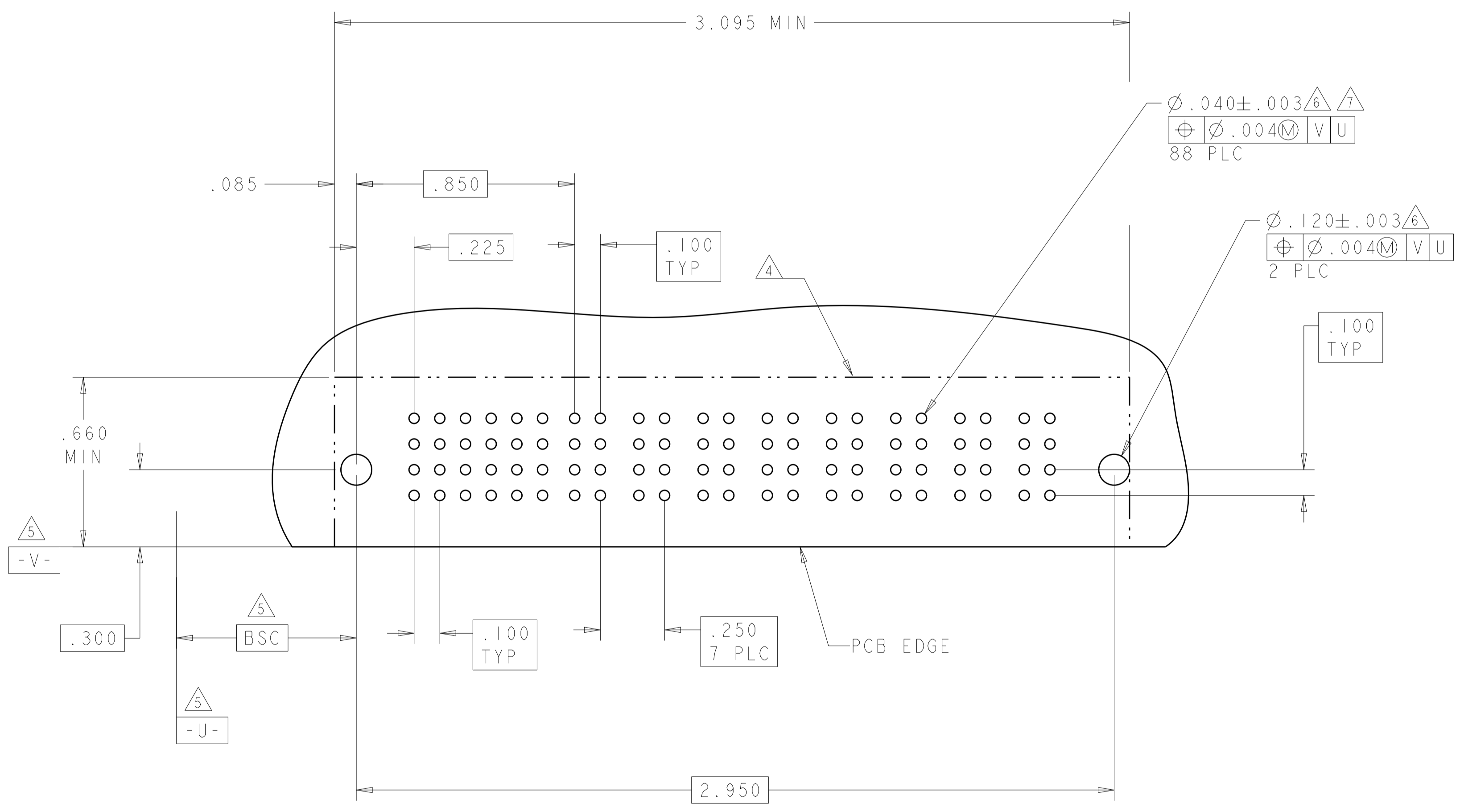
DIMENSIONS: INCHES	TOLERANCES UNLESS OTHERWISE SPECIFIED: 0 PLC ±. 2 PLC ±.01 3 PLC ±.005 4 PLC ±.0020 ANGLES ±.7°	DWN C. ZHOU CHK S. ZHAO APVD S. YAO	15OCT2007 15OCT2007	TE Connectivity NAME R/A HEADER WITH SHORT GUIDES AND LP CONTACTS ASSEMBLY MULTI-BEAM XLE	
MATERIAL	FINISH	PRODUCT SPEC 108-2292	APPLICATION SPEC 108-13038		SIZE A1
Customer Drawing		SCALE 4:1	SHEET 4	OF 17	REV L7

LOC	DIST	REVISIONS			
P	LTN	DESCRIPTION	DATE	OWN	APVD
-	-	SEE SHEET 1	-	-	-

PART NUMBER	ROWS	SIGNAL						POWER							
		1	2	3	4	5	6	P1	P2	P3	P4	P5	P6	P7	P8
6450831-7	D C B A	J	J	J	J	J	J	TM	TM	TM	TM	TM	TM	TM	TM
		K	K	K	K	K	K								
		N	N	N	G	N	N								
		S	S	S	H	S	S								
24S + 8P															

ASSY PART NUMBER	ROWS	SIGNAL						POWER					
		1	2	3	4	5	6	P1	P2	P3	P4	P5	P6
6450831-9	D C B A	J	J	J	J	J	J	TM	TM	TM	TM	TM	TM
		K	K	K	K	K	K						
		N	N	N	N	N	N						
		S	S	S	S	S	S						
24S + 6P													

REMARK:
 LAYOUT OF 6450831-9 IS THE SAME AS 6450831-6.



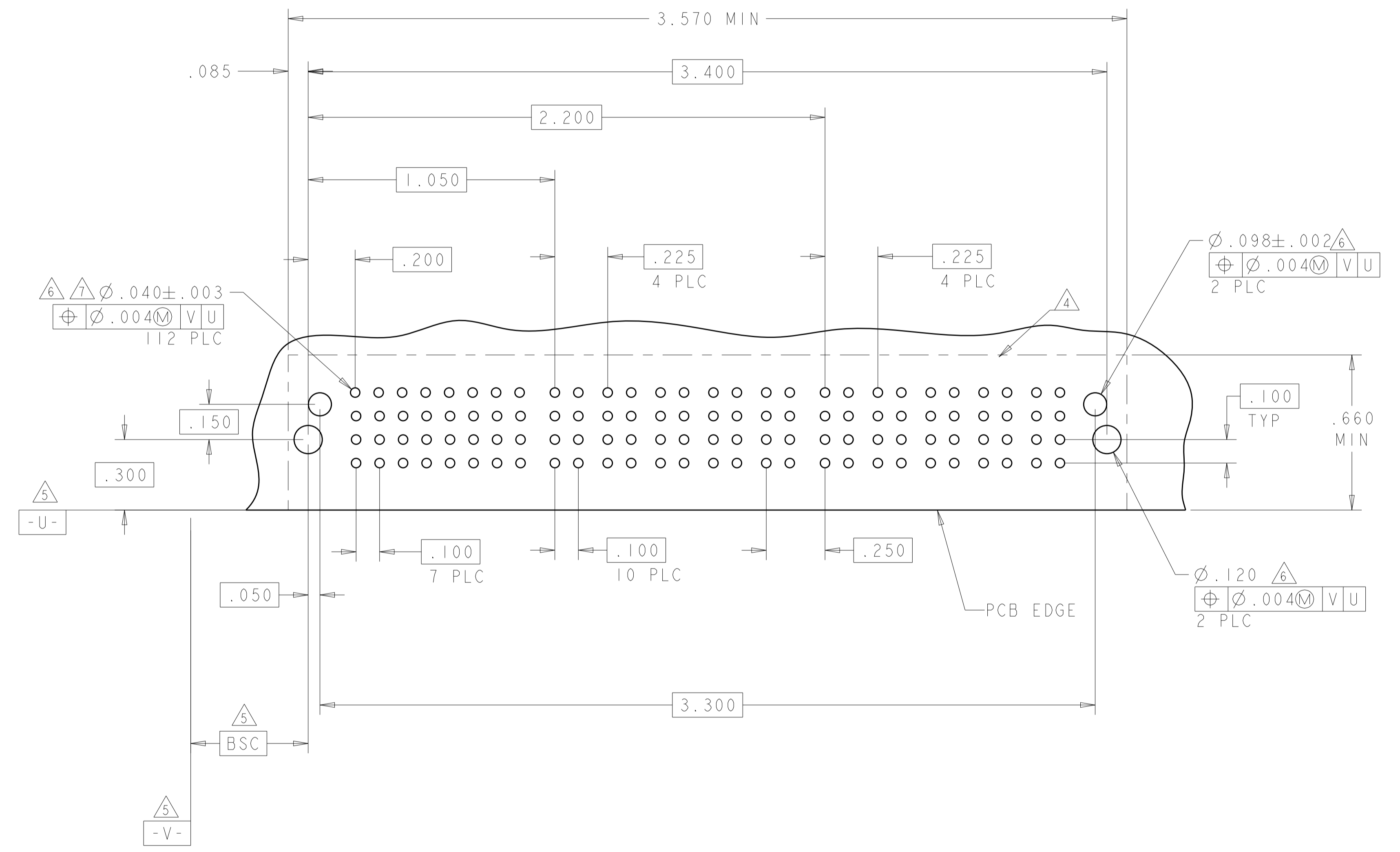
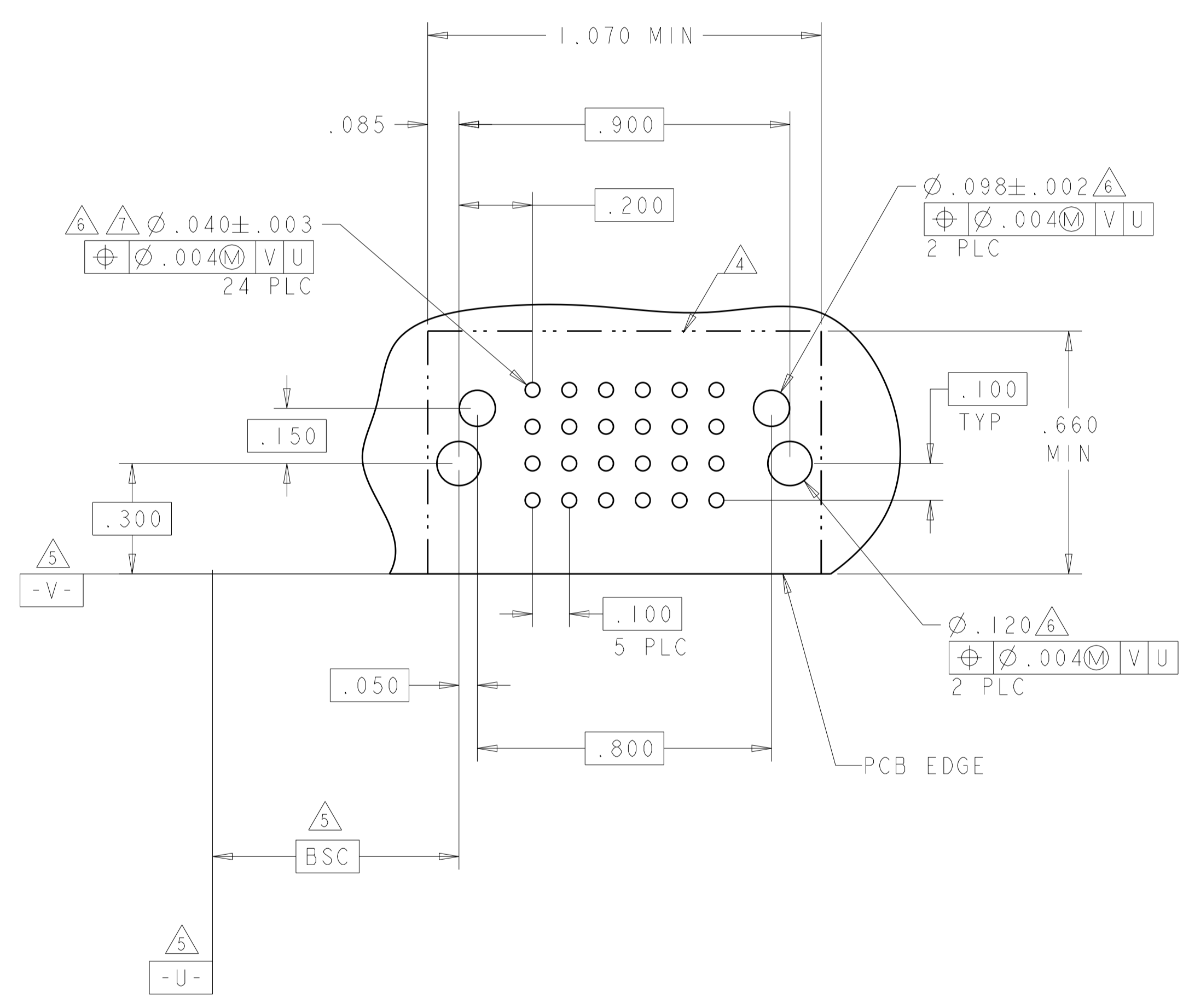
THIS DRAWING IS A CONTROLLED DOCUMENT.		OWN: C. ZHOU 15OCT2007	STE TE Connectivity
DIMENSIONS: INCHES		CHK: S. ZHAO 15OCT2007	
TOLERANCES UNLESS OTHERWISE SPECIFIED:		APVD: S. YAO	NAME: R/A HEADER WITH SHORT GUIDES AND LP CONTACTS ASSEMBLY MULTI-BEAM XLE
0 PLC ±.01		PRODUCT SPEC: 108-2292	SIZE: A1
1 PLC ±.01		APPLICATION SPEC: 108-13038	CAGE CODE: 00779
2 PLC ±.01		WEIGHT: -	DRAWING NO: 6450831
3 PLC ±.005		RESTRICTED TO: -	SCALE: 4:1
4 PLC ±.0020		Customer Drawing	SHEET 5 OF 17
ANGLES: ±.2°			REV: L7

LOC		DIST		REVISIONS			
P	LTN	DESCRIPTION	DATE	DMN	APVD		
-	-	SEE SHEET 1	-	-	-		

PART NUMBER	ROWS	SIGNAL					
		1	2	3	4	5	6
I-6450831-1	D	E	E	E	E	E	E
	C	F	F	F	F	F	F
	B	G	G	G	G	G	G
	A	HD	S	S	S	S	S
24S							

PART NUMBER	ROWS	SIGNAL								POWER										
		1	2	3	4	5	6	7	8	P1	P2	P3	P4	P5	P6	P7	P8	P9	P10	
I-6450831-2	D	J	J	J	J	J	J	J	J											
	C	K	K	K	K	K	K	K	K	TM	TM	TM	TM	TM	TM	TM	TM	TM	TM	
	B	N	N	N	N	N	N	N	N											
	A	HD	H	H	H	H	H	H	H											
32S + 10P																				

9 .225
8 PLC

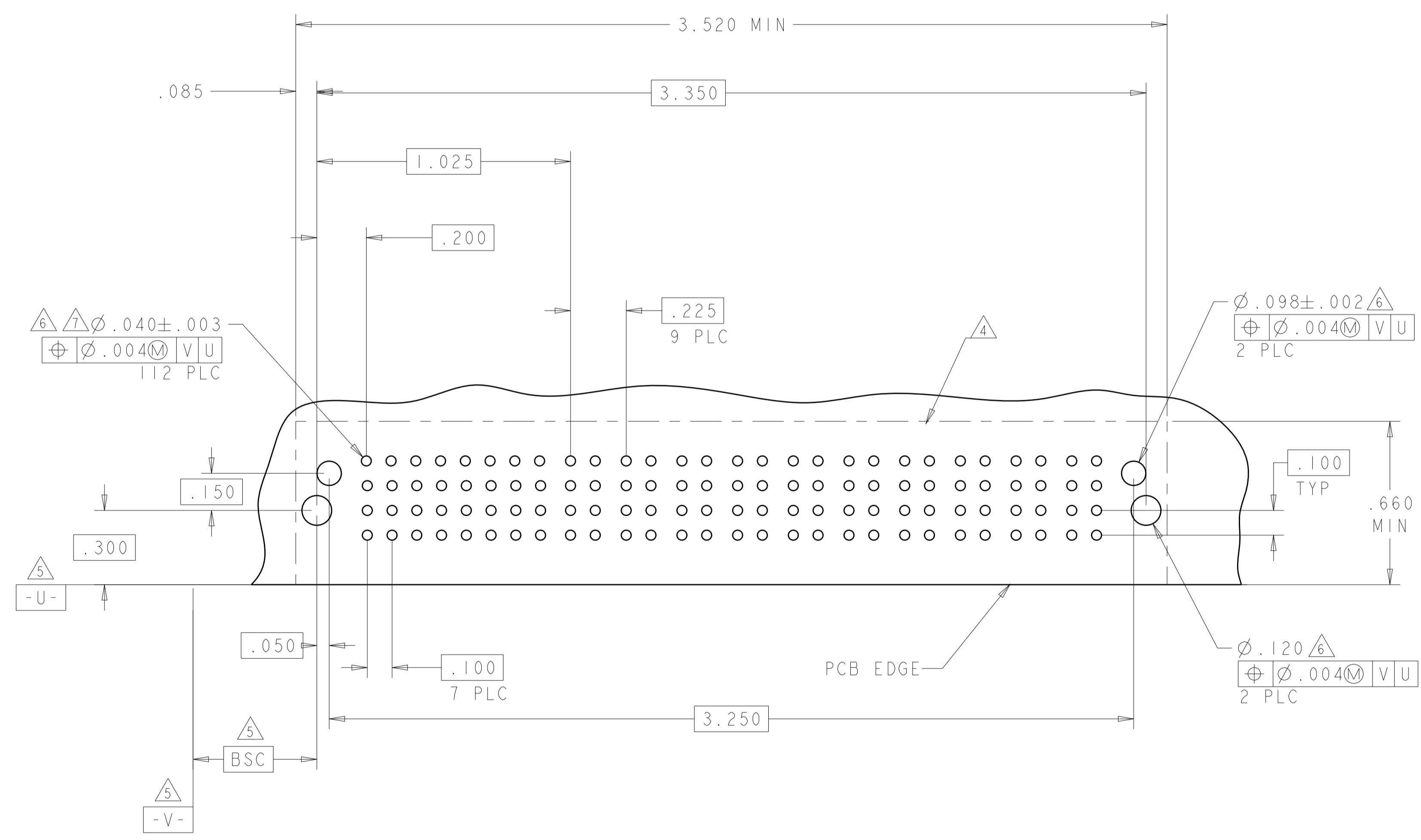


THIS DRAWING IS A CONTROLLED DOCUMENT.		DMN: C. ZHOU 15OCT2007	TE Connectivity
DIMENSIONS: INCHES		CHK: S. ZHAO 15OCT2007	
TOLERANCES UNLESS OTHERWISE SPECIFIED:		APVD: S. YAO	NAME: R/A HEADER WITH SHORT GUIDES AND LP CONTACTS ASSEMBLY MULTI-BEAM XLE
0 PLC ±. 1 PLC ±.01 2 PLC ±.01 3 PLC ±.005 4 PLC ±.0020 ANGLES ±.7°		PRODUCT SPEC: 108-2292	SIZE: A1
MATERIAL: -		APPLICATION SPEC: 108-13038	CAGE CODE: 6450831
FINISH: -		WEIGHT: -	RESTRICTED TO: -
		Customer Drawing	SCALE: 4:1 SHEET 6 OF 17 REV: 7

LOC	DIST	REVISIONS					
		P	LTN	DESCRIPTION	DATE	DMN	APVD
ES	00	-	-	SEE SHEET 1	-	-	-

PART NUMBER	ROWS	SIGNAL								POWER									
		1	2	3	4	5	6	7	8	P1	P2	P3	P4	P5	P6	P7	P8	P9	P10
1-6450831-3	D	J	J	J	J	J	J	J	J	TM	TM	TM	TM	TM	TM	TM	TM	TM	TM
	C	K	K	K	K	K	K	K	K										
	B	N	N	N	N	N	N	N	N										
	A	HD	H	H	H	H	H	H	H										HD

32S + 10P

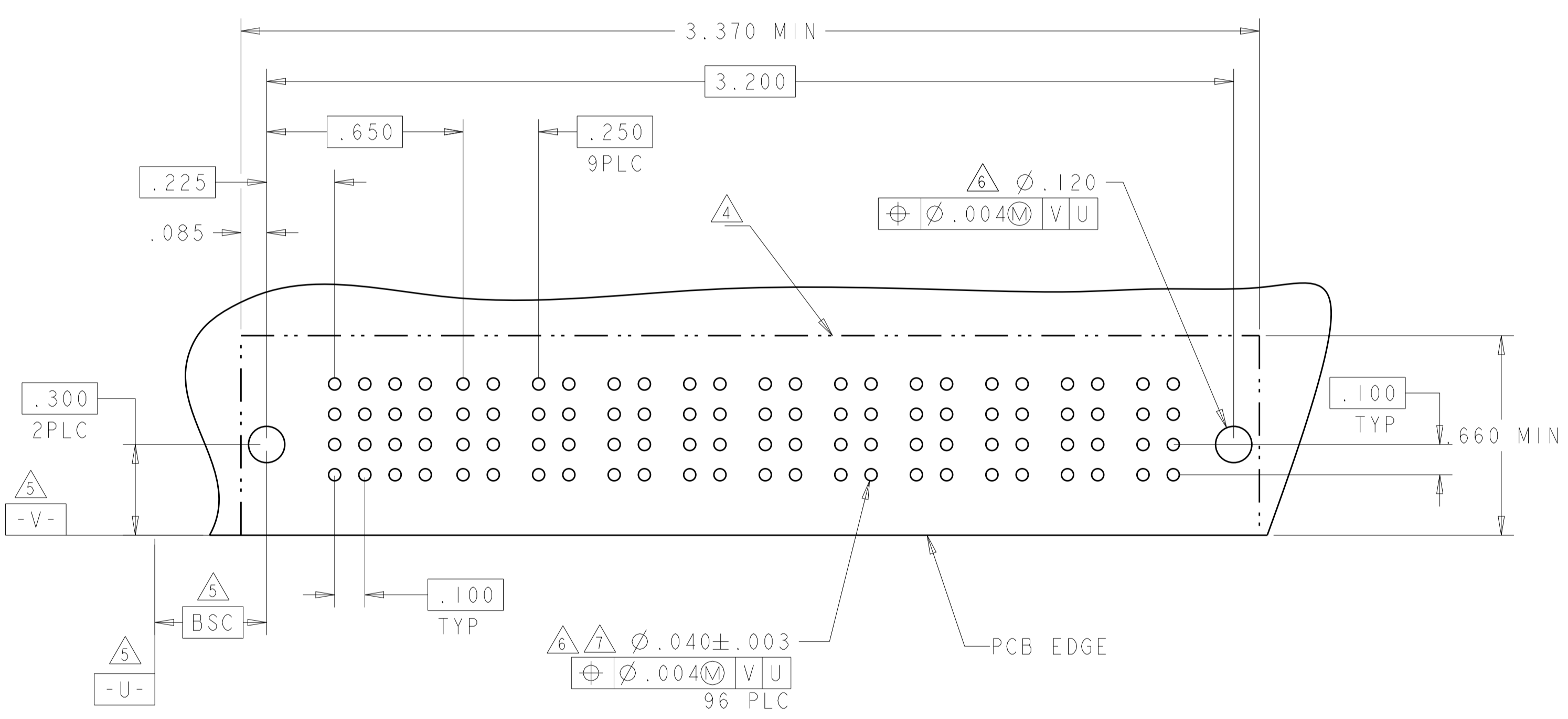


THIS DRAWING IS A CONTROLLED DOCUMENT.		DMN C. ZHOU CHK S. ZHAO	15OCT2007 15OCT2007	STE TE Connectivity
DIMENSIONS: INCHES	TOLERANCES UNLESS OTHERWISE SPECIFIED:	APVD S. YAO	NAME R/A HEADER WITH SHORT GUIDES AND LP CONTACTS ASSEMBLY MULTI-BEAM XLE	
	0 PLC ±	PRODUCT SPEC	SIZE A100779	RESTRICTED TO
	1 PLC ±.01	108-2292	CAGE CODE DRAWING NO C=6450831	
MATERIAL	FINISH	APPLICATION SPEC	SCALE 4:1	SHEET 7 OF 17
		108-13038	REV L7	
Customer Drawing				

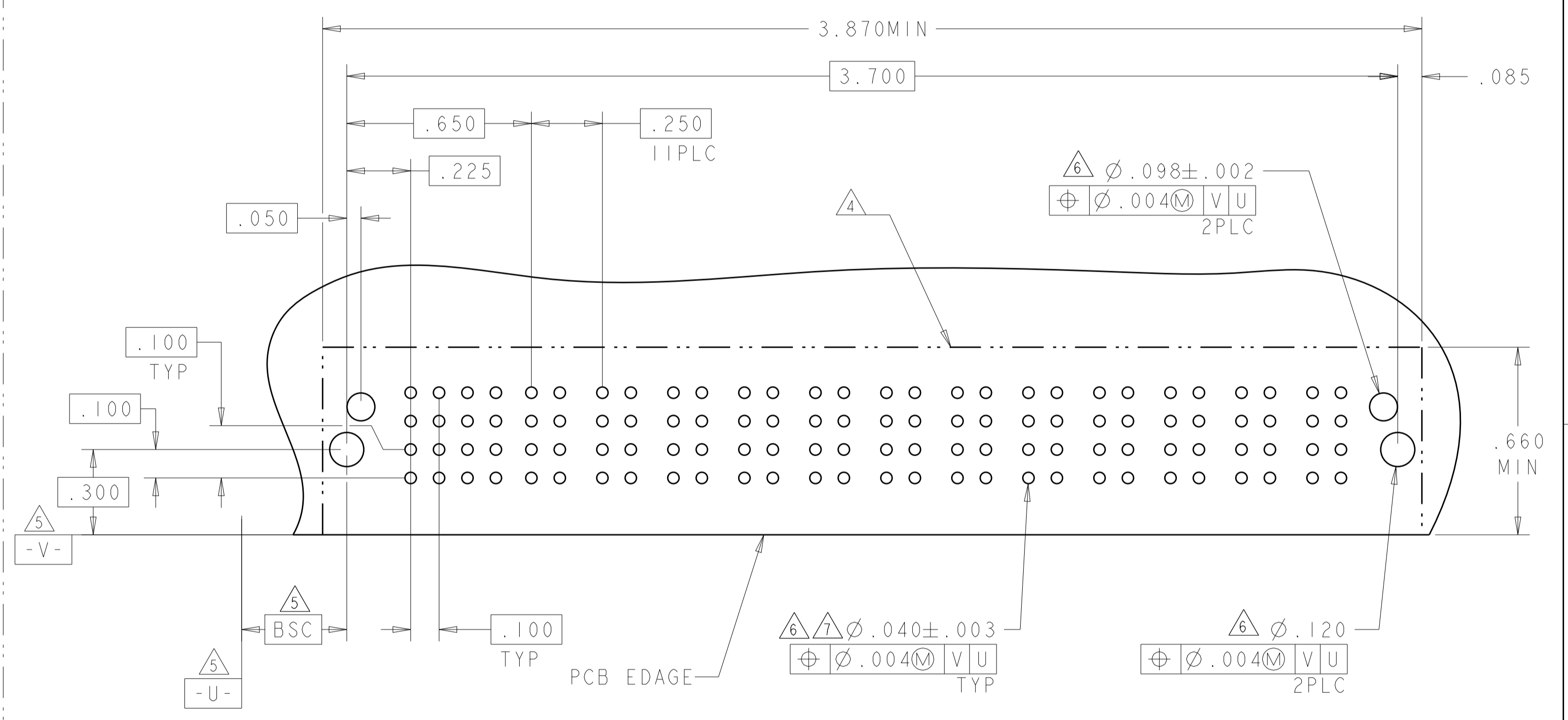
LOC	DIST	REVISIONS			
P	LTN	DESCRIPTION	DATE	DMN	APVD
-	-	SEE SHEET 1	-	-	-

PART NUMBER	ROWS	SIGNAL				POWER														
		1	2	3	4	P1	P2	P3	P4	P5	P6	P7	P8	P9	P10					
I-6450831-7	D	E	E	J	J															
	C	K	K	K	K															
	B	N	N	N	N	TM	TM	TM	TM	TM	TM	TM	TM	TM	TM	TM	TM	TM	TM	TM
	A	S	S	S	S															
16S + 10P																				

PART NUMBER	ROWS	SIGNAL				POWER														
		1	2	3	4	P1	P2	P3	P4	P5	P6	P7	P8	P9	P10	P11	P12			
I-6450831-8	D	E	E	J	J															
	C	K	K	K	K	TM	TM	TM	TM	TM	TM	TM	TM	TM	TM	TM	TM	TM	TM	TM
	B	N	N	N	N															
16S + 12P																				



RECOMMENDED PCB LAYOUT



RECOMMENDED PCB LAYOUT

THIS DRAWING IS A CONTROLLED DOCUMENT.		DMN C. ZHOU CHK S. ZHAO	15OCT2007 15OCT2007	TE Connectivity NAME R/A HEADER WITH SHORT GUIDES AND LP CONTACTS ASSEMBLY MULTI-BEAM XLE	
DIMENSIONS: INCHES		TOLERANCES UNLESS OTHERWISE SPECIFIED: 0 PLC ±. 1 PLC ±.01 2 PLC ±.01 3 PLC ±.005 4 PLC ±.0020 ANGLES ±.2° FINISH			
MATERIAL		SCALE 4:1		SHEET 10 OF 17	

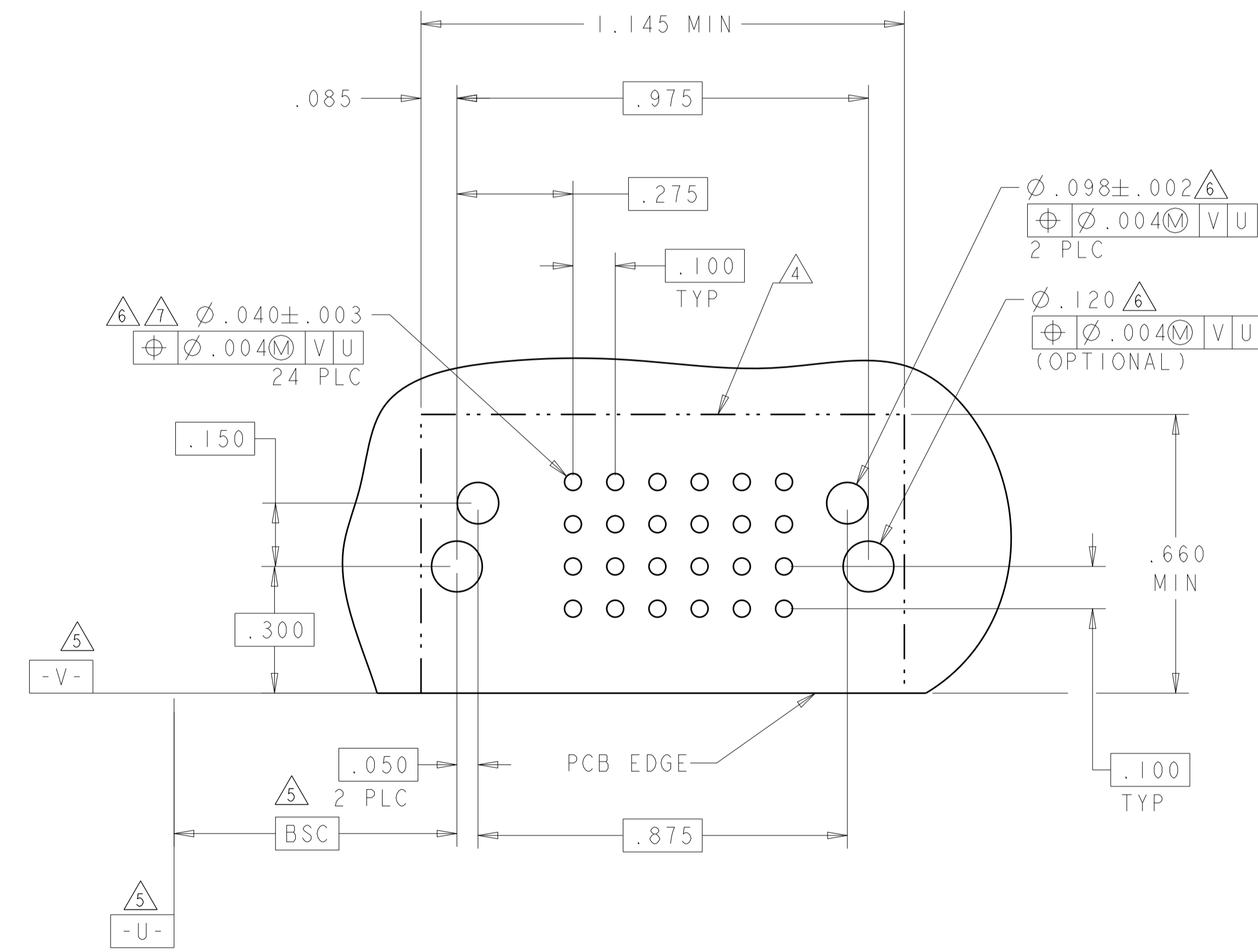
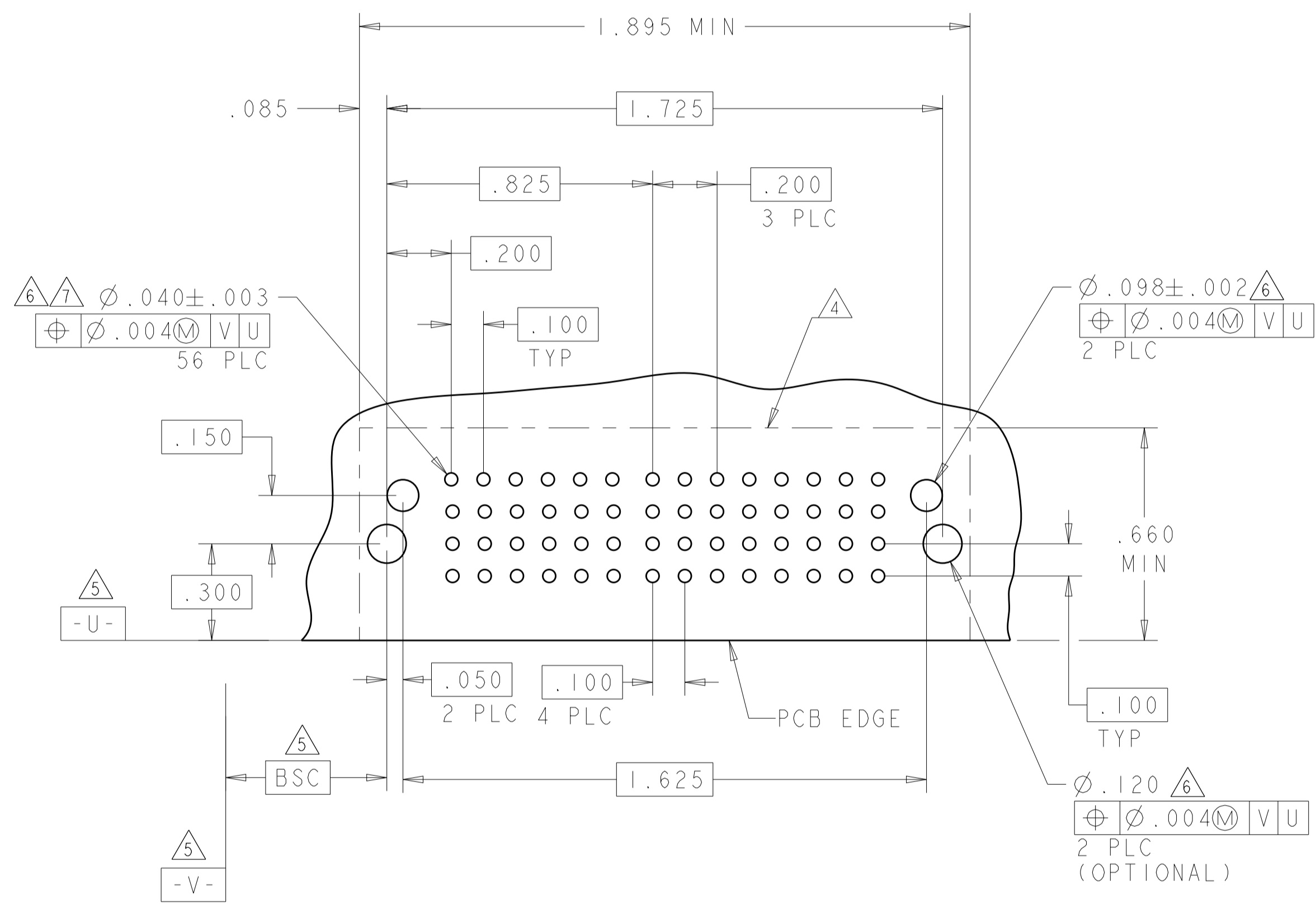
LOC	DIST	REVISIONS			
P	LTN	DESCRIPTION	DATE	DMN	APVD
ES	00	SEE SHEET 1			

PART NUMBER	ROWS	SIGNAL						POWER			
		1	2	3	4	5	6	P1	P2	P3	P4
1-6450831-9	D	J	J	J	J	J	J	TM	TM	TM	TM
	C	K	K	K	K	K	K				
	B	N	N	N	N	N	N				
	A	HD	S	S	S	S	S				
24S + 4P											

PART NUMBER	ROWS	SIGNAL					
		1	2	3	4	5	6
2-6450831-0	D	J	J	J	J	J	J
	C	K	K	K	K	K	K
	B	N	N	N	N	N	N
	A	HD	S	S	S	S	S
24S							

PART NUMBER	ROWS	SIGNAL					
		1	2	3	4	5	6
2-6450831-1	D	J	J	J	E	E	E
	C	K	K	K	K	F	F
	B	N	N	N	N	G	G
	A	HD	S	S	S	H	H
24S							

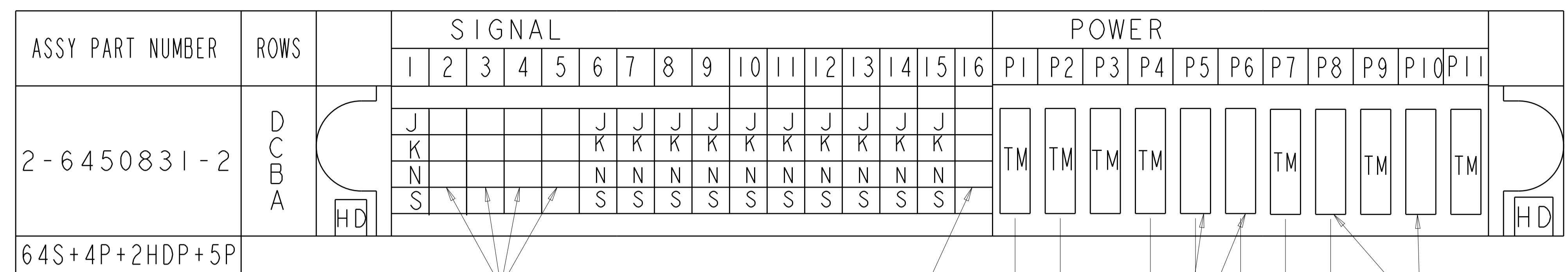
J4



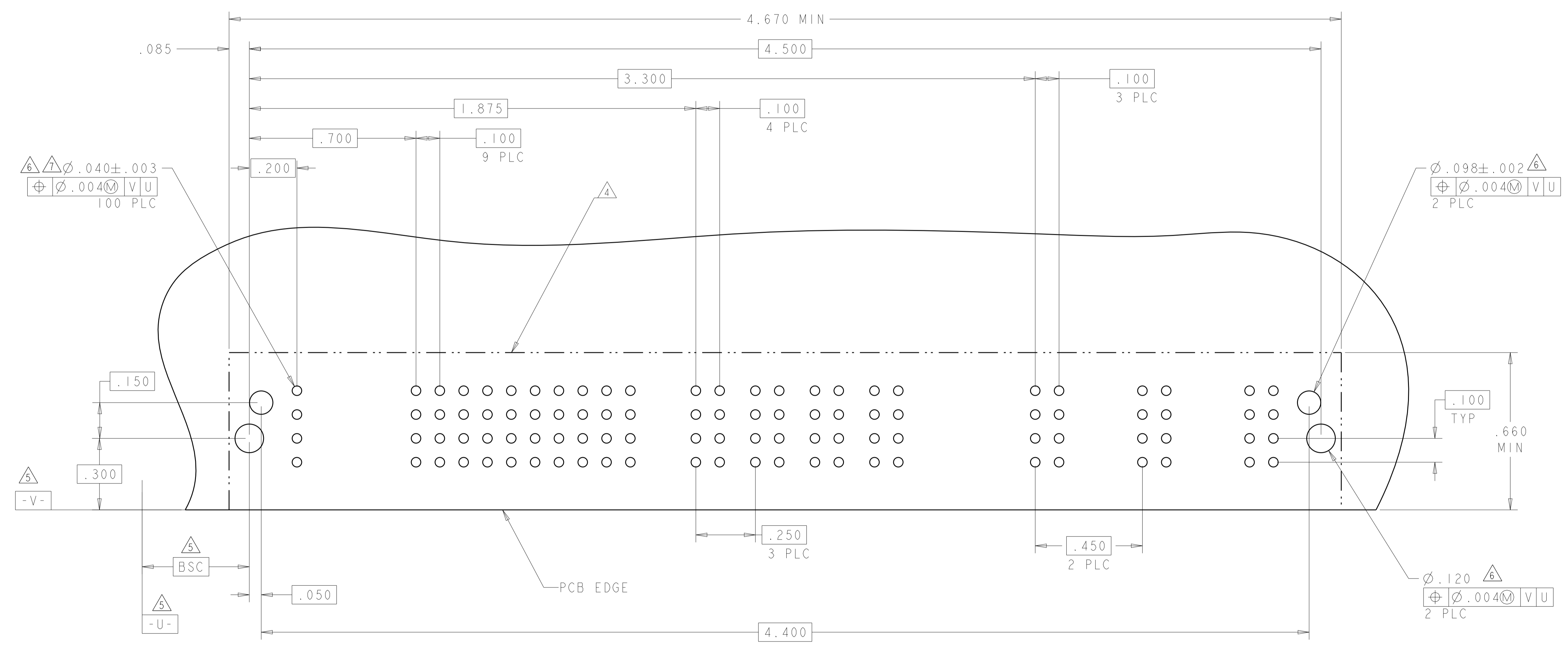
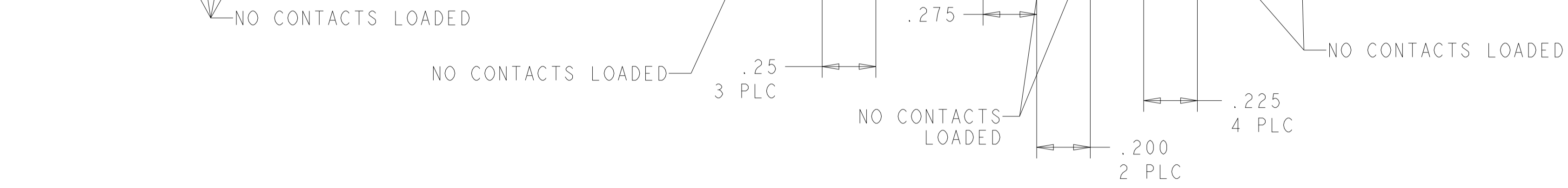
RECOMMEND PCB BOARD FOR 2-6450831-0 AND 2-6450831-1

THIS DRAWING IS A CONTROLLED DOCUMENT.		DMN C. ZHOU CHK S. ZHAO	15OCT2007 15OCT2007	 TE Connectivity
DIMENSIONS: INCHES	TOLERANCES UNLESS OTHERWISE SPECIFIED:	APVD S. YAO	NAME R/A HEADER WITH SHORT GUIDES AND LP CONTACTS ASSEMBLY MULTI-BEAM XLE	
	0 PLC ± 1 PLC ±.01 2 PLC ±.01 3 PLC ±.005 4 PLC ±.002 ANGLES ±.020	PRODUCT SPEC 108-2292	APPLICATION SPEC 108-13038	RESTRICTED TO
MATERIAL	FINISH	WEIGHT	SIZE A100779	Customer Drawing
		SCALE 4:1	SHEET 11	OF 17
		REV L7		

LOC	DIST	REV	DATE	BY	APPV
ES	00				
REVISIONS			DESCRIPTION	DATE	BY
			SEE SHEET 1		



64S+4P+2HDP+5P



THIS DRAWING IS A CONTROLLED DOCUMENT.

DIMENSIONS:	TOLERANCES UNLESS OTHERWISE SPECIFIED:	OWN	15OCT2007
INCHES	0 PLC ±	C. ZHOU	15OCT2007
	1 PLC ±.01	S. ZHAO	15OCT2007
	2 PLC ±.01	APVD	
	3 PLC ±.005	S. YAO	
	4 PLC ±.002	PRODUCT SPEC	
	ANGLES ±.020	108-2292	
	FINISH *P	APPLICATION SPEC	
MATERIAL		108-13038	
		WEIGHT	

Customer Drawing

SCALE 4:1 SHEET 12 OF 17 REV L7

NAME R/A HEADER WITH SHORT GUIDES AND LP CONTACTS ASSEMBLY MULTI-BEAM XLE

SIZE CAGE CODE DRAWING NO RESTRICTED TO

A100779C=6450831

LOC	DIST	REVISIONS			
P	LTN	DESCRIPTION	DATE	DMN	APVD
-	-	SEE SHEET 1	-	-	-

PART NUMBER	ROWS	SIGNAL						POWER											
		1	2	3	4	5	6	P1	P2	P3	P4	P5	P6	P7	P8	P9	P10	P11	P12
2-6450831-3	D	J	J	J	J	J	J												
	C	F	K	K	K	K	K	TM	TM	TM	TM	TM	TM	TM	TM	TM	TM	TM	
	B	N	G	G	N	N	N												
	A	H	S	S	S	H	S												

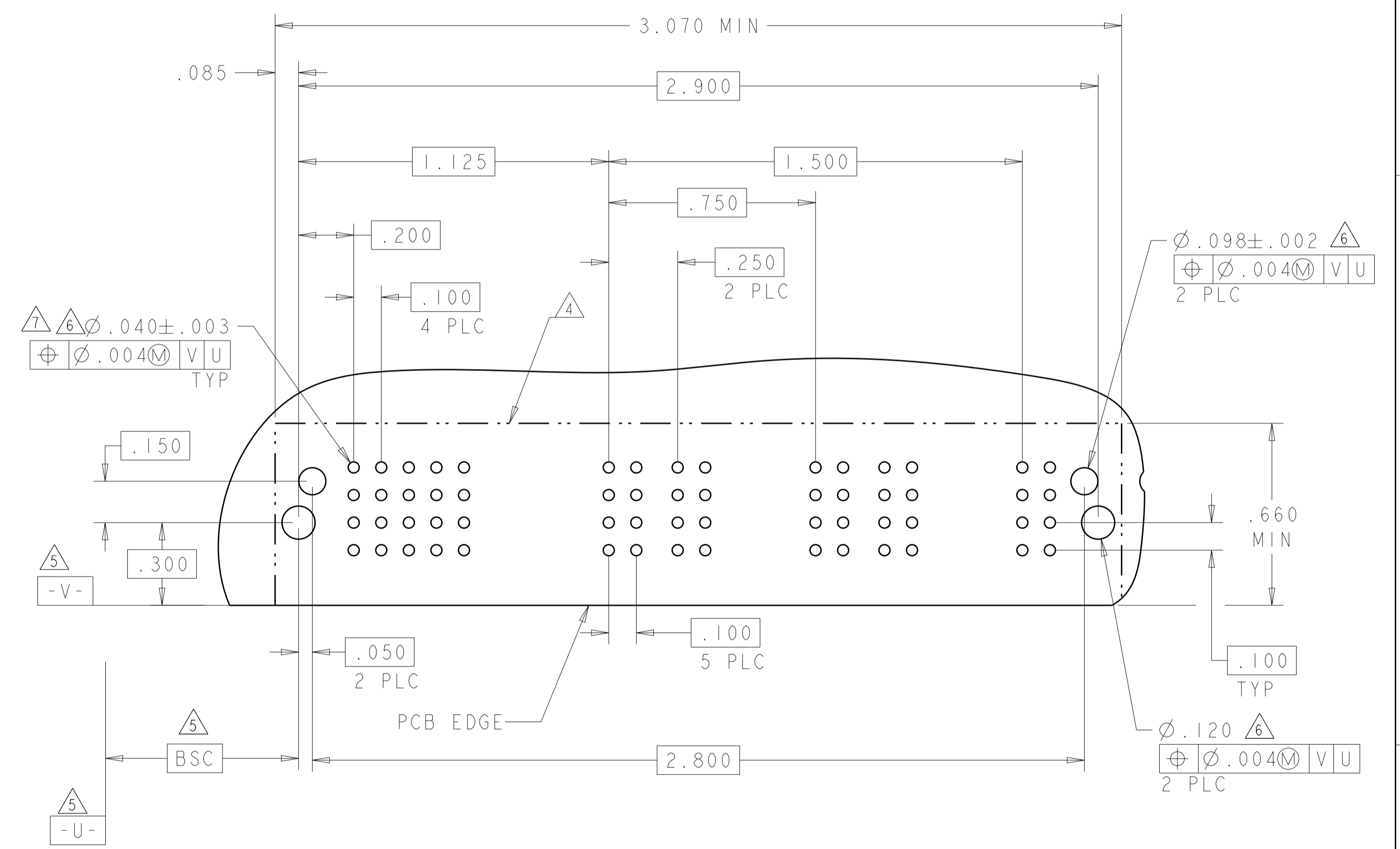
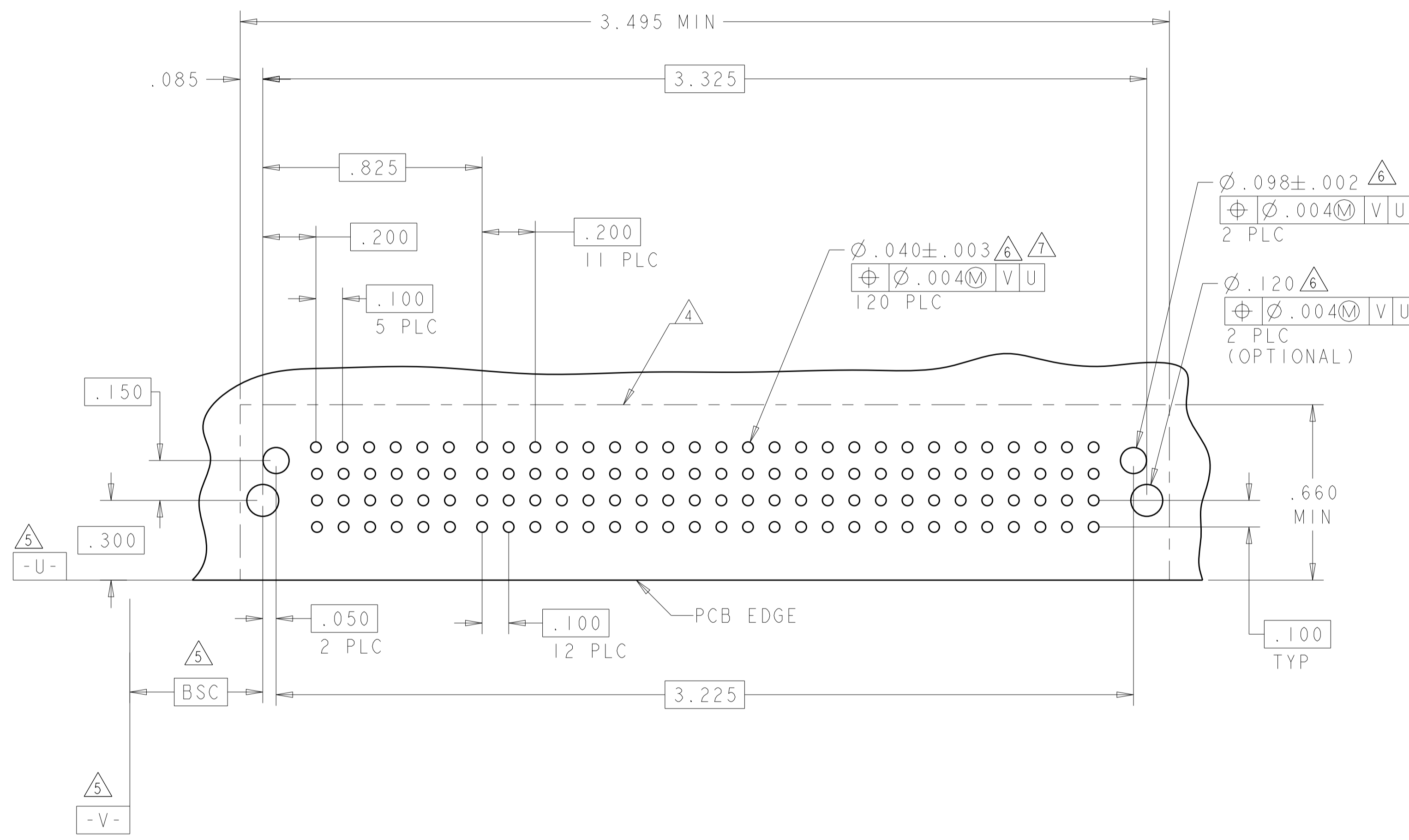
24S + 12HDP

PART NUMBER	ROWS	SIGNAL						POWER										
		1	2	3	4	5	6	P1	P2	P3	P4	P5	P6	P7	P8			
2-6450831-4	D	J	J	J	J	J	J											
	C	K	K	K	K	K	K	TM	TM									
	B	N	N	N	N	N	N											
	A	S	S	S	S	S	S											

24S + 8P

NO CONTACTS LOADED

NO CONTACTS LOADED



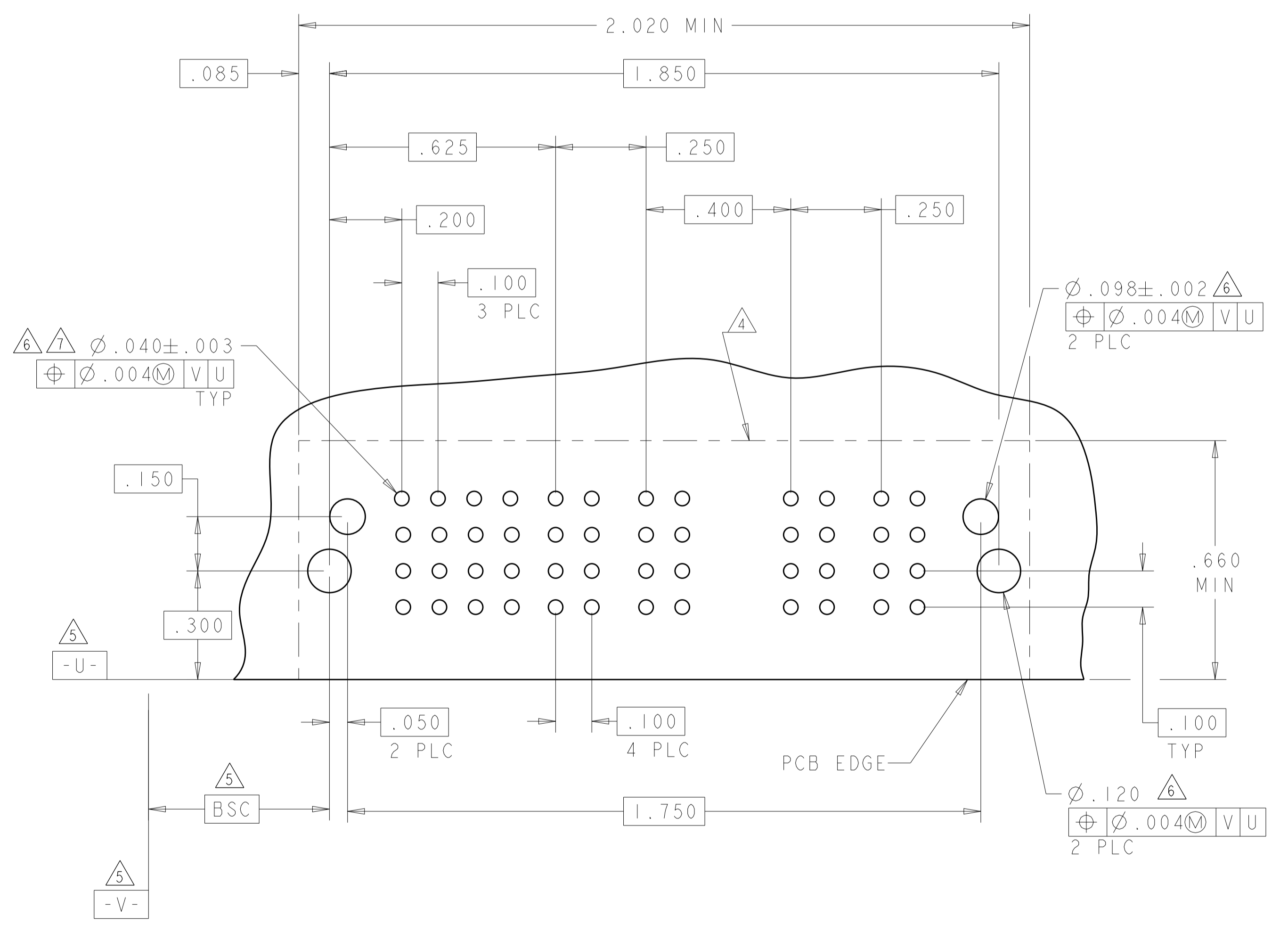
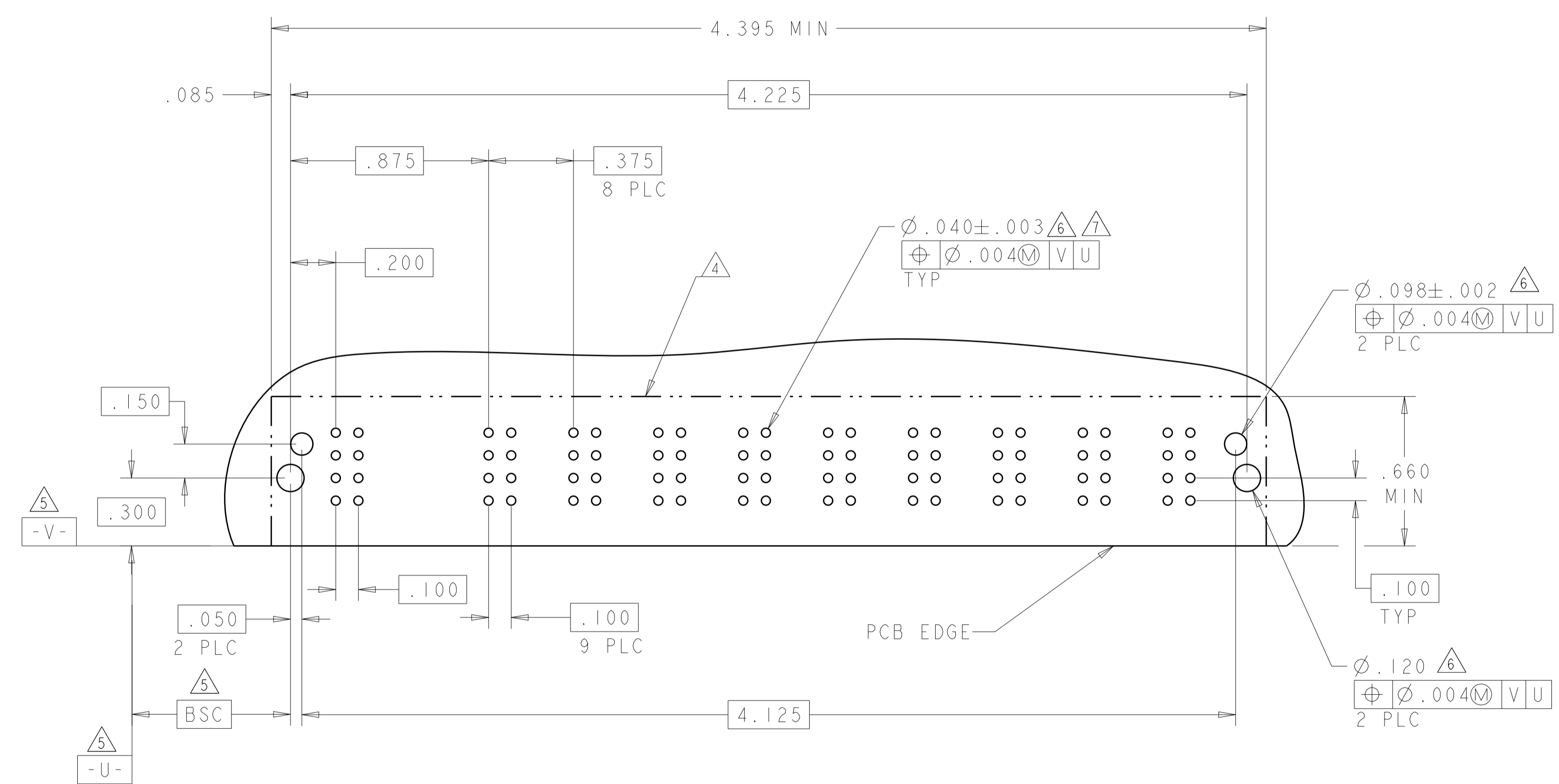
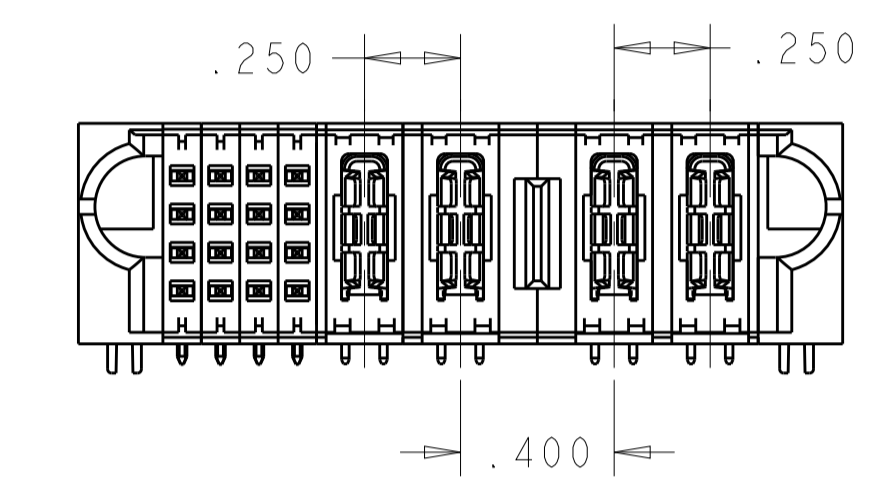
THIS DRAWING IS A CONTROLLED DOCUMENT.		DMN C. ZHOU CHK S. ZHAO	15OCT2007 15OCT2007	STE TE Connectivity
DIMENSIONS: INCHES	TOLERANCES UNLESS OTHERWISE SPECIFIED:	APVD S. YAO	NAME R/A HEADER WITH SHORT GUIDES AND LP CONTACTS ASSEMBLY MULTI-BEAM XLE	
	0 PLC ±. 1 PLC ±.01 2 PLC ±.01 3 PLC ±.005 4 PLC ±.002 ANGLES ±.020	PRODUCT SPEC 108-2292	APPLICATION SPEC 108-13038	RESTRICTED TO
MATERIAL	FINISH	WEIGHT	SIZE A100779	SCALE 4:1
Customer Drawing		CAGE CODE DRAWING NO C=6450831		SHEET 13 OF 17 REV L7

LOC	DIST	REVISIONS			
P	LTN	DESCRIPTION	DATE	DMN	APVD
ES	00	SEE SHEET 1			

PART NUMBER	ROWS	SIGNAL						POWER									
		I	2	3	4	5	6	P1	P2	P3	P4	P5	P6	P7	P8	P9	
2-6450831-5	D	J	J														
	C	K	K				TM	TM	TM	TM	TM	TM	TM	TM	TM		
	B	N	N														
	A	S	S														
24S + 9P		HD															HD

NO CONTACTS LOADED

PART NUMBER	ROWS	SIGNAL				POWER			
		I	2	3	4	P1	P2	P3	P4
2-6450831-6	D	J	E	J	J				
	C	K	K	K	K	TM	TM		
	B	N	N	N	N			TM	TM
	A	S	S	S	H				
16S + 4P		HD						HD	



THIS DRAWING IS A CONTROLLED DOCUMENT.

DIMENSIONS:	TOLERANCES UNLESS OTHERWISE SPECIFIED:	DMN	C. ZHOU	15OCT2007
INCHES	0 PLC ± .01	CHK	S. ZHAO	15OCT2007
	1 PLC ± .01	APVD	S. YAO	
	2 PLC ± .01	PRODUCT SPEC		
	3 PLC ± .01	APPLICATION SPEC		
	4 PLC ± .005	108-2292		
	5 PLC ± .002	108-13038		
	ANGLES ± .020	WEIGHT		
MATERIAL	FINISH	Customer Drawing		

NAME: R/A HEADER WITH SHORT GUIDES AND LP CONTACTS ASSEMBLY MULTI-BEAM XLE

SIZE: A1 CAGE CODE: 6450831 DRAWING NO: 100779

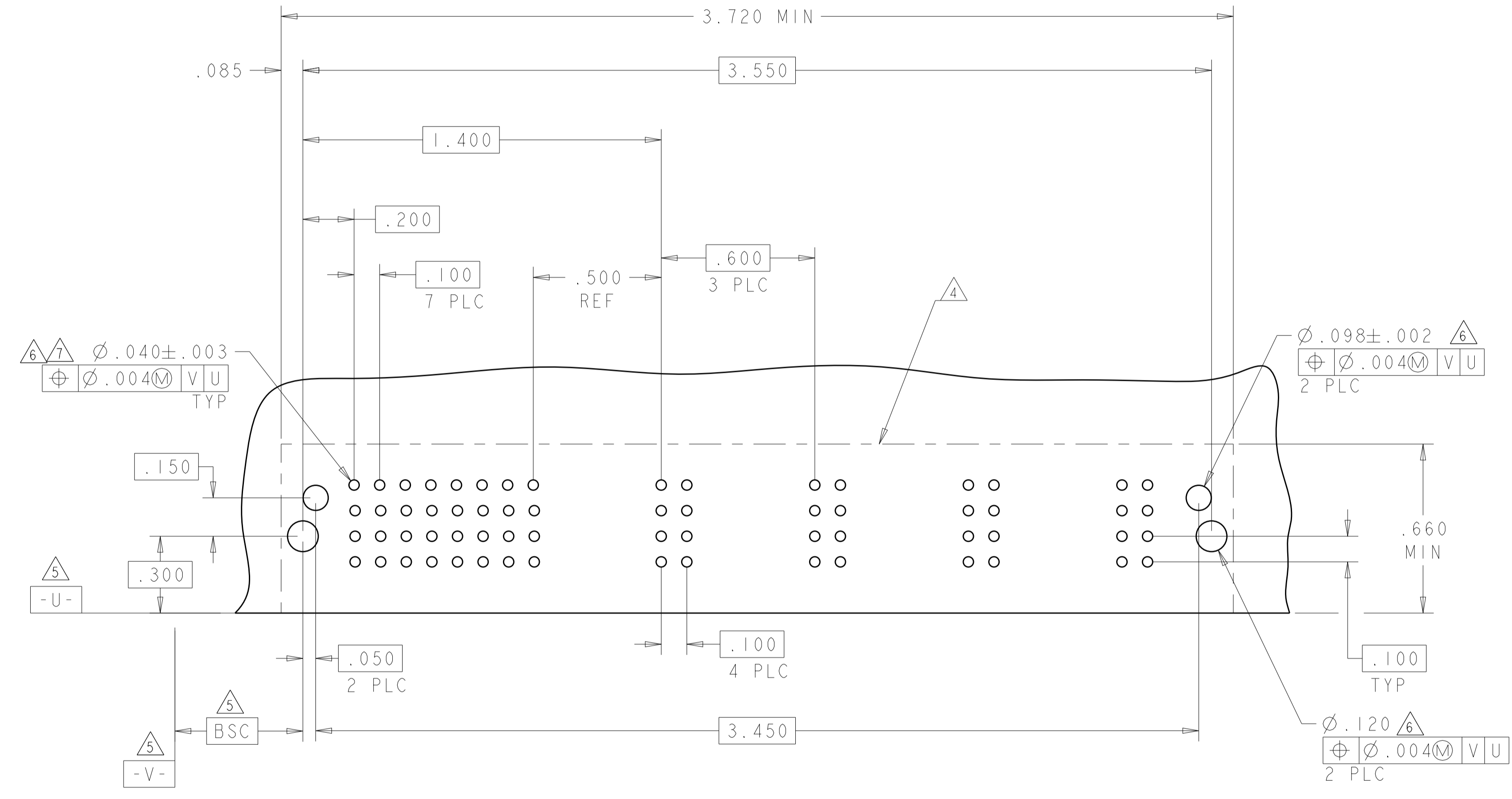
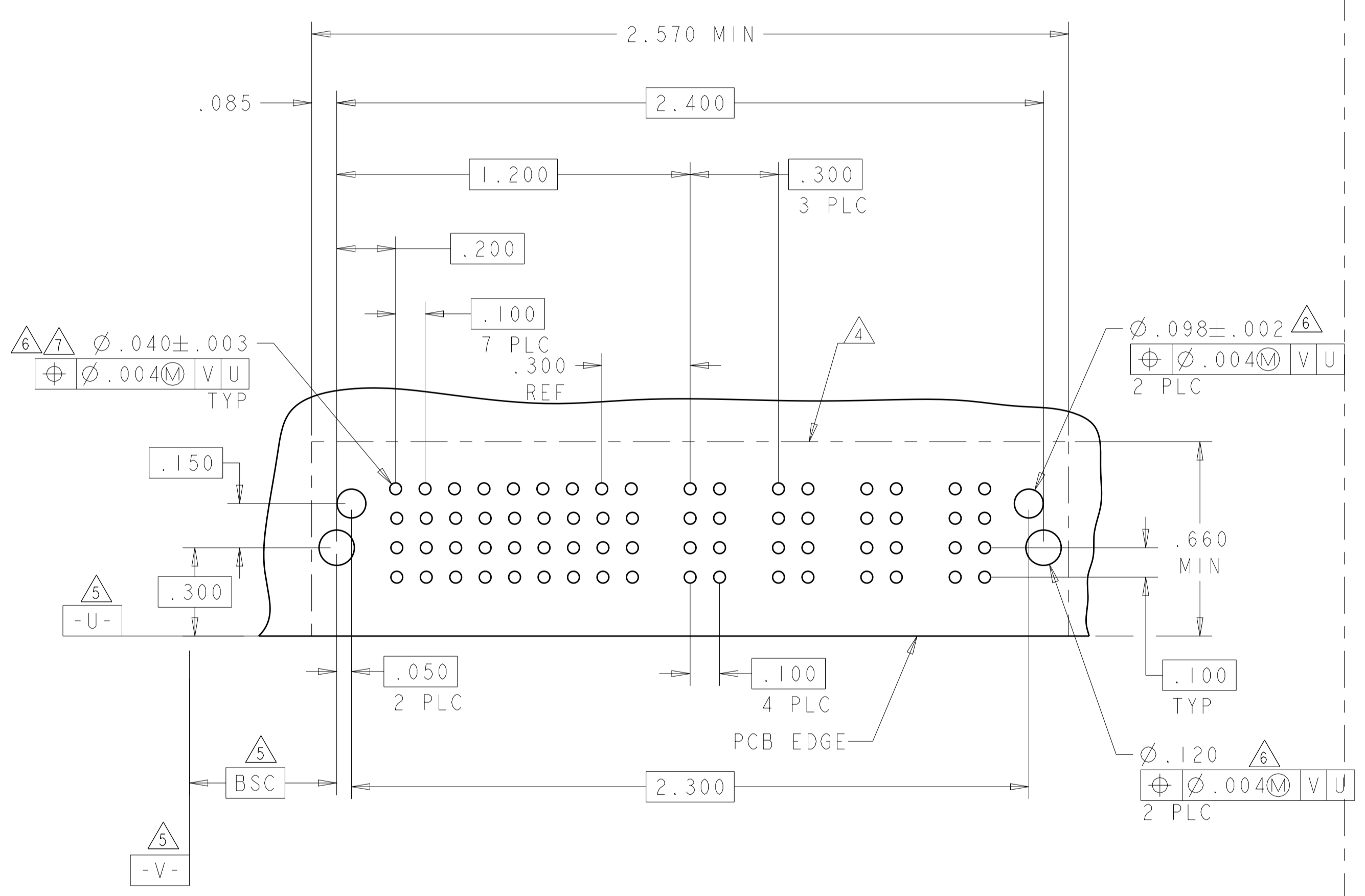
SCALE: 4:1 SHEET 14 OF 17 REV: 7

LOC	DIST	REVISIONS			
P	LTN	DESCRIPTION	DATE	DMN	APVD
ES	00	SEE SHEET 1			

PART NUMBER	ROWS	SIGNAL								POWER			
		1	2	3	4	5	6	7	8	P1	P2	P3	P4
2-6450831-7	D	J	J	J	J	J	J	J	J				
	C	K	K	K	K	K	K	K	K				
	B	N	N	N	N	N	N	N	N				
	A	S	S	S	S	S	S	S	S				
32S + 4ACP													

PART NUMBER	ROWS	SIGNAL								POWER							
		1	2	3	4	5	6	7	8	P1	P2	P3	P4	P5	P6	P7	P8
2-6450831-8	D	E	J	J	J	J	J	J	J								
	C	K	K	K	K	K	K	K	K								
	B	N	N	N	N	N	N	N	N								
	A	S	S	S	S	S	S	S	S	FS							
32S + 8ACP																	

NO CONTACTS LOADED



THIS DRAWING IS A CONTROLLED DOCUMENT.

DIMENSIONS:	TOLERANCES UNLESS OTHERWISE SPECIFIED:	DMN	15OCT2007
INCHES	0 PLC ±	CHK	S. ZHAO 15OCT2007
	1 PLC ±.01	APVD	S. YAO
	2 PLC ±.01	PRODUCT SPEC	
	3 PLC ±.005	APPLICATION SPEC	
	4 PLC ±.0020	108-13038	
	ANGLES ±.2°	WEIGHT	
MATERIAL	FINISH	Customer Drawing	

NAME: R/A HEADER WITH SHORT GUIDES AND LP CONTACTS ASSEMBLY MULTI-BEAM XLE

SIZE: A1 00779 C=6450831

SCALE: 4:1 SHEET 15 OF 17 REV: 7

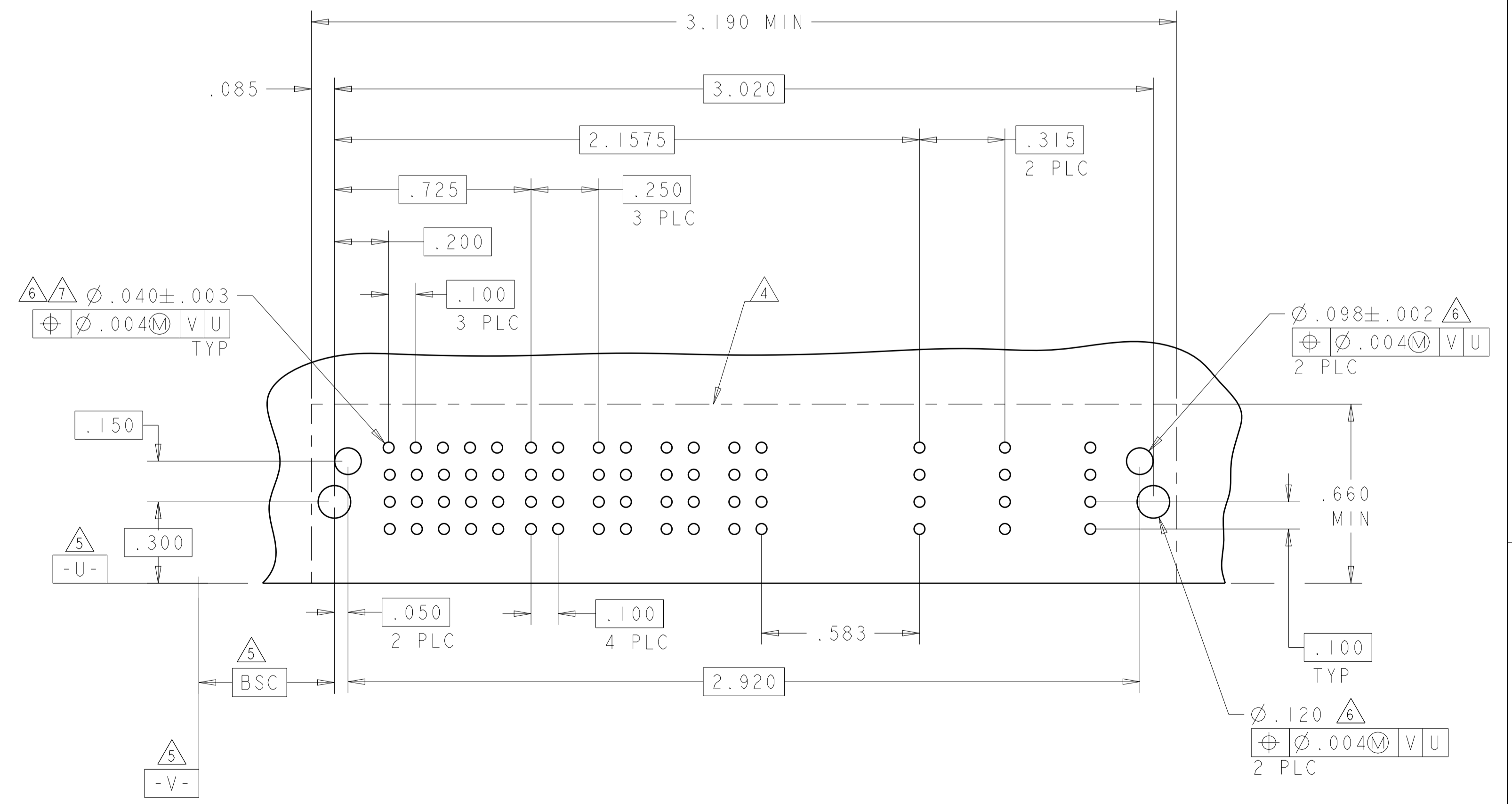
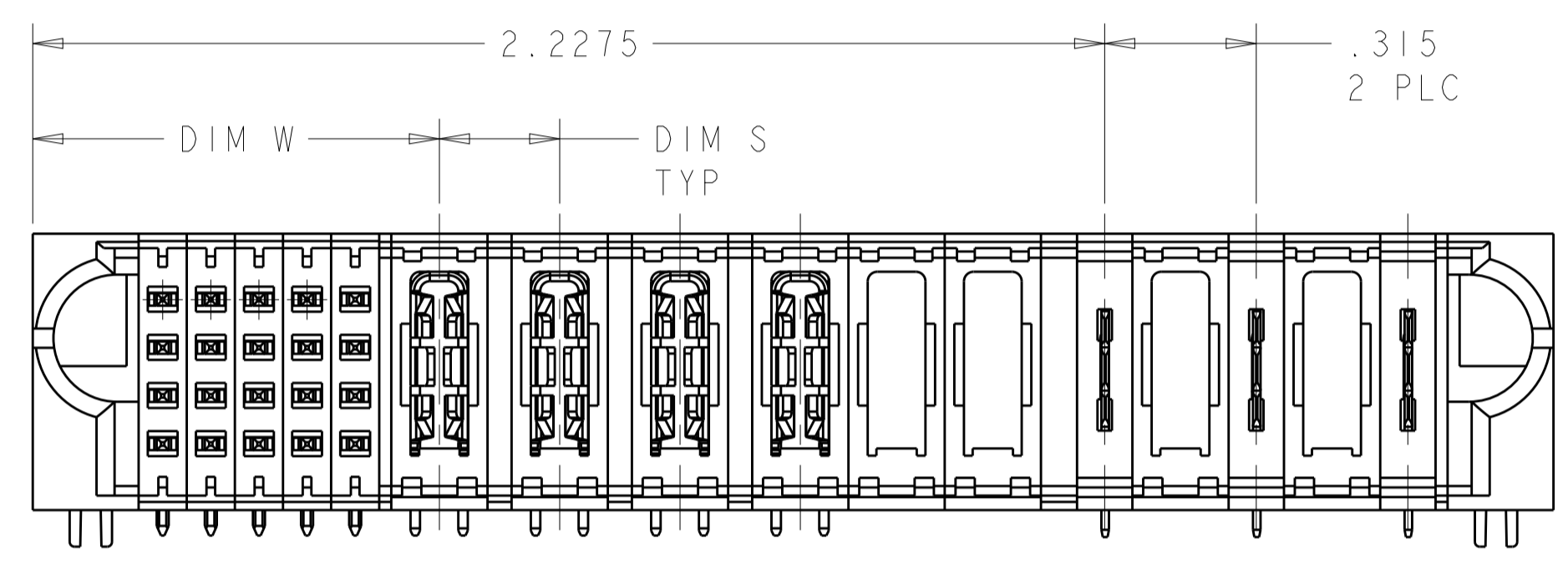
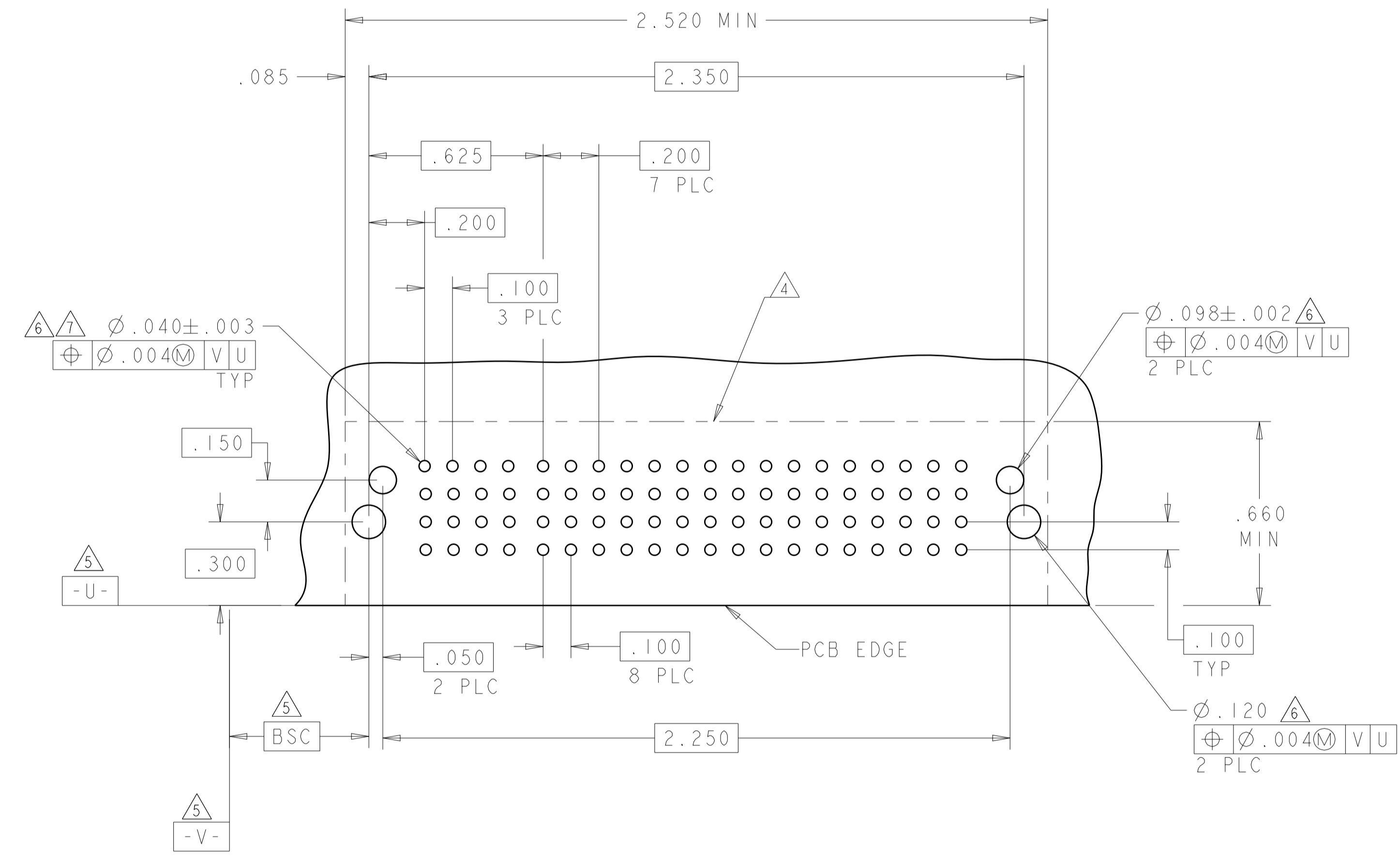
LOC		DIST		REVISIONS			
ES		00		REV	DATE	BY	APPD
				1	SEE SHEET 1		

PART NUMBER	ROWS	SIGNAL				POWER								
		I	2	3	4	P1	P2	P3	P4	P5	P6	P7	P8	
2-6450831-9	D	J	J	J	J									
	C	K	K	K	K	TM	TM	TM	TM	TM	TM	TM	TM	
	B	N	G	N	N									
	A	HD	S	S	S	S							HD	

16S + 8HDP

PART NUMBER	ROWS	SIGNAL					POWER				LOW POWER		
		I	2	3	4	5	P1	P2	P3	P4	LP1	LP2	LP3
3-6450831-0	D	J	J	J	J	J							
	C	K	K	K	K	K	TM	TM	TM	TM	LM	LM	LMF
	B	N	N	N	N	N							
	A	HD	H	H	H	S							HD

20S + 4P + 3LP



THIS DRAWING IS A CONTROLLED DOCUMENT. DWN: C. ZHOU 15OCT2007
 CHK: S. ZHAO 15OCT2007

TE Connectivity

R/A HEADER WITH SHORT GUIDES AND LP CONTACTS ASSEMBLY MULTI-BEAM XLE

SIZE: CAGE CODE: DRAWING NO: A100779C=6450831
 RESTRICTED TO: -

Customer Drawing SCALE: 4:1 SHEET 16 OF 17 REV: L7

DIMENSIONS:	TOLERANCES UNLESS OTHERWISE SPECIFIED:
INCHES	0 PLC ± .01
	1 PLC ± .01
	2 PLC ± .01
	3 PLC ± .005
	4 PLC ± .002
	ANGLES ± .020
	FINISH: #2

