

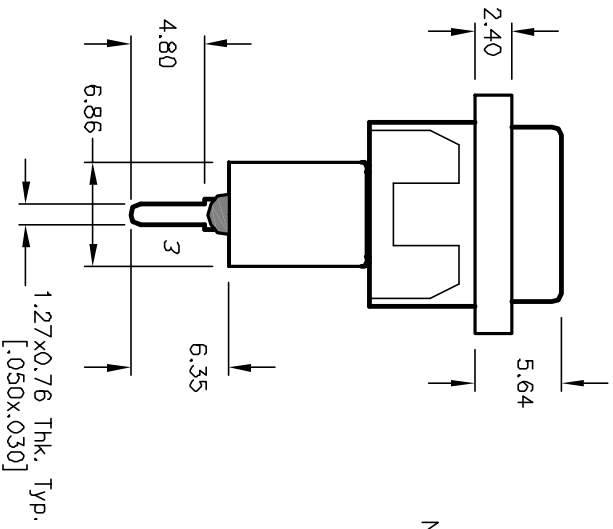
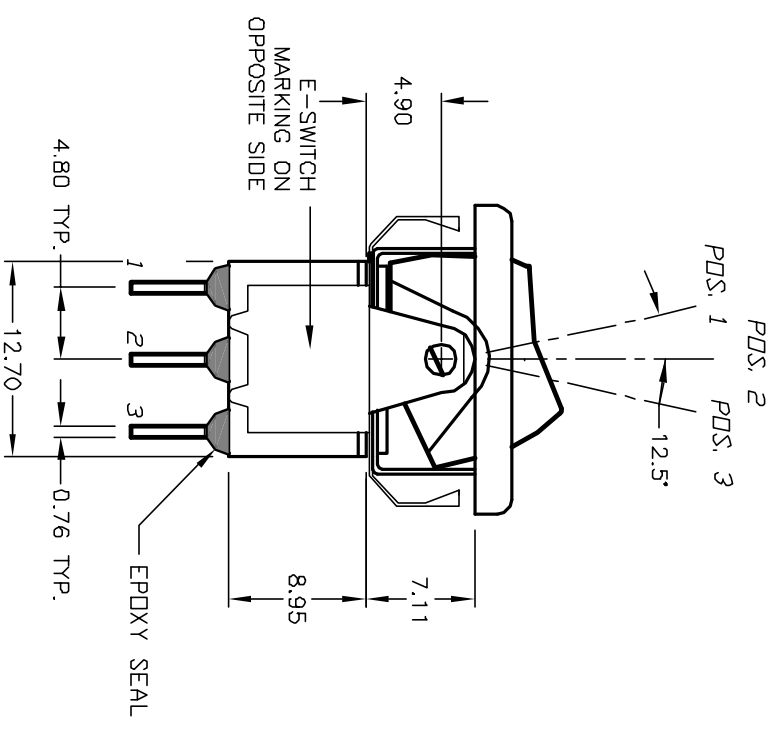
BLACK BEZEL

RECOMMENDED PANEL MOUNTING

PANEL THICKNESS

1.52 TO 3.18

* DIMENSION IS 15.75/15.88 FOR PANEL THICKNESS BETWEEN 1.52mm TD 3.18mm



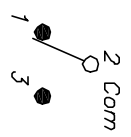
NOTES:

1. ALL DIMENSIONS IN MM
2. GENERAL TOLERANCE: X.X=±0.4 X.XX=±0.25
3. TERM. NOS. FOR REF. ONLY
4. RATING: 5A @120VAC OR 2BVDC 2A @250VAC
5. MATERIAL: FIXED TERMINAL & MOVING CONTACT
Copper Alloy w/Silver Plate
6. CONTACT RESISTANCE: 10mILLI Ohms max initial @2-4VDC, 100mA for AG & AU
7. ELECTRICAL LIFE: 50,000 make-and-break cycles at full load.
8. INSULATION RESISTANCE: 1,000M ohm min.
9. DIELECTRIC STRENGTH: 1000V RMS @sea level
10. OPERATING TEMP.: -30°C to 85°C

()=Momentary

| SWITCH FUNCTION | | | |
|-----------------|--------|--------|--|
| POS. 1 | POS. 2 | POS. 3 | |
| DN | NDNE | <DN> | |
| 2-3 | DPEN | 2-1 | |

CIRCUIT: SPDT



E-SWITCH®

| | | | | | | | | | |
|--|---------|-------------|---------|------|----------------------------|---------|----|---------|-----|
| REV. | ECN No. | DESCRIPTION | DATE | CHKD | SCALE | DATE | DR | DWG | REV |
| A | 12250 | RELEASED | 6/18/02 | CB | 2:1 | 6/18/02 | CB | T312012 | A |
| THE INFORMATION CONTAINED IN THIS DOCUMENT IS PROPRIETARY TO E-SWITCH AND IS NOT TO BE COPIED OR TRANSFERRED | | | | | | | | | |
| TITLE | | | | | 300 SP-2 R6 BLK M2 Q E BLK | | | | |