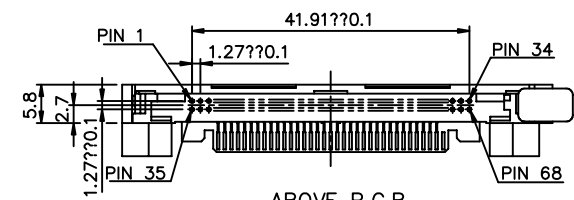
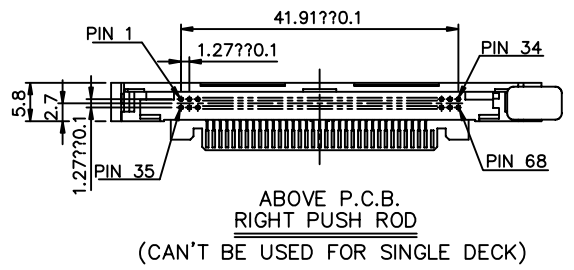
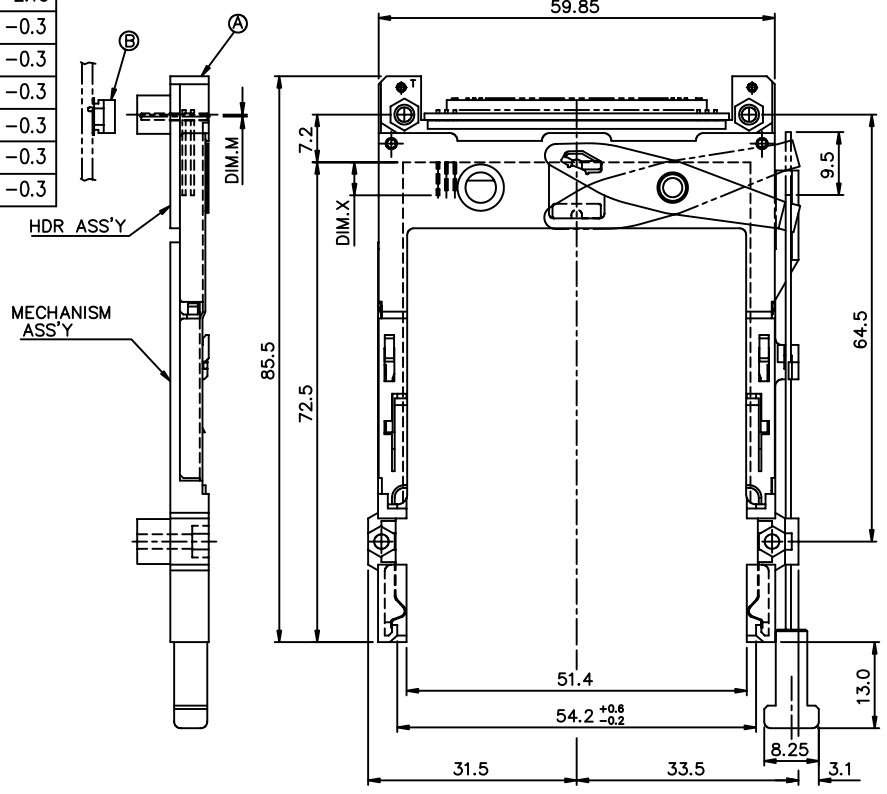
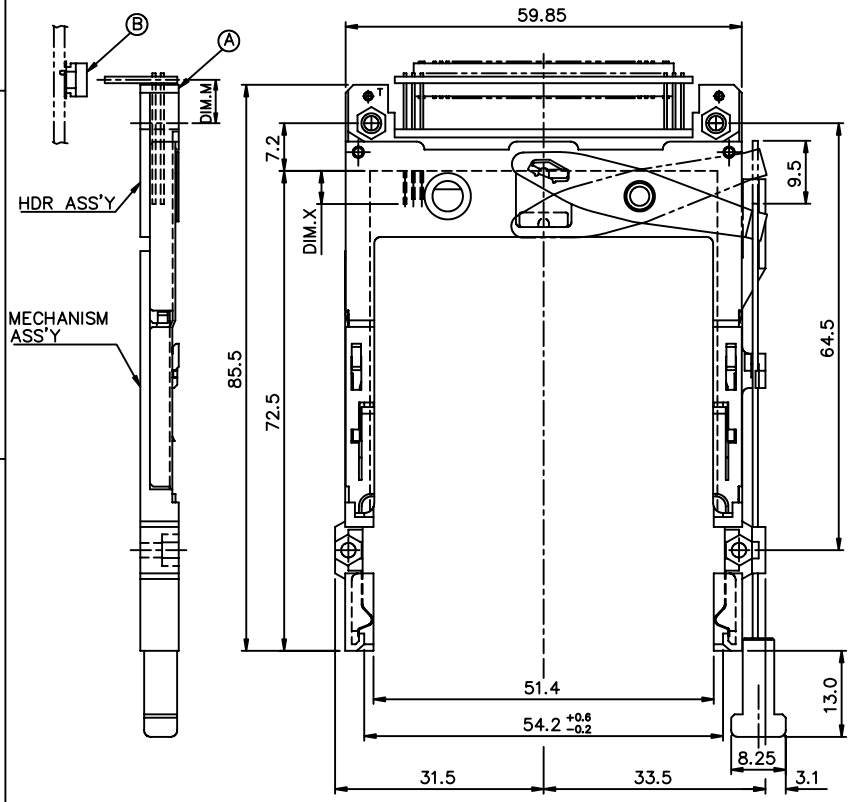


Tous droits strictement réservés. Reproduction ou communication à des tiers int
 sans autorisation écrite du propriétaire.
 propriété de BERG ELECTRONICS
 Droits de reproduction BERG ELECTRONICS by

All rights strictly reserved. Reproduction or issue to third parties in any for
 without written authority from the proprietor.
 Copyright BERG ELECTRONICS by

| PRODUCT NO. | DIM.M |
|-----------------------|-------|
| 61125-005CA/005CALF | 10.0 |
| 61125-025CA/025CALF | 6.55 |
| 61125-045CA/045CALF | 6.55 |
| 61125-055CA/055CALF | 6.55 |
| 61125-025CAC/025CACLF | 6.55 |
| 61125-045CAC/045CACLF | 6.55 |
| 61125-055CAC/055CACLF | 6.55 |

| PRODUCT NO. | DIM.M |
|-----------------------|-------|
| 61125-020CA/020CALF | -0.3 |
| 61125-220CA/220CALF | 2.15 |
| 61125-040CA/040CALF | -0.3 |
| 61125-050CA/050CALF | -0.3 |
| 61125-050CAN/050CANLF | -0.3 |
| 61125-020CAC/020CACLF | -0.3 |
| 61125-040CAC/040CACLF | -0.3 |
| 61125-050CAC/050CACLF | -0.3 |



ABOVE P.C.B.
 RIGHT PUSH ROD
 (CAN BE USED FOR SINGLE DECK)

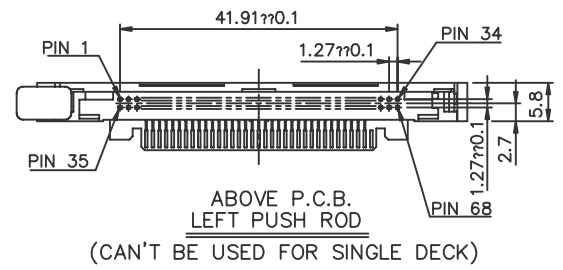
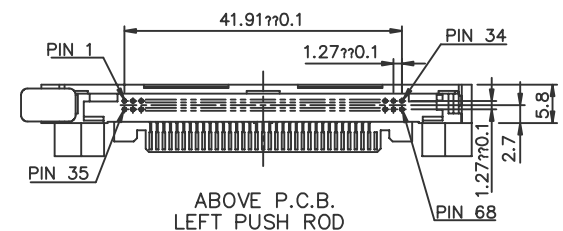
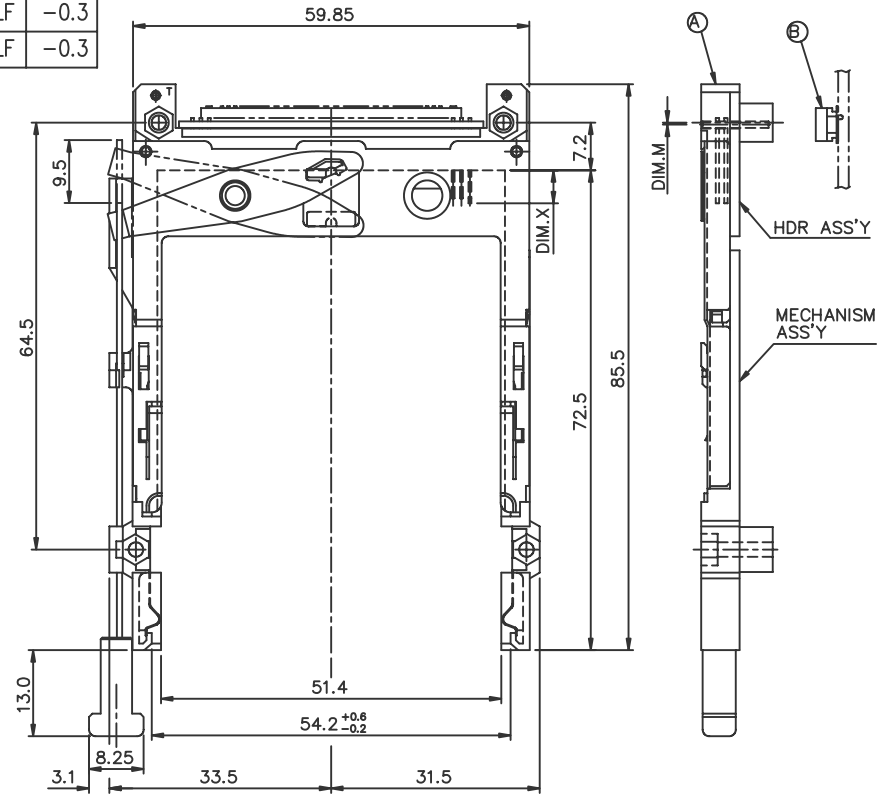
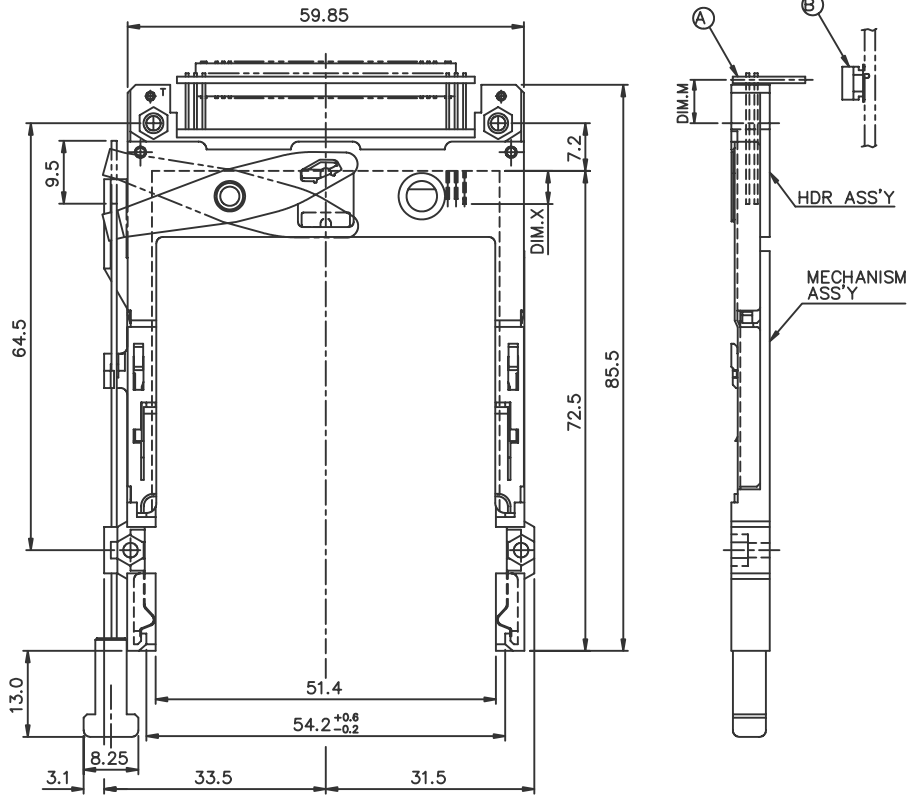
| mat'l code | | tolerance unless otherwise specified | | CUSTOMER COPY | | FCI | | www.fciconnect.com | |
|------------|----------|--------------------------------------|----------|---------------|-------------|------------|----------------------|--------------------|---------|
| rev. | ecn no. | dr | date | linear | ± 0.30 | projection | title | | |
| J | N05-0063 | W B | 03/04/05 | | | | EJECTOR HEADER ASS'Y | | |
| K | N05-0140 | W B | 05/31/05 | | | | 3.3V, SMT TYPE 1/2/3 | | |
| D | T10132 | W L | 05/11/01 | angles | ± 2° | | product family | | code |
| E | T10162 | W L | 06/14/01 | dr | WENDY CHEN | 07/11/95 | unit | PCMCA | |
| F | T20036 | W L | 01/30/02 | enr | JOSEPH HSIA | 07/11/95 | mm/inch | size | dwg no. |
| G | T20234 | W L | 07/25/02 | chr | JOSEPH HSIA | 07/11/95 | scale | A3 | |
| H | T03-0216 | W L | 06/09/03 | appd | JENN TSAO | 07/11/95 | 1.2:1 | 61125 | |
| sheet | revision | K | J | J | J | K | J | 1 of 6 | |
| index | sheet | 1 | 2 | 3 | 4 | 5 | 6 | | |

Tous droits strictement réservés. Reproduction ou communication à des tiers sans autorisation écrite du propriétaire. BERG ELECTRONICS est la propriété de BERG ELECTRONICS. Droits de reproduction BERG ELECTRONICS by

All rights strictly reserved. Reproduction or issue to third parties in any form without written authority from the proprietor. BERG ELECTRONICS is the property of BERG ELECTRONICS. Copyright BERG ELECTRONICS by

| PRODUCT NO. | DIM.M |
|---------------------|-------|
| 61125-105CA/105CALF | 10.0 |
| 61125-125CA/125CALF | 6.55 |
| 61125-145CA/145CALF | 6.55 |
| 61125-155CA/155CALF | 6.55 |

| PRODUCT NO. | DIM.M |
|---------------------|-------|
| 61125-120CA/120CALF | -0.3 |
| 61125-140CA/140CALF | -0.3 |
| 61125-150CA/150CALF | -0.3 |

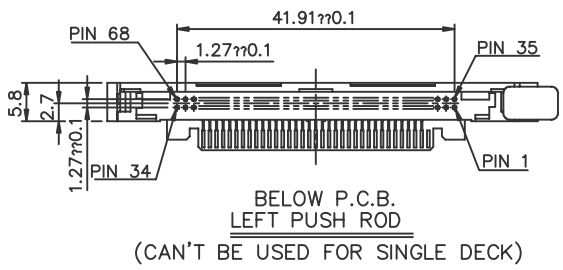
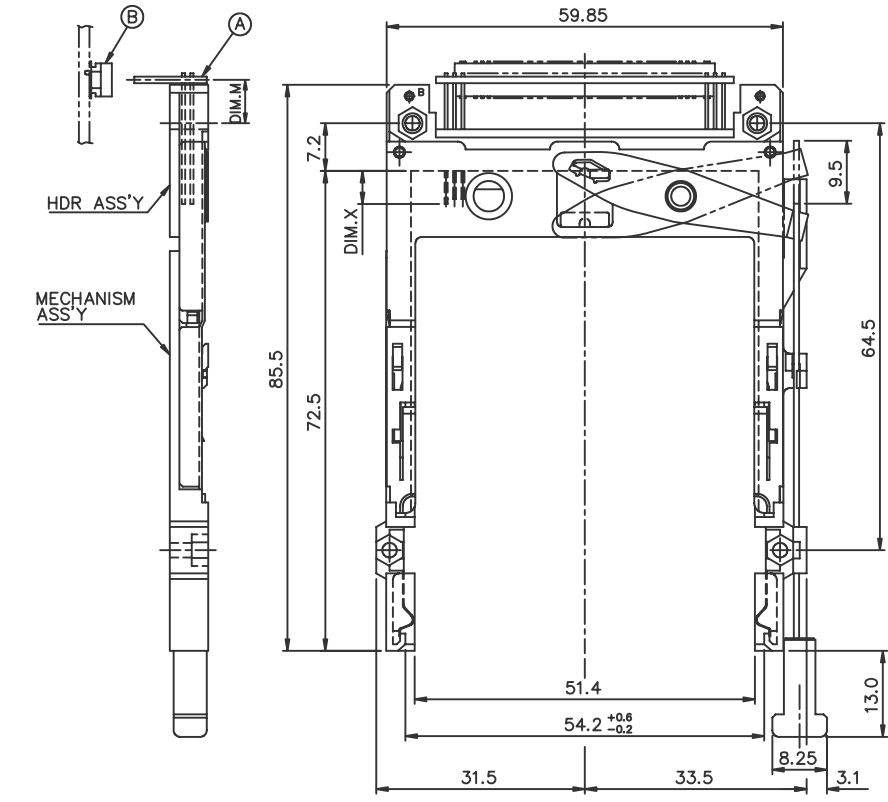


| | | | |
|----------------------|--------------------------------------|---------------|--|
| mat'l code | tolerance unless otherwise specified | CUSTOMER COPY | www.fciconnect.com |
| rev. ecn no. dr date | ± 0.30 | projection | |
| J | linear | | title EJECTOR HEADER ASS'Y 3.3V, SMT TYPE 1/2/3 |
| | angles ± 2° | | product family PCMCIA code |
| | dr WENDY CHEN 07/11/95 unit | mm/inch | size dwg no. |
| | enr JOSEPH HSIA 07/11/95 scale | 1.2:1 | A3 61125 |
| | chr JOSEPH HSIA 07/11/95 | | sheet 2 of |
| | appd JENN TSAO 07/11/95 | | |
| sheet index | revision sheet | | |

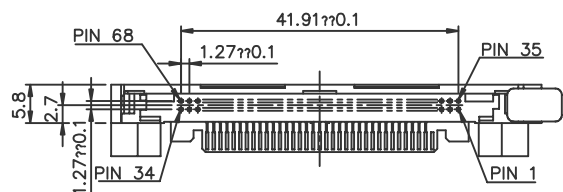
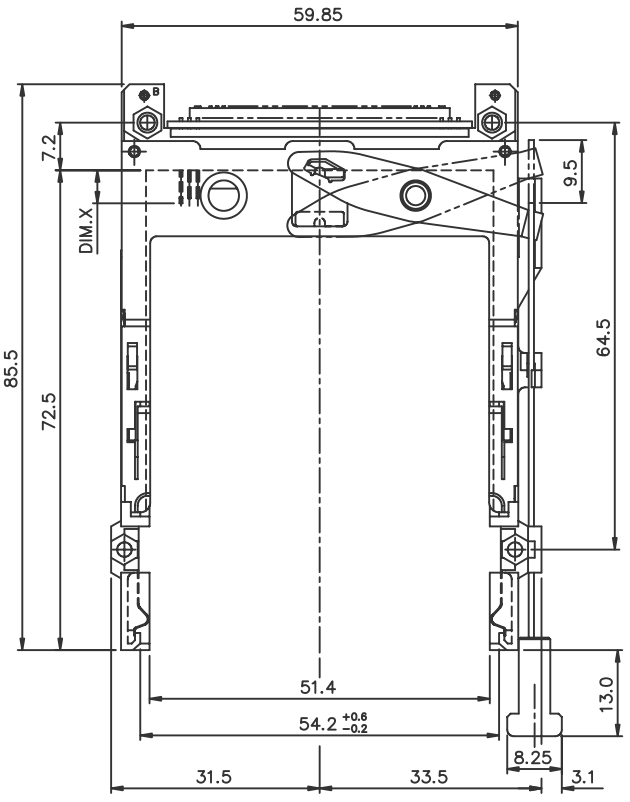
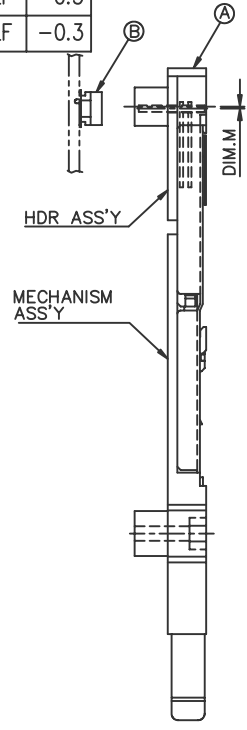
Tous droits strictement réservés. Reproduction ou communication à des tiers sans autorisation écrite du propriétaire. Copyright BERG ELECTRONICS by

All rights strictly reserved. Reproduction or issue to third parties in any form without written authority from the proprietor. Copyright BERG ELECTRONICS by

| PRODUCT NO. | DIM.M |
|---------------------|-------|
| 61125-605CA/650CALF | 10.0 |
| 61125-625CA/625CALF | 6.55 |
| 61125-645CA/645CALF | 6.55 |
| 61125-655CA/655CALF | 6.55 |



| PRODUCT NO. | DIM.M |
|---------------------|-------|
| 61125-620CA/620CALF | -0.3 |
| 61125-640CA/640CALF | -0.3 |
| 61125-650CA/650CALF | -0.3 |



BELOW P.C.B.
LEFT PUSH ROD
(CAN BE USED FOR SINGLE DECK)

| | | | | | | | |
|------------|----------|--------------------------------------|------|----------------|-------------|------------------------|--|
| mat'l code | | tolerance unless otherwise specified | | CUSTOMER COPY | | www.fciconnect.com | |
| rev. | ecn no. | dr | date | linear | ± 0.30 | projection | title |
| J | | | | angles | ± 2° | | EJECTOR HEADER ASS'Y 3.3V, SMT TYPE 1/2/3 |
| | | | | dr | WENDY CHEN | 07/11/95 | unit |
| | | | | enr | JOSEPH HSIA | 07/11/95 | mm/inch |
| | | | | chr | JOSEPH HSIA | 07/11/95 | scale |
| | | | | appd | JENN TSAO | 07/11/95 | 1.2:1 |
| sheet | revision | | | product family | PCMCIA | code | |
| index | sheet | | | size | dwg no. | 61125 | sheet 3 of |

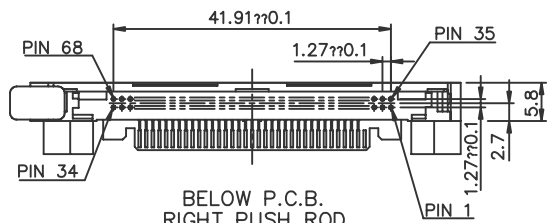
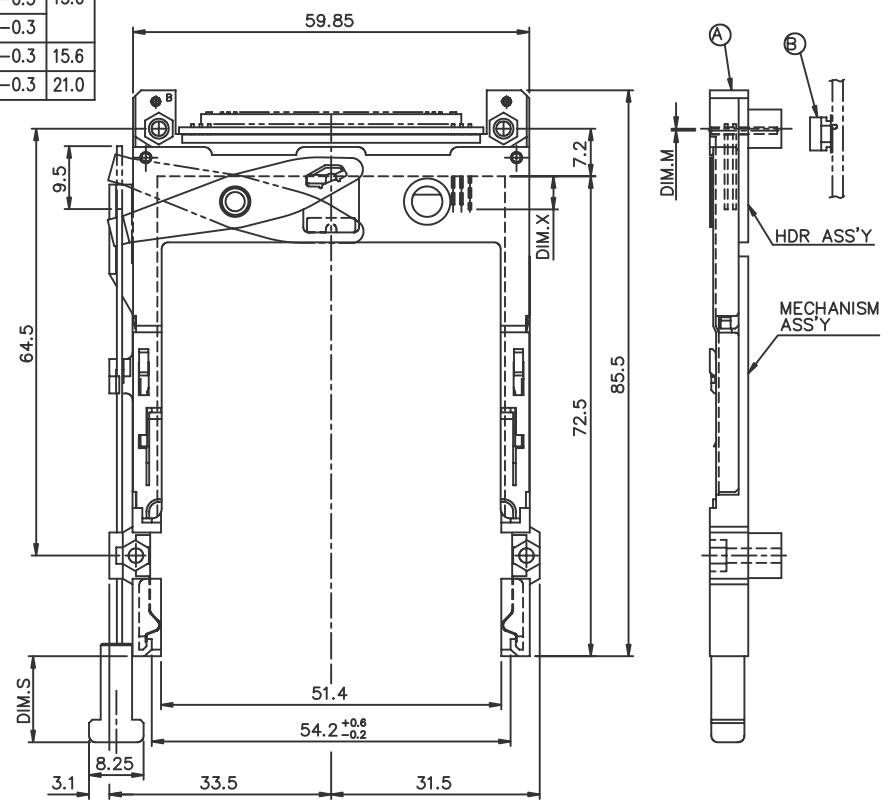
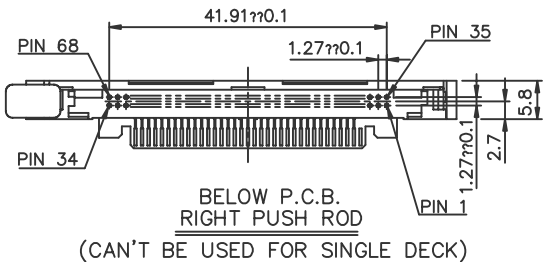
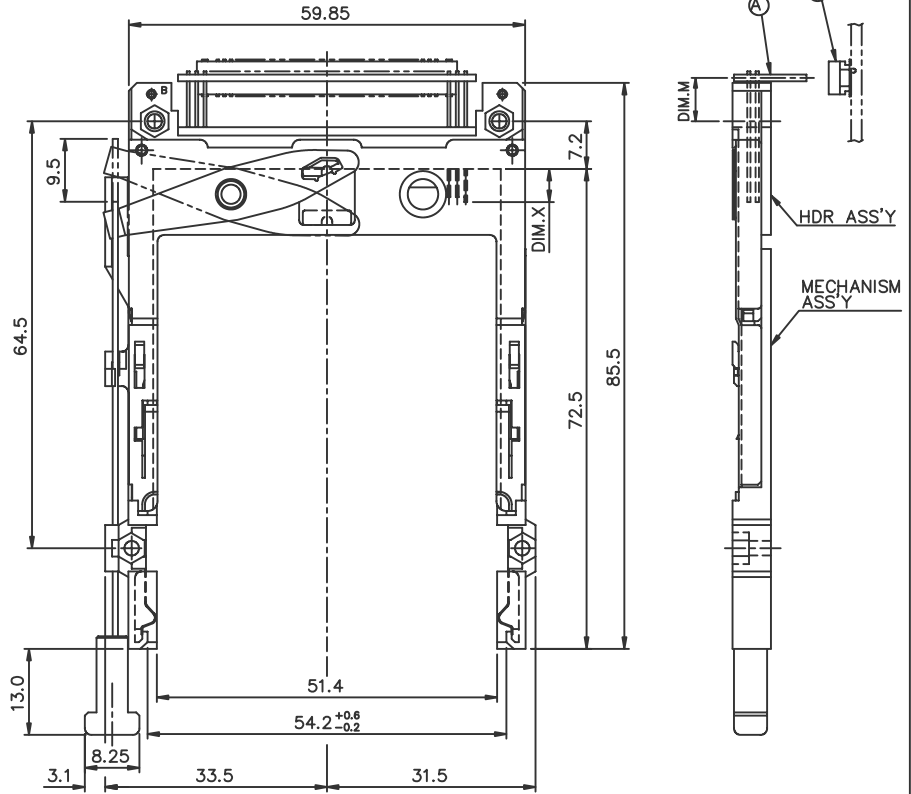
Tous droits strictement reserves. Reproduction ou communication a des tiers int sans autorisation ecrite du proprietaire. Copyright BERG ELECTRONICS by Droits de reproduction BERG ELECTRONICS by

FCI

All rights strictly reserved. Reproduction or issue to third parties in any form without written authority from the proprietor. Copyright BERG ELECTRONICS by

| PRODUCT NO. | DIM.M |
|---------------------|-------|
| 61125-505CA/505CALF | 10.0 |
| 61125-525CA/525CALF | 6.55 |
| 61125-545CA/545CALF | 6.55 |
| 61125-555CA/555CALF | 6.55 |

| PRODUCT NO. | DIM.M | DIM.S |
|---------------------|-------|-------|
| 61125-520CA/520CALF | -0.3 | 13.0 |
| 61125-540CA/540CALF | -0.3 | |
| 61125-550CA/550CALF | -0.3 | 15.6 |
| 61125-520DA/520DALF | -0.3 | |
| 61125-520FA/520FALF | -0.3 | 21.0 |



| | | | | |
|----------------------|--------------------------------------|---------------|------------------------|---|
| mat'l code | tolerance unless otherwise specified | CUSTOMER COPY | www.fciconnect.com | title EJECTOR HEADER ASS'Y 3.3V, SMT TYPE 1/2/3 |
| rev. ecn no. dr date | ± 0.30 | projection | | |
| J | linear | | product family | code |
| | angles | ± 2° | PCMCIA | |
| dr | WENDY CHEN 07/11/95 | unit | size | dwg no. |
| enqr | JOSEPH HSIA 07/11/95 | mm/inch | A3 | 61125 |
| chr | JOSEPH HSIA 07/11/95 | scale | 1.2:1 | sheet 4 of |
| appd | JENN TSAO 07/11/95 | | | |
| sheet | revision | | | |
| index | sheet | | | |

DESCRIPTION : ABOVE PCB, DECK AND PUSH ROD LOCATION ARE AS VIEW BY USER.

NOTES:

- 8mm MIN. CARD EJECT.
- EJECT TRAVEL: 9.5mm
- PUSH ROD LOCATION AND P.C.B. SIDE ARE AS APPEARS INSTALLED.
- MATERIAL
 - HEADER ASS'Y:
 - PLASTIC :HOUSING ...LCP UL94V-0 BLACK
 - PIN :PHOSPHOR BRONZE
 - PCB : FR4
 - EJECT MECHANISM ASS'Y:
 - PLASTIC :GUIDE:POLYPHTHARAMID UL94V-0 BLACK
 - :BUTTON:POLYPHTHARAMID UL94V-0 BLACK
 - PLATE AND PUSH ROD :STAINLESS
 - EMI CONTACT:PHOSPHOR BRONZE
- FINISH (PIN)
 - UNDER PLATING :0.5µm MIN. Ni
 - CONTACT AREA :0.1µm MIN. GOLD OVER 0.5µm MIN. Pd-Ni
 - SOLDER TAIL (FOR TIN LEAD OPTION) : 2.5µm MIN. Sn-Pb
 - SOLDER TAIL (FOR LEAD FREE OPTION) : 2.5µm MIN. PURE TIN
- DIM "X"

| | | |
|----------|---------|------------------|
| 4.25±0.1 | 3.5±0.1 | 5.0±0.1 |
| OTHERS | 36,67 | 1,17,34,35,51,68 |
- FOR P/N:61125-050CAN AND 61125-050CANLF:
 - TIGHTENING TORQUE OF SCREW:1.5 ~ 2.0 Kgf-cm
 - LUBRICANT SHOULD BE SPREAD TO MATING AREA OF PINS.
- IF LEAD FREE P.N.THE HOUSING WILL WITHSTAND EXPOSURE TO 260°C PEAK TEMPERATURE FOR 10 SECONDS IN A WAVE SOLDER APPLICATION WITH A 1.00MM MINIMUM THICK CIRCUIT BOARD.
- IF LEAD FREE P/N.THE PRODUCT MEETS EUROPEAN UNION DIRECTIVES AND OTHER COUNTRY REGULATIONS AS DISCRIBLED IN GS-22-008
- LEAD FREE P/N PACKAGING MEETS GS-14-920 SPECIFICATION
- PART NUMBER 61125-***CAC,-***CACLIF IS FOR CISCO

| LOWER DECK | | | | | | |
|-----------------------|-----------------------|---------------------|---------------|--------------------------|---|--------------------------------------|
| ① PRODUCT NO. | STAND-OFF HIGH DIM. L | PUSH ROD LOCATION ② | P.C.B. SIDE ③ | P.C.B LAYOUT RECOMMENDED | ④ MATING RECEPTACLE | MOUNT STYLE TO PCB AND PUSH ROD SIDE |
| 61125-020CA/020CALF | 2.2 | RIGHT | ABOVE | P/N: TA-1056 | RECEPTACLE PART NUMBER: 91931-31169 91931-31169LF | |
| 61125-220CA/220CALF | 2.2 | RIGHT | ABOVE | SEE PAGE 6 | | |
| 61125-040CA/040CALF | 4.3 | RIGHT | ABOVE | SEE DRAWING P/N: TA-1056 | | |
| 61125-050CA/050CALF | 5.0 | | | | | |
| 61125-050CAN/050CANLF | 5.0 | | | | | |
| 61125-020CAC/020CACLF | 2.2 | | | | | |
| 61125-040CAC/040CACLF | 4.3 | LEFT | BELOW | SEE DRAWING P/N: TA-1056 | | |
| 61125-050CAC/050CACLF | 5.0 | | | | | |
| 61125-120CA/120CALF | 2.2 | | | | | |
| 61125-140CA/140CALF | 4.3 | | | | | |
| 61125-150CA/150CALF | 5.0 | RIGHT | BELOW | SEE DRAWING P/N: TA-1056 | | |
| 61125-520CA/520CALF | 2.2 | | | | | |
| 61125-520FA/520FALF | 2.2 | | | | | |
| 61125-520DA/520DALF | 2.2 | | | | | |
| 61125-540CA/540CALF | 4.3 | LEFT | BELOW | SEE DRAWING P/N: TA-1056 | | |
| 61125-550CA/550CALF | 5.0 | | | | | |
| 61125-620CA/620CALF | 2.2 | | | | | |
| 61125-640CA/640CALF | 4.3 | LEFT | BELOW | SEE DRAWING P/N: TA-1056 | | |
| 61125-650CA/650CALF | 5.0 | | | | | |

| UPPER DECK | | | | | |
|-----------------------|--|---------------------|---------------|---|--------------------------------------|
| ① PRODUCT NO. | JOINT WITH LOWER DECK STAND-OFF HIGH(DIM. L) | PUSH ROD LOCATION ② | P.C.B. SIDE ③ | ④ MATING RECEPTACLE | MOUNT STYLE TO PCB AND PUSH ROD SIDE |
| 61125-005CA/005CALF | 0.0 | RIGHT | ABOVE | RECEPTACLE PART NUMBER: 91931-31169 91931-31169LF | |
| 61125-025CA/025CALF | 2.2 | | | | |
| 61125-045CA/045CALF | 4.3 | | | | |
| 61125-055CA/055CALF | 5.0 | | | | |
| 61125-025CAC/025CACLF | 2.2 | | | | |
| 61125-045CAC/045CACLF | 4.3 | | | | |
| 61125-055CAC/055CACLF | 5.0 | LEFT | BELOW | RECEPTACLE PART NUMBER: 91931-31169 91931-31169LF | |
| 61125-105CA/105CALF | 0.0 | | | | |
| 61125-125CA/125CALF | 2.2 | | | | |
| 61125-145CA/145CALF | 4.3 | | | | |
| 61125-155CA/155CALF | 5.0 | | | | |
| 61125-505CA/505CALF | 0.0 | | | | |
| 61125-525CA/525CALF | 2.2 | RIGHT | BELOW | RECEPTACLE PART NUMBER: 91931-31169 91931-31169LF | |
| 61125-545CA/545CALF | 4.3 | | | | |
| 61125-555CA/555CALF | 5.0 | | | | |
| 61125-605CA/605CALF | 0.0 | | | | |
| 61125-625CA/625CALF | 2.2 | LEFT | BELOW | RECEPTACLE PART NUMBER: 91931-31169 91931-31169LF | |
| 61125-645CA/645CALF | 4.3 | | | | |
| 61125-655CA/655CALF | 5.0 | | | | |

NOTES:
 1. IT CAN'T BE USED FOR SINGLE DECK.
 2. IT MUST BE ASSEMBLED BY USER FOR DOUBLE DECK APPLICATION.(PLEASE REFER TO P/N 61124)

ORDERING INFORMATION

| NAME | PART NO. | Q'TY |
|----------------------|-------------|-----------------|
| ① EJECT HEADER ASS'Y | 61125-***** | 61125-*****LF 1 |
| ② MATING RECEPTACLE | 91931-31169 | 91931-31169LF 1 |

| | | | | |
|----------------------|--------------------------------------|---------------|---|--------------------|
| mat'l code | tolerance unless otherwise specified | CUSTOMER COPY | | www.fciconnect.com |
| rev. ecn no. dr date | linear | projection | title EJECTOR HEADER ASS'Y 3.3V, SMT TYPE 1/2/3 | |
| K | angles | | product family | code |
| | dr WENDY CHEN 07/11/95 | unit | PCMCIA | |
| | enr JOSEPH HSIA 07/11/95 | mm/inch | size | dwg no. |
| | chr JOSEPH HSIA 07/11/95 | scale | A3 | 61125 |
| | appd JENN TSAO 07/11/95 | 1.2:1 | sheet | 5 of |
| sheet revision | | | | |
| index sheet | | | | |

Tous droits strictement reserves. Reproduction ou communication a des tiers int...

All rights strictly reserved. Reproduction or issue to third parties in any for...

