

Thermally-Enhanced High Power RF LDMOS FETs 240 W, 2110 – 2170 MHz

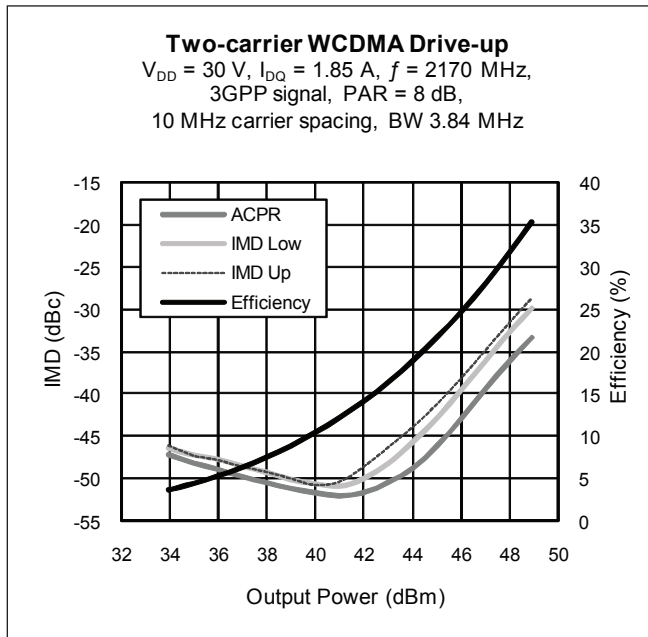
Description

The PTFB212503EL and PTFB212503FL are 240-watt LDMOS FETs intended for use in multi-standard cellular power amplifier applications in the 2110 to 2170 MHz frequency band. Features include input and output matching, high gain, wide signal bandwidth and reduced memory effects for unparalleled DPD correctability. Manufactured with Infineon's advanced LDMOS process, these devices provide excellent thermal performance and superior reliability.

PTFB212503EL
 Package H-33288-6



PTFB212503FL
 Package H-34288-4/2



Features

- Broadband internal input and output matching
- Enhanced for use in DPD error correction systems
- Wide video bandwidth
- Typical single-carrier WCDMA performance at 2170 MHz, 30 V, $I_{DQ} = 1.85\text{ A}$, 3GPP signal, channel bandwidth = 3.84 MHz, PAR = 7.5 dB @ 0.01% CCDF
 - Average output power = 49.4 dBm
 - Linear gain = 18 dB
 - Efficiency = 37%
 - Intermodulation distortion = -33 dBc
- Typical CW performance, 2170 MHz, 30 V
 - Output power at P_{1dB} = 240 W
 - Efficiency = 54 %
- Increased negative gate-source voltage range for improved performance in Doherty peaking amplifiers
- Integrated ESD protection: Human Body Model, Class 2 (minimum)
- Capable of handling 10:1 VSWR @ 30 V, 240 W (CW) output power
- Pb-free, RoHS-compliant

RF Characteristics

Two-carrier WCDMA Specifications (not subject to production test—verified by design/characterization in Infineon test fixture)

$V_{DD} = 30\text{ V}$, $I_{DQ} = 1.85\text{ A}$, $P_{OUT} = 55\text{ W}$ average, $f_1 = 2160\text{ MHz}$, $f_2 = 2170\text{ MHz}$, 3GPP signal, channel bandwidth = 3.84 MHz, peak/average = 8 dB @ 0.01% CCDF

Characteristic	Symbol	Min	Typ	Max	Unit
Gain	G_{ps}	—	18.0	—	dB
Drain Efficiency	η_D	—	31	—	%
Intermodulation Distortion	IMD	—	-33	—	dBc

All published data at $T_{CASE} = 25^\circ\text{C}$ unless otherwise indicated

ESD: Electrostatic discharge sensitive device—observe handling precautions!

RF Characteristics (cont.)

Two-tone Specifications (tested in Infineon test fixture)

$V_{DD} = 30\text{ V}$, $I_{DQ} = 1.85\text{ A}$, $P_{OUT} = 200\text{ W PEP}$, $f = 2170\text{ MHz}$, tone spacing = 1 MHz

Characteristic	Symbol	Min	Typ	Max	Unit
Gain	G_{ps}	17	18	—	dB
Drain Efficiency	η_D	39	40	—	%
Intermodulation Distortion	IMD	—	-30	-28	dBc

DC Characteristics

Characteristic	Conditions	Symbol	Min	Typ	Max	Unit
Drain-Source Breakdown Voltage	$V_{GS} = 0\text{ V}$, $I_{DS} = 10\text{ mA}$	$V_{(BR)DSS}$	65	—	—	V
Drain Leakage Current	$V_{DS} = 28\text{ V}$, $V_{GS} = 0\text{ V}$	I_{DSS}	—	—	1.0	μA
Drain Leakage Current	$V_{DS} = 63\text{ V}$, $V_{GS} = 0\text{ V}$	I_{DSS}	—	—	10.0	μA
On-State Resistance	$V_{GS} = 10\text{ V}$, $V_{DS} = 0.1\text{ V}$	$R_{DS(on)}$	—	0.05	—	Ω
Operating Gate Voltage	$V_{DS} = 30\text{ V}$, $I_{DQ} = 1.85\text{ A}$	V_{GS}	2.3	2.8	3.3	V
Gate Leakage Current	$V_{GS} = 10\text{ V}$, $V_{DS} = 0\text{ V}$	I_{GSS}	—	—	1.0	μA

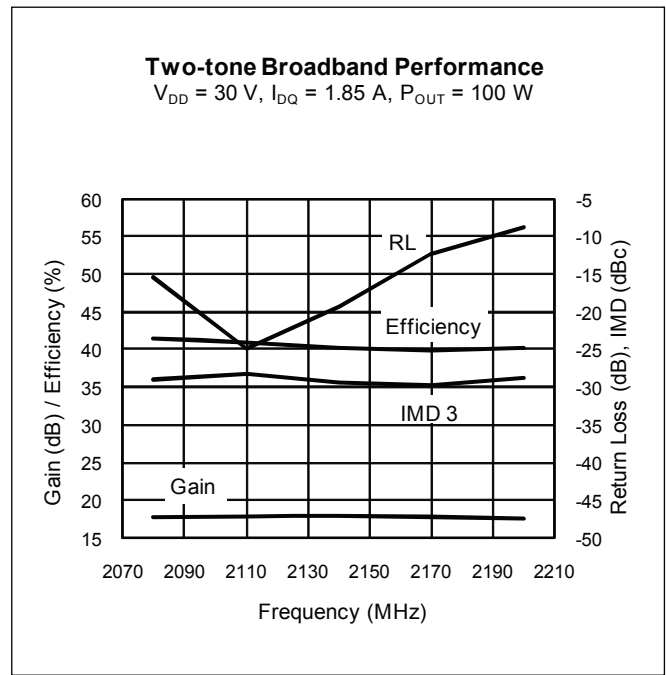
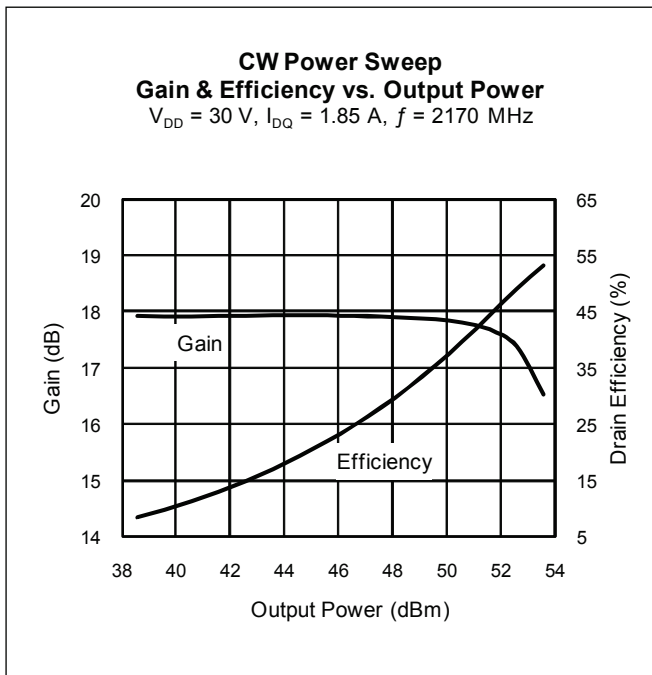
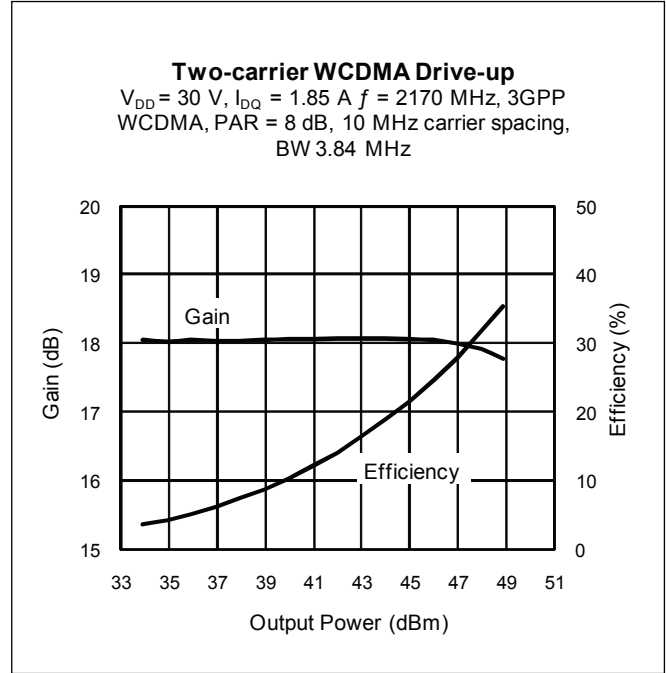
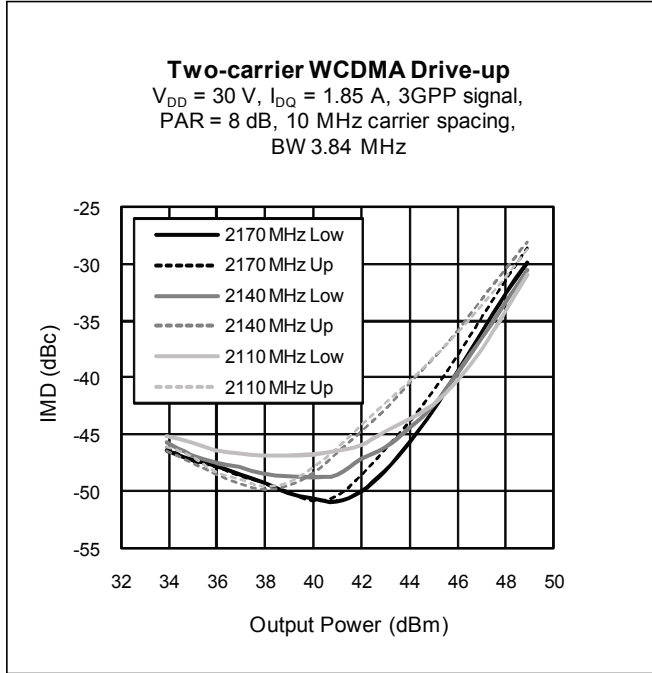
Maximum Ratings

Parameter	Symbol	Value	Unit
Drain-Source Voltage	V_{DSS}	65	V
Gate-Source Voltage	V_{GS}	-6 to +10	V
Junction Temperature	T_J	200	$^{\circ}\text{C}$
Storage Temperature Range	T_{STG}	-40 to +150	$^{\circ}\text{C}$
Thermal Resistance ($T_{CASE} = 70^{\circ}\text{C}$, 200 W CW)	$R_{\theta JC}$	0.26	$^{\circ}\text{C/W}$

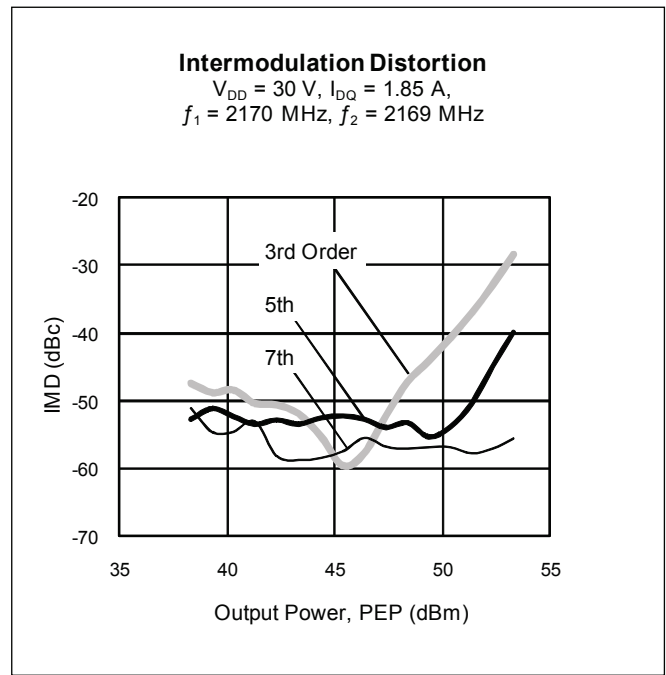
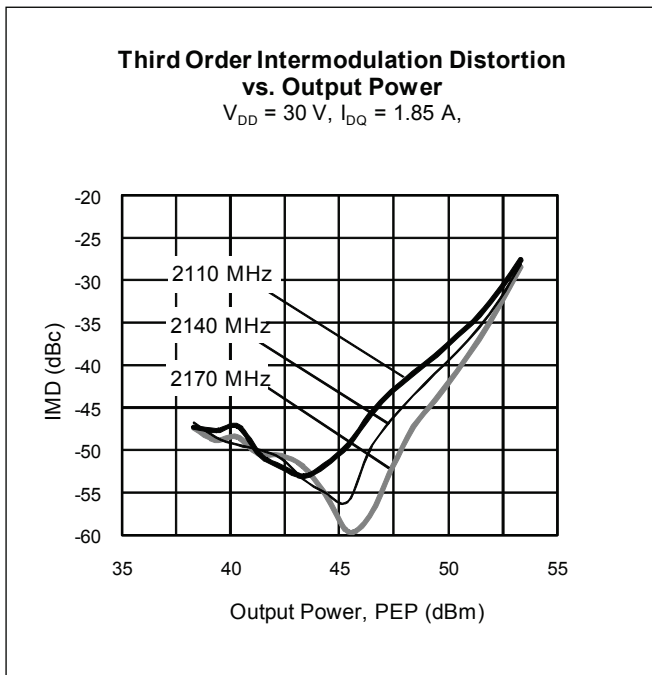
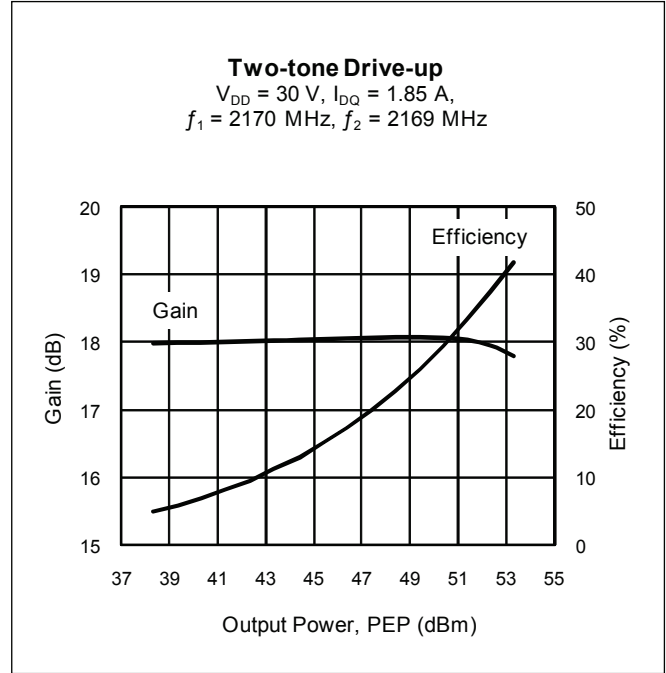
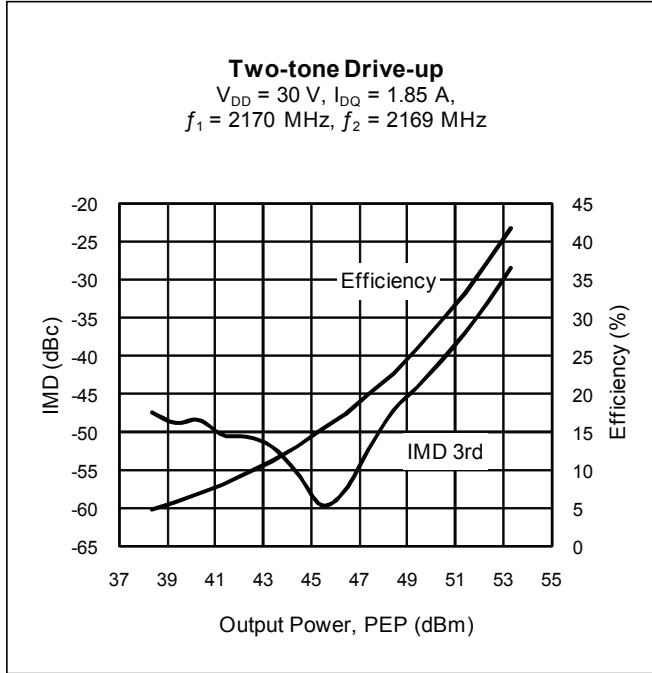
Ordering Information

Type and Version	Order Code	Package Description	Shipping
PTFB212503EL V1 R0	PTFB212503ELV1R0XTMA1	H-33288-6, bolt-down	Tape & Reel, 50 pcs
PTFB212503EL V1 R250	PTFB212503ELV1R250XTMA1	H-33288-6, bolt-down	Tape & Reel, 250 pcs
PTFB212503FL V2 R0	PTFB212503FLV2R0XTMA1	H-34288-4/2, earless flange	Tape & Reel, 50 pcs
PTFB212503FL V2 R250	PTFB212503FLV2R250XTMA1	H-34288-4/2, earless flange	Tape & Reel, 250 pcs

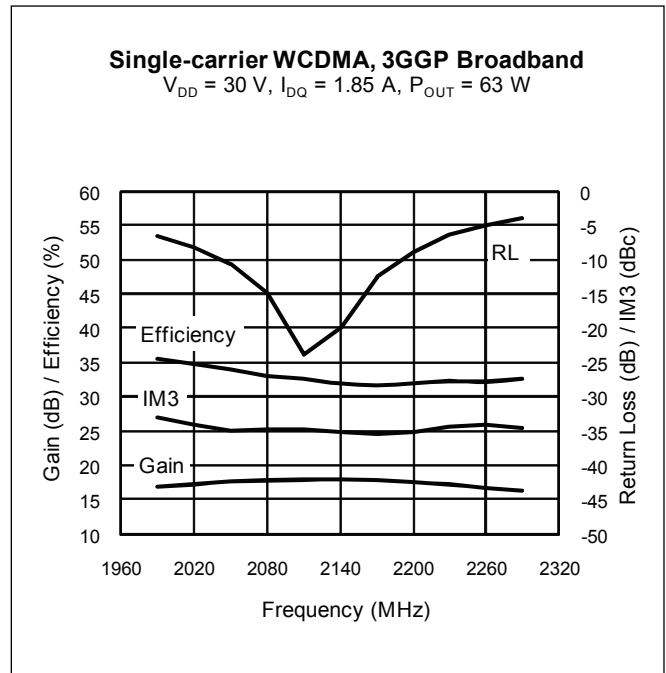
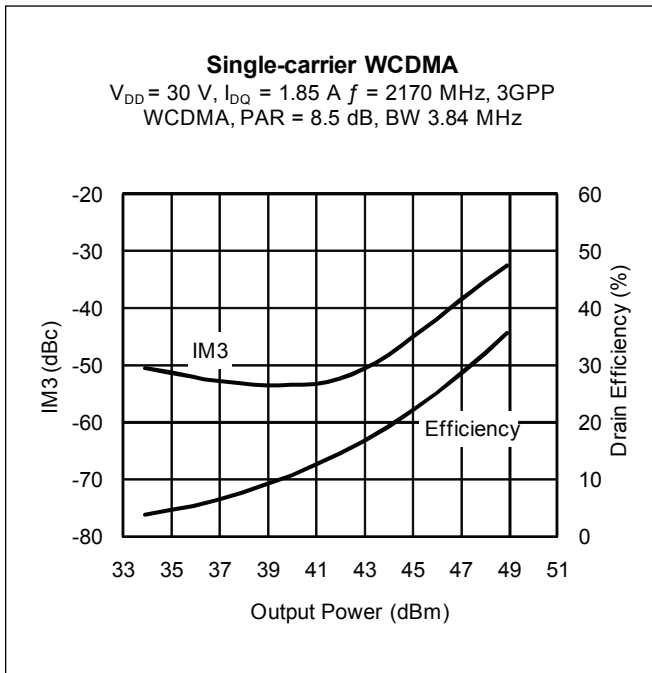
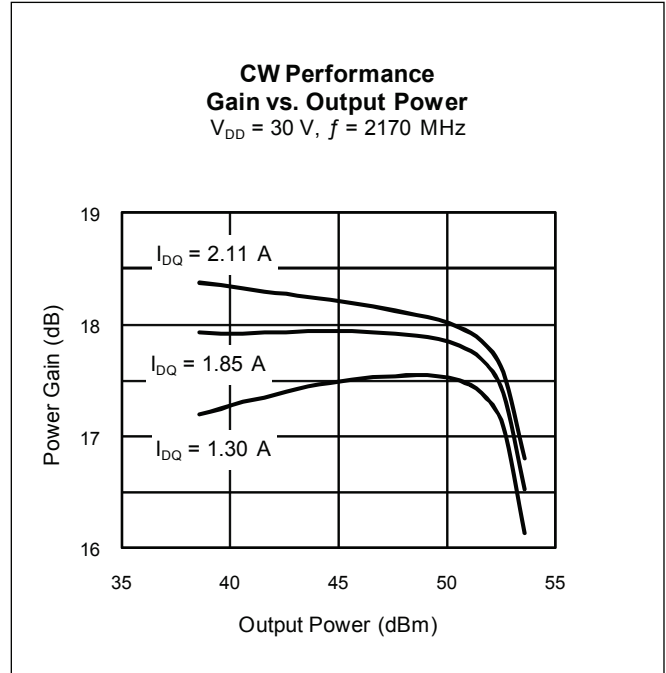
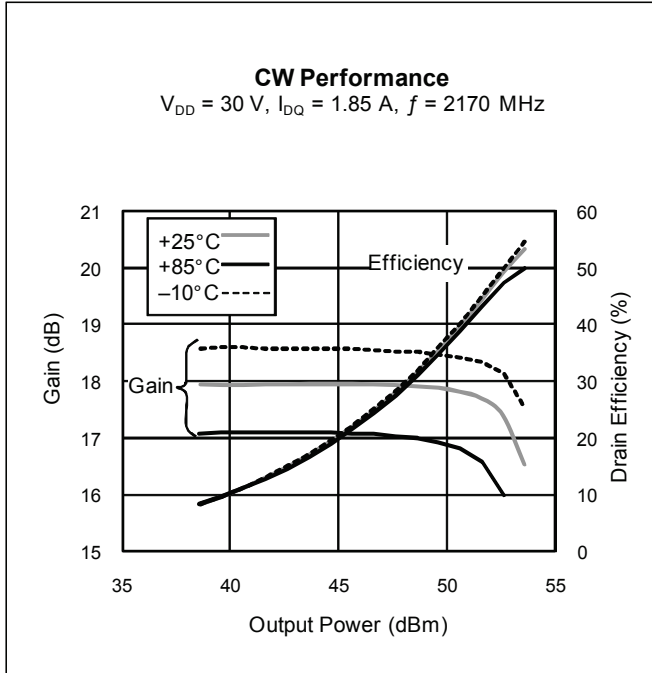
Typical Performance (data taken in a production test fixture)



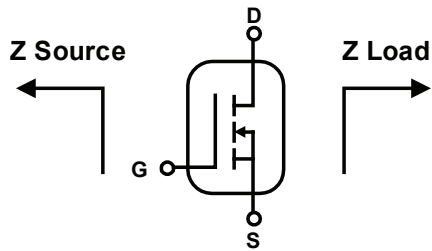
Typical Performance (cont.)



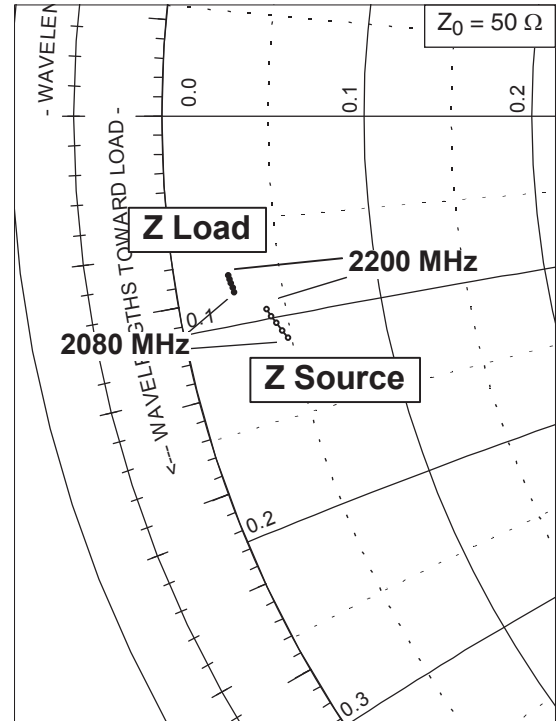
Typical Performance (cont.)



Broadband Circuit Impedance

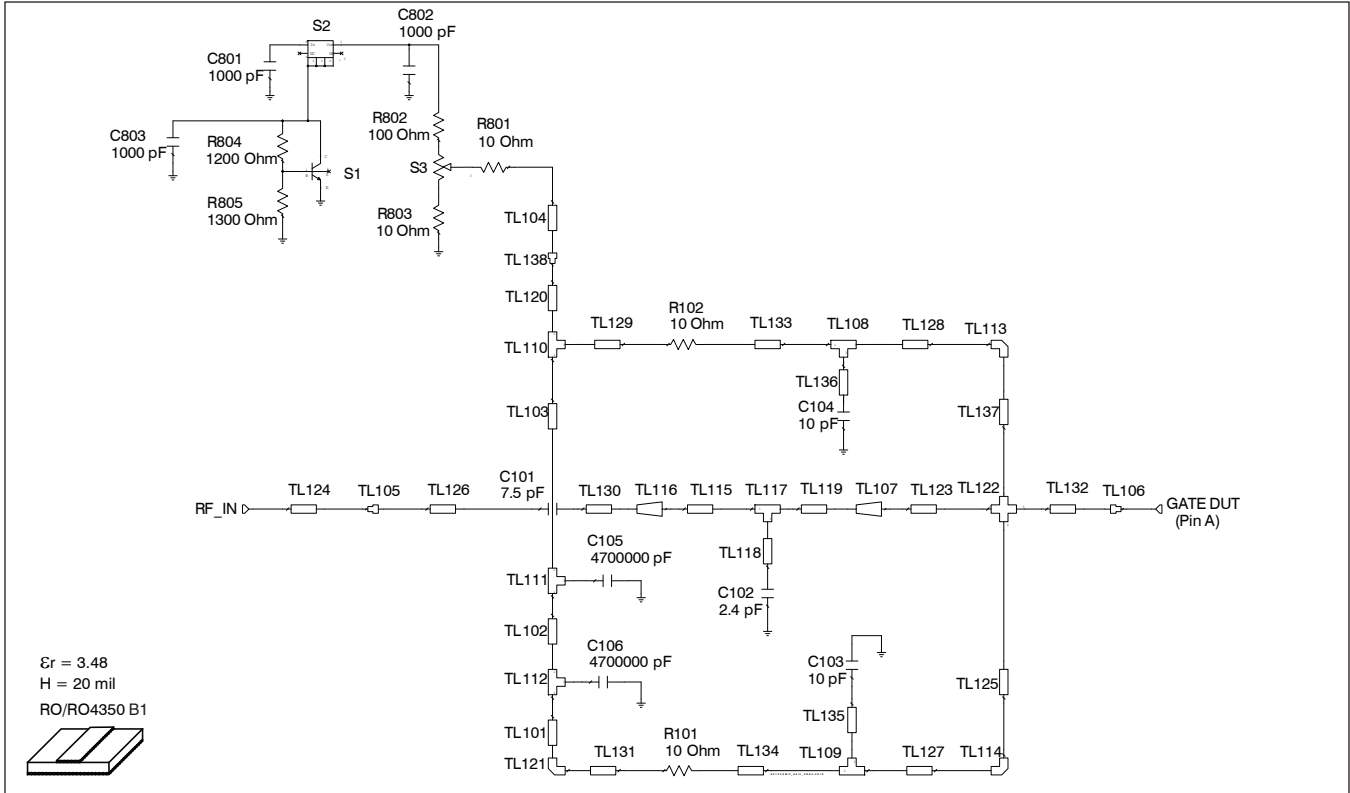


Frequency MHz	Z Source Ω		Z Load Ω	
	R	jX	R	jX
2080	2.42	-5.57	1.34	-4.23
2110	2.31	-5.36	1.32	-4.12
2140	2.21	-5.15	1.29	-4.01
2170	2.12	-4.96	1.27	-3.91
2200	2.04	-4.77	1.25	-3.81

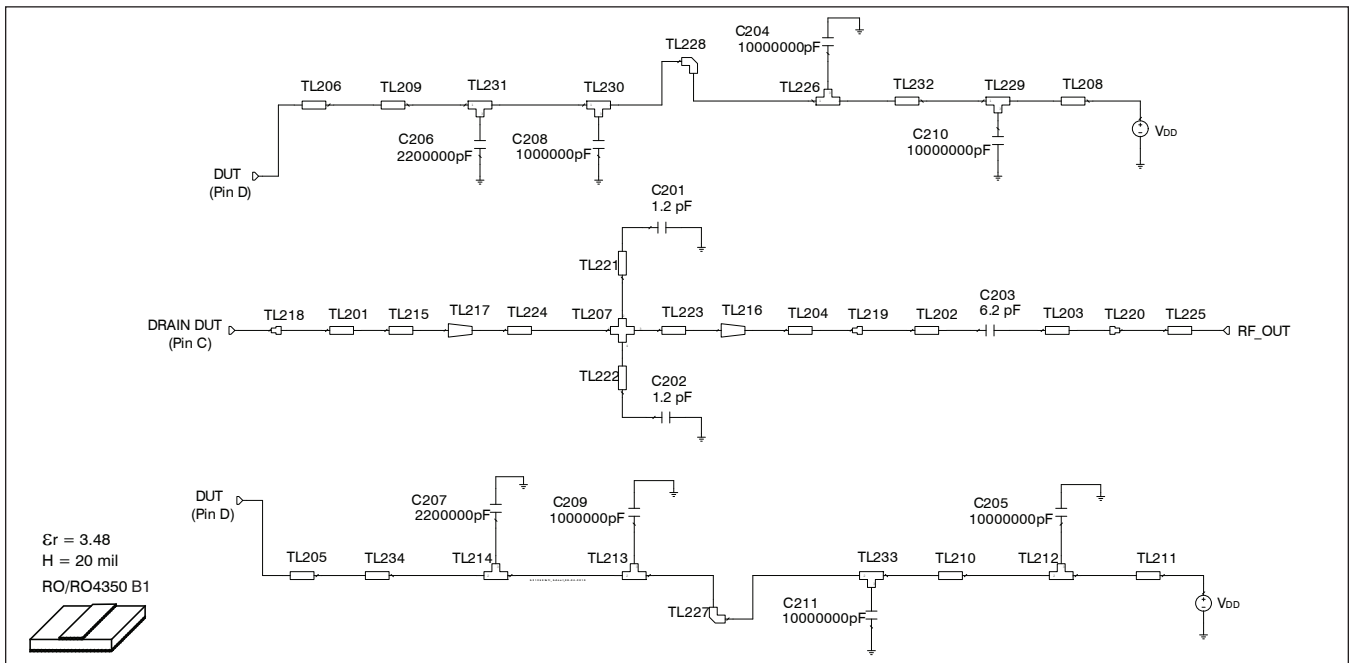


See next page for reference circuit information

Reference Circuit



Reference circuit input schematic for $f = 2170 \text{ MHz}$



Reference circuit output schematic for $f = 2170 \text{ MHz}$

Reference Circuit (cont.)

Description	
DUT	PTFB212503EL or PTFB212503FL
PCB	0.508 mm [.020"] thick, $\epsilon_r = 3.48$, Rogers 4350, 1 oz. copper

Electrical Characteristics at 2170 MHz

Transmission Line	Electrical Characteristics	Dimensions: mm	Dimensions: mils
Input			
TL101	0.043 λ , 54.17 Ω	W = 1.016, L = 3.594	W = 40, L = 142
TL102	0.107 λ , 63.89 Ω	W = 0.762, L = 9.050	W = 30, L = 356
TL103	0.044 λ , 63.89 Ω	W = 0.762, L = 3.734	W = 30, L = 147
TL104	0.031 λ , 34.72 Ω	W = 1.981, L = 2.540	W = 78, L = 100
TL105		W1 = 1.270, W2 = 2.286	W1 = 50, W2 = 90
TL106		W1 = 17.780, W2 = 12.700	W1 = 700, W2 = 500
TL107 (taper)	0.027 λ , 6.67 Ω / 15.80 Ω	W1 = 13.970, W2 = 5.334, L = 2.032	W1 = 550, W2 = 210, L = 80
TL108, TL109	0.012 λ , 54.17 Ω	W1 = 1.016, W2 = 1.016, W3 = 1.016	W1 = 40, W2 = 40, W3 = 40
TL110	0.012 λ , 54.17 Ω	W1 = 1.016, W2 = 1.270, W3 = 1.016	W1 = 40, W2 = 50, W3 = 40
TL111, TL112	0.012 λ , 63.89 Ω	W1 = 0.762, W2 = 0.762, W3 = 1.016	W1 = 30, W2 = 30, W3 = 40
TL113, TL114, TL121		W = 1.016	W = 40
TL115	0.000 λ , 15.80 Ω	W = 5.334, L = 0.000	W = 210, L = 0
TL116 (taper)	0.013 λ , 15.80 Ω / 47.12 Ω	W1 = 5.334, W2 = 1.270, L = 0.991	W1 = 210, W2 = 50, L = 39
TL117	0.000 λ , 15.80 Ω	W1 = 5.334, W2 = 5.334, W3 = 0.025	W1 = 210, W2 = 210, W3 = 1
TL118	0.000 λ , 144.35 Ω	W = 0.025, L = 0.025	W = 1, L = 1
TL119	0.000 λ , 15.80 Ω	W = 5.334, L = 0.000	W = 210, L = 0
TL120	0.018 λ , 54.17 Ω	W = 1.016, L = 1.524	W = 40, L = 60
TL122		W1 = 13.970, W2 = 1.016, W3 = 13.970 W4 = 1.016	W1 = 550, W2 = 40, W3 = 550, W4 = 40
TL123	0.005 λ , 6.67 Ω	W = 13.970, L = 0.381	W = 550, L = 15
TL124	0.032 λ , 47.12 Ω	W = 1.270, L = 2.692	W = 50, L = 106
TL125, TL137	0.026 λ , 54.17 Ω	W = 1.016, L = 2.159	W = 40, L = 85
TL126	0.016 λ , 31.24 Ω	W = 2.286, L = 1.270	W = 90, L = 50
TL127, TL128	0.095 λ , 54.17 Ω	W = 1.016, L = 8.001	W = 40, L = 315
TL129	0.012 λ , 54.17 Ω	W = 1.016, L = 1.016	W = 40, L = 40
TL130	0.134 λ , 47.12 Ω	W = 1.270, L = 11.151	W = 50, L = 439
TL131	0.012 λ , 54.17 Ω	W = 1.016, L = 1.021	W = 40, L = 40
TL132	0.053 λ , 6.67 Ω	W = 13.970, L = 4.064	W = 550, L = 160
TL133, TL134	0.030 λ , 54.17 Ω	W = 1.016, L = 2.540	W = 40, L = 100
TL135, TL136	0.002 λ , 54.17 Ω	W = 1.016, L = 0.127	W = 40, L = 5
TL138		W1 = 1.016, W2 = 1.981	W1 = 40, W2 = 78

table continued on page 9

Reference Circuit (cont.)

Electrical Characteristics at 2170 MHz

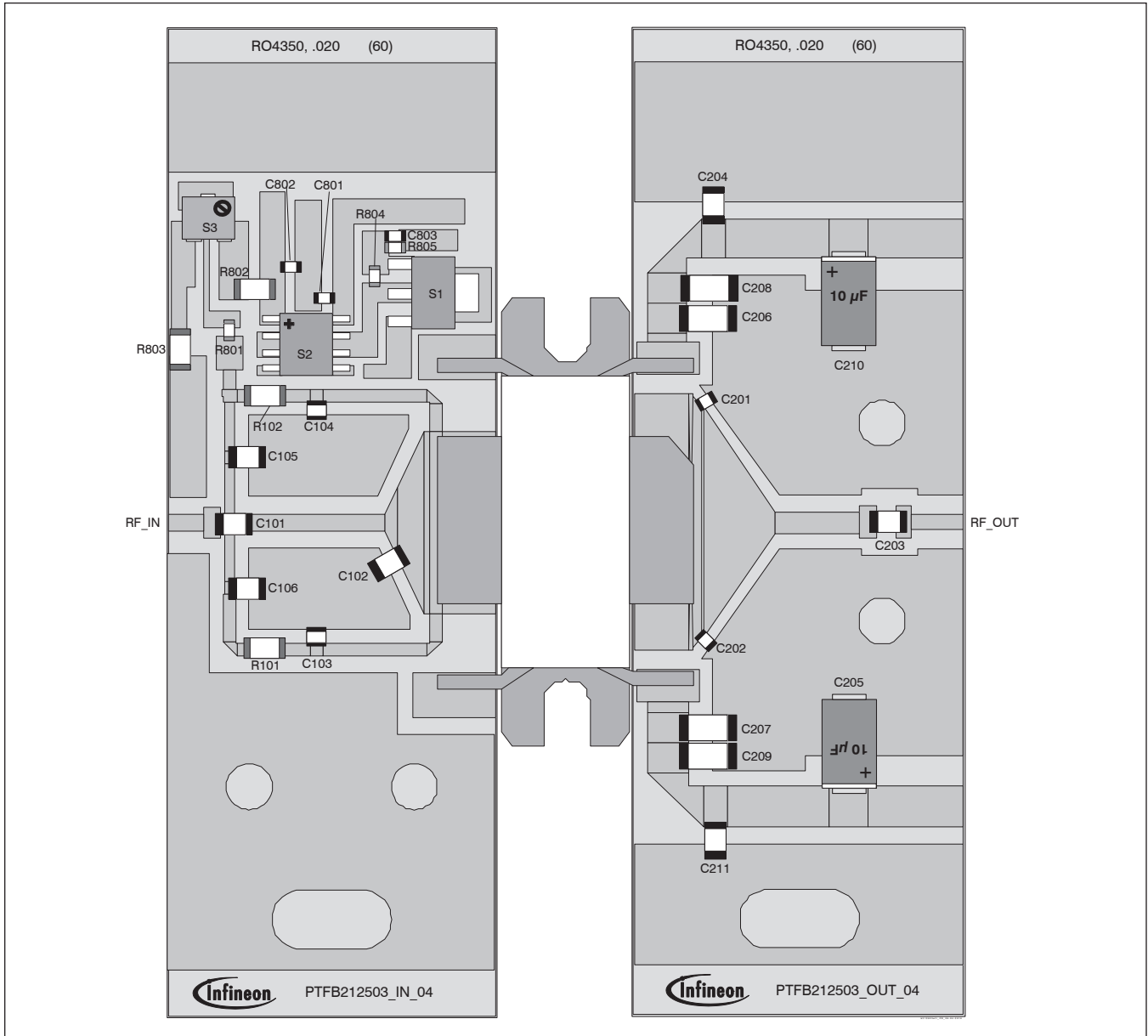
Transmission Line	Electrical Characteristics	Dimensions: mm	Dimensions: mils
Output			
TL201	0.054 λ , 4.84 Ω	W = 19.685, L = 4.064	W = 775, L = 160
TL202, TL203	0.016 λ , 28.85 Ω	W = 2.540, L = 1.270	W = 100, L = 50
TL204	0.078 λ , 39.51 Ω	W = 1.651, L = 6.426	W = 65, L = 253
TL205	0.032 λ , 16.90 Ω	W = 4.928, L = 2.540	W = 194, L = 100
TL206	0.032 λ , 17.05 Ω	W = 4.877, L = 2.540	W = 192, L = 100
TL207		W1 = 17.780, W2 = 0.025, W3 = 17.780 W4 = 0.025	W1 = 700, W2 = 1, W3 = 700, W4 = 1
TL208, TL211	0.092 λ , 25.04 Ω	W = 3.048, L = 7.341	W = 120, L = 289
TL209, TL234	0.010 λ , 25.04 Ω	W = 3.048, L = 0.762	W = 120, L = 30
TL210, TL232	0.098 λ , 25.04 Ω	W = 3.048, L = 7.823	W = 120, L = 308
TL212, TL229	0.038 λ , 25.04 Ω	W1 = 3.048, W2 = 3.048, W3 = 3.048	W1 = 120, W2 = 120, W3 = 120
TL213, TL214, TL230, TL231	0.029 λ , 25.04 Ω	W1 = 3.048, W2 = 3.048, W3 = 2.286	W1 = 120, W2 = 120, W3 = 90
TL215	0.003 λ , 4.84 Ω	W = 19.685, L = 0.254	W = 775, L = 10
TL216 (taper)	0.074 λ , 5.33 Ω / 39.51 Ω	W1 = 17.780, W2 = 1.651, L = 5.588	W1 = 700, W2 = 65, L = 220
TL217 (taper)	0.010 λ , 4.84 Ω / 5.33 Ω	W1 = 19.685, W2 = 17.780, L = 0.762	W1 = 775, W2 = 700, L = 30
TL218		W1 = 12.700, W2 = 17.780	W1 = 500, W2 = 700
TL219		W1 = 1.651, W2 = 2.540	W1 = 65, W2 = 100
TL220		W1 = 1.270, W2 = 2.540	W1 = 50, W2 = 100
TL221, TL222	0.000 λ , 144.35 Ω	W = 0.025, L = 0.025	W = 1, L = 1
TL223, TL224	0.000 λ , 5.33 Ω	W = 17.780, L = 0.025	W = 700, L = 1
TL225	0.047 λ , 47.12 Ω	W = 1.270, L = 3.912	W = 50, L = 154
TL226, TL233	0.023 λ , 25.04 Ω	W1 = 3.048, W2 = 3.048, W3 = 1.829	W1 = 120, W2 = 120, W3 = 72

Reference Circuit (cont.)

Circuit Assembly Information

Test Fixture Part No. LTN/PTFB212503EF

Find Gerber files for this test fixture on the Infineon Web site at <http://www.infineon.com/rfpower>



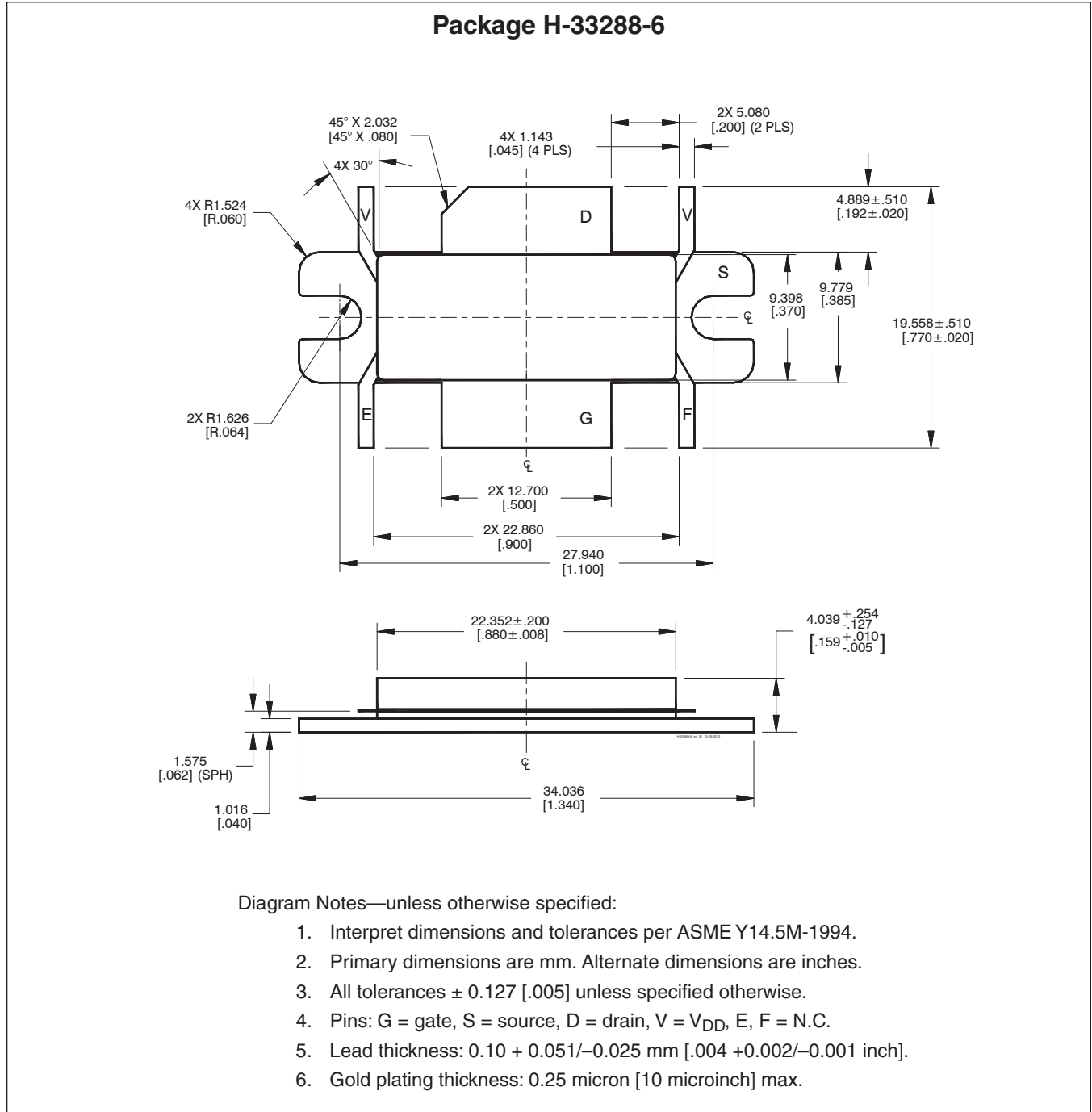
Reference circuit assembly diagram (not to scale)

Reference Circuit (cont.)

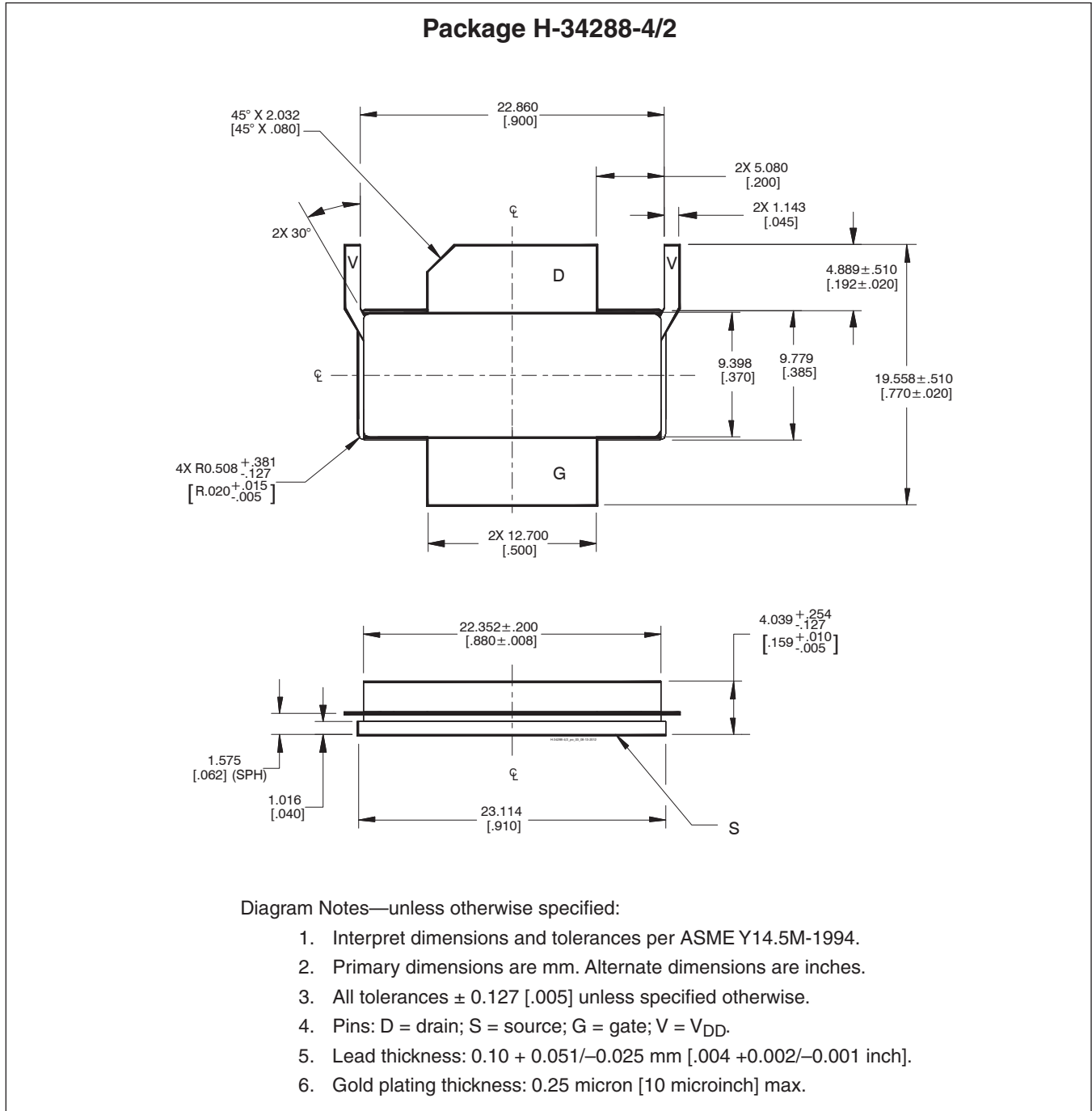
Components Information

Component	Description	Suggested Manufacturer	P/N
Input			
C101	Chip capacitor, 7.5 pF	ATC	ATC100B7R5BW500XB
C102	Chip capacitor, 2.4 pF	ATC	ATC100B2R4BW500XB
C103, C104	Chip capacitor, 10 pF	ATC	ATC100A100JW500XB
C105, C106	Chip capacitor, 4.7 μ F	Digi-Key	493-2372-2-ND
C801, C802, C803	Capacitor, 1000 pF	Digi-Key	PCC1772CT-ND
R101, R102, R803	Resistor, 10 Ω	Digi-Key	P10ECT-ND
R801	Resistor, 10 Ω	Digi-Key	P10GCT-ND
R802	Resistor, 100 Ω	Digi-Key	P101ECT-ND
R804	Resistor, 1200 Ω	Digi-Key	P1.2KGCT-ND
R805	Resistor, 1300 Ω	Digi-Key	P1.3KGCT-ND
S1	Transistor	Digi-Key	BCP56
S2	Voltage Regulator	Digi-Key	LM78L05ACM-ND
S3	Potentiometer, 2k Ω	Digi-Key	3224W-202ECT-ND
Output			
C201, C202	Chip capacitor, 1.2 pF	ATC	ATC100A1R2BW500XB
C203	Chip capacitor, 6.2 pF	ATC	ATC100B6R2JW500XB
C204, C211	Capacitor, 10 μ F	Digi-Key	587-1818-2-ND
C205, C210	Capacitor, 10 μ F	Garrett Electronics	281M5002106K
C206, C207	Chip capacitor, 2.2 μ F	Digi-Key	445-1447-2-ND
C208, C209	Chip capacitor, 1 μ F	Digi-Key	445-1411-2-ND

Package Outline Specifications



Package Outline Specifications (cont.)



Find the latest and most complete information about products and packaging at the Infineon Internet page
<http://www.infineon.com/rfpower>

Revision History: 2016-06-15 Data Sheet

Previous Version: 2010-11-04, Data Sheet

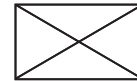
Page	Subjects (major changes since last revision)
2	Updated ordering information

We Listen to Your Comments

Any information within this document that you feel is wrong, unclear or missing at all?
 Your feedback will help us to continuously improve the quality of this document.
 Please send your proposal (including a reference to this document) to:

highpowerRF@infineon.com

To request other information, contact us at:
 +1 877 465 3667 (1-877-GO-LDMOS) USA
 or +1 408 776 0600 International



Edition 2016-06-15

Published by
Infineon Technologies AG
 81726 Munich, Germany

© 2009 Infineon Technologies AG
 All Rights Reserved.

Legal Disclaimer

The information given in this document shall in no event be regarded as a guarantee of conditions or characteristics. With respect to any examples or hints given herein, any typical values stated herein and/or any information regarding the application of the device, Infineon Technologies hereby disclaims any and all warranties and liabilities of any kind, including without limitation, warranties of non-infringement of intellectual property rights of any third party.

Information

For further information on technology, delivery terms and conditions and prices, please contact the nearest Infineon Technologies Office (www.infineon.com/rfpower).

Warnings

Due to technical requirements, components may contain dangerous substances. For information on the types in question, please contact the nearest Infineon Technologies Office.

Infineon Technologies components may be used in life-support devices or systems only with the express written approval of Infineon Technologies, if a failure of such components can reasonably be expected to cause the failure of that life-support device or system or to affect the safety or effectiveness of that device or system. Life support devices or systems are intended to be implanted in the human body or to support and/or maintain and sustain and/or protect human life. If they fail, it is reasonable to assume that the health of the user or other persons may be endangered.