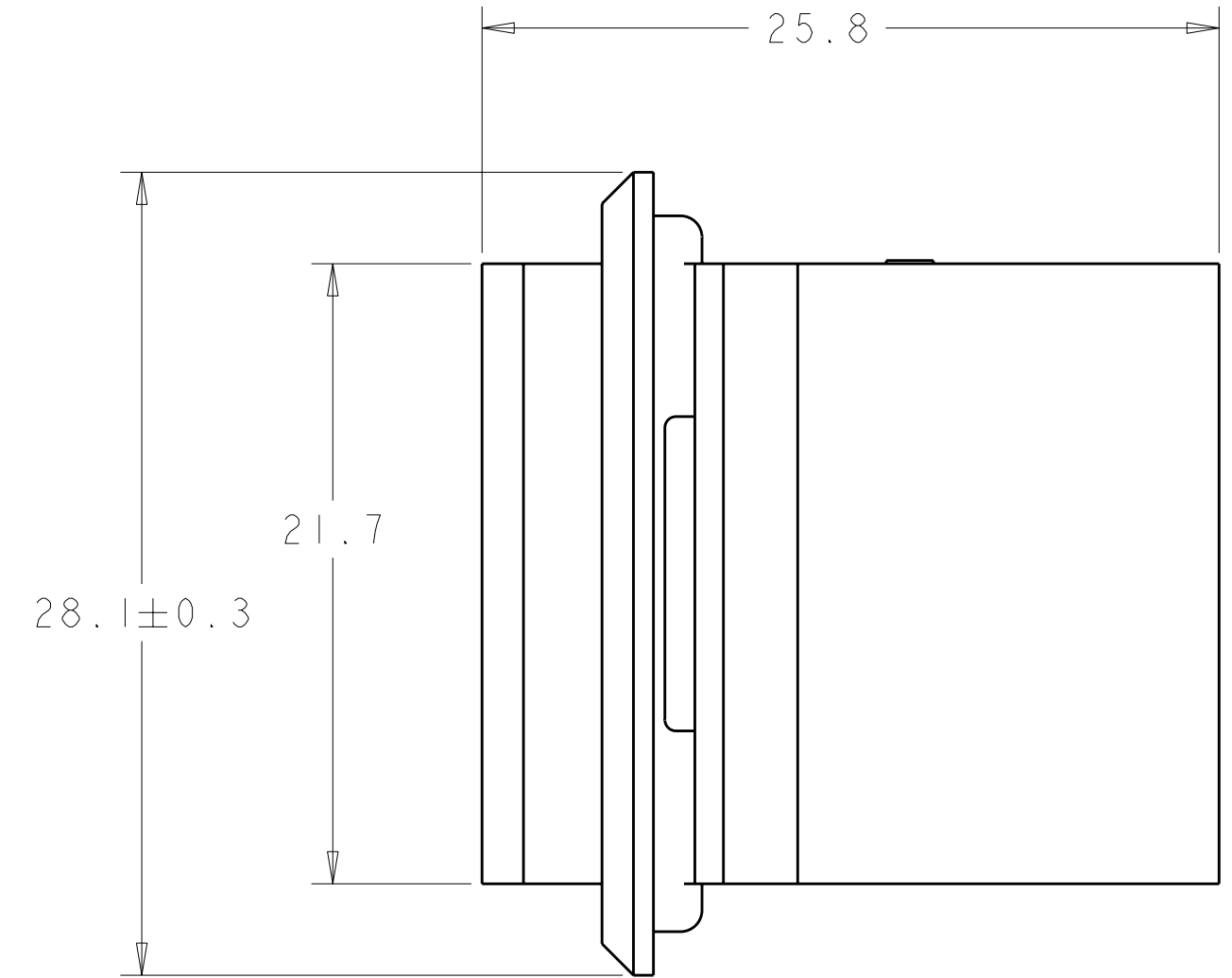
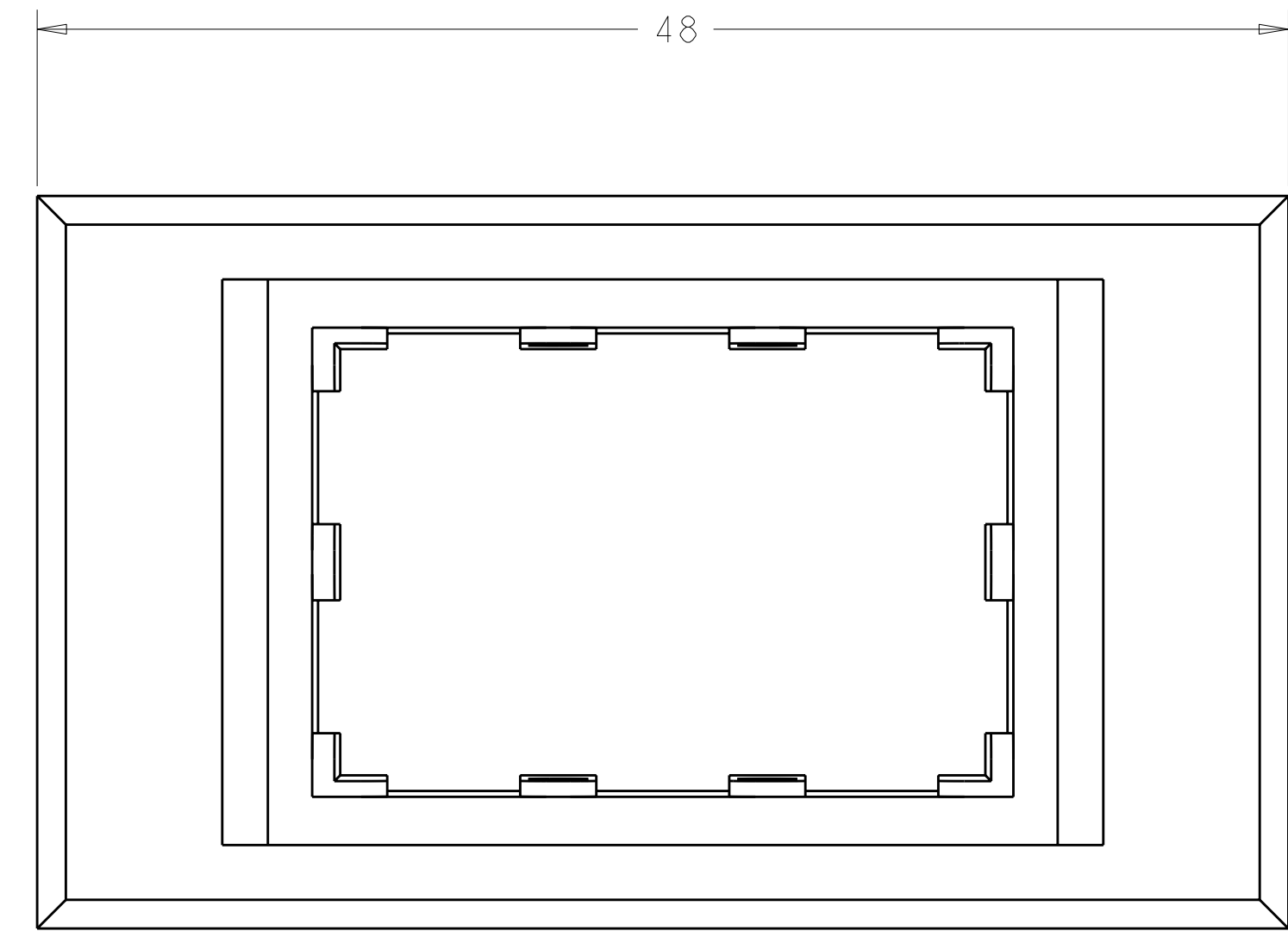
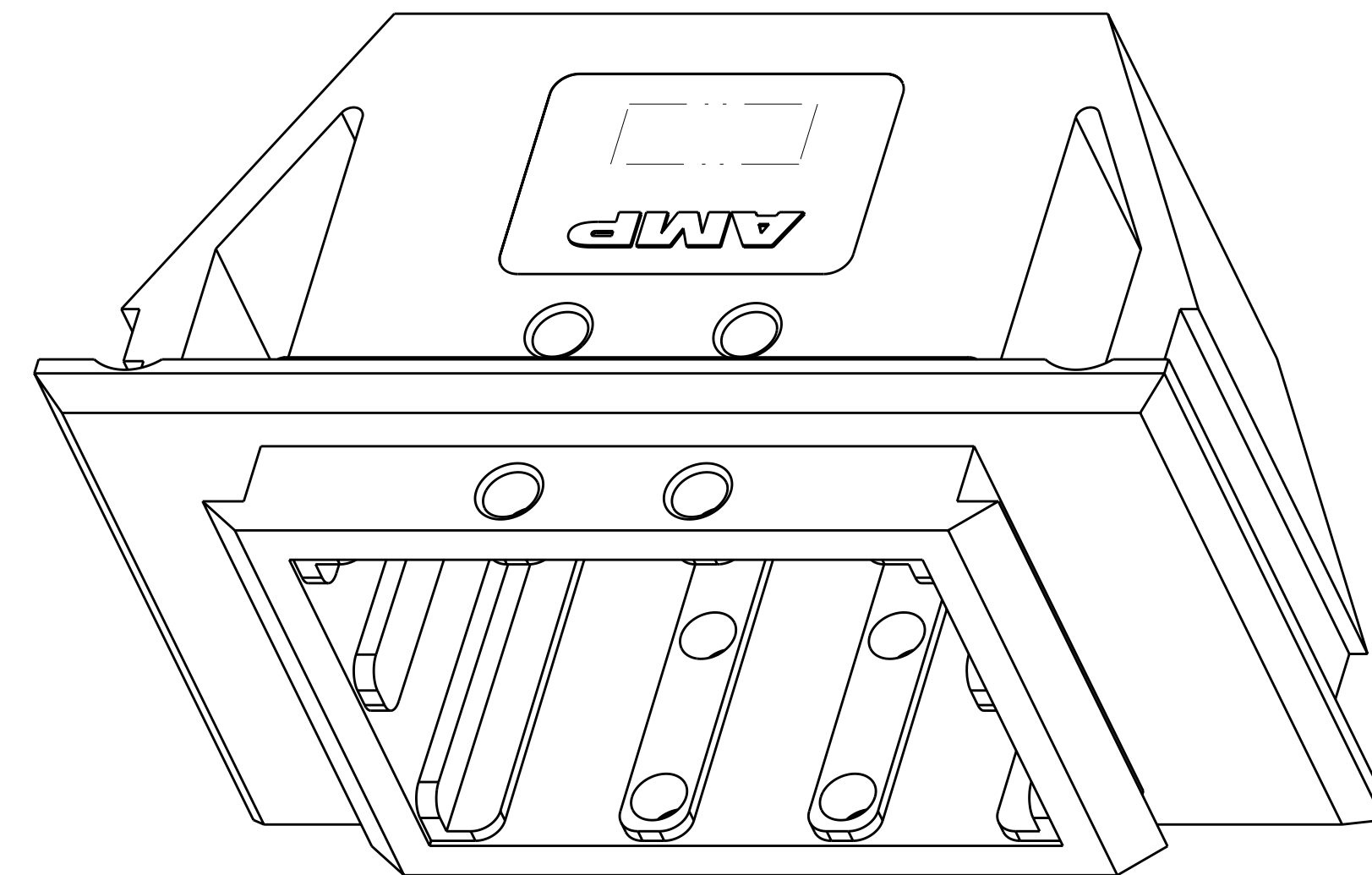
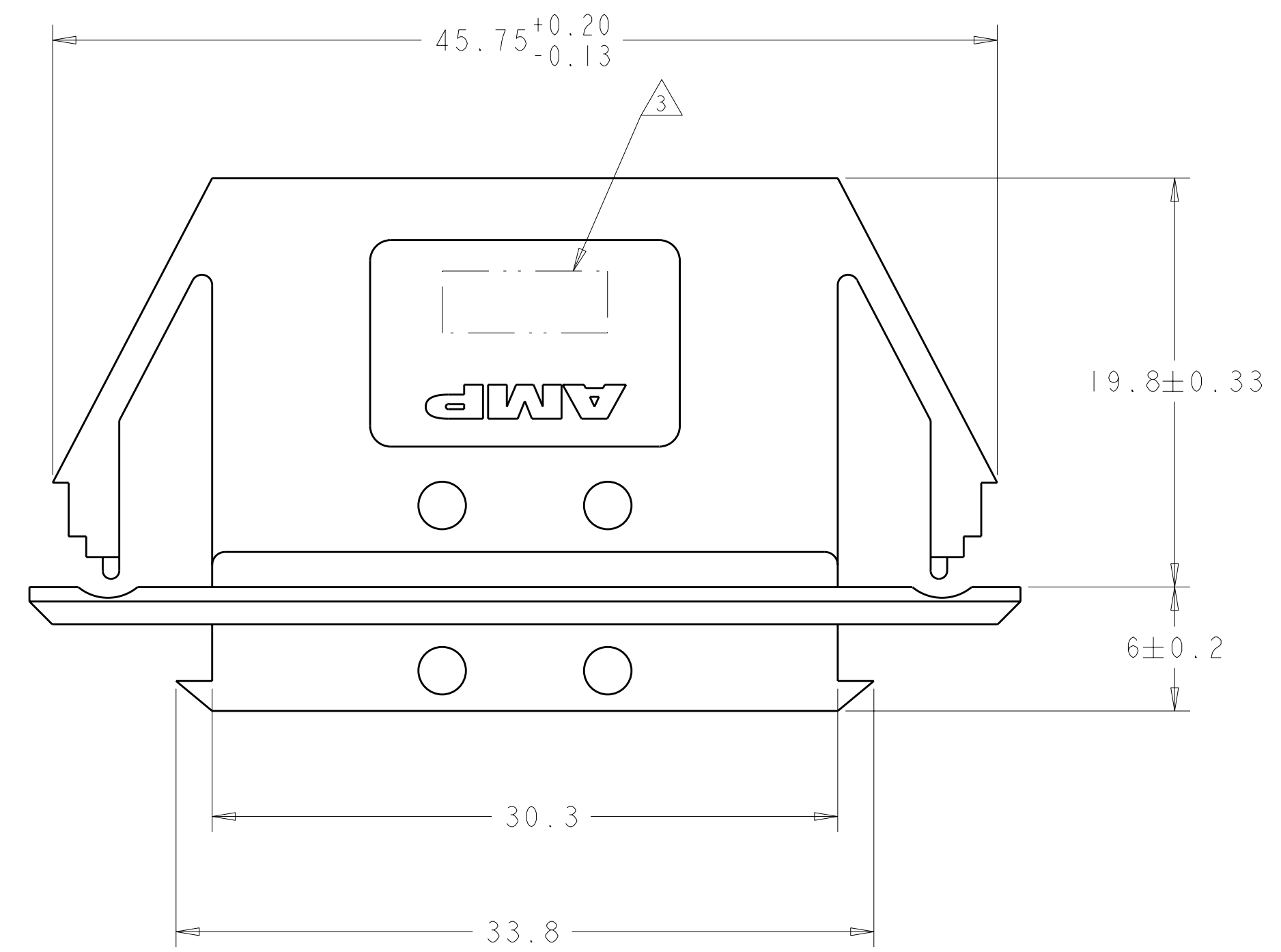


LOC	DIST	REVISIONS			
FT	0	REV	DATE	DWN	APVD
		B	REVISD PER ECO-11-005167	03JUN2011	HMR DY



1. MATERIAL: POLYCARBONATE 94-V0
2. COLOR: BLACK
3. TE OR TE CONNECTIVITY LOGO LOCATED APPROX IN THIS AREA.

1604078-1
PART NUMBER

THIS DRAWING IS A CONTROLLED DOCUMENT.		DWN: B. HAYMAKER 09JAN2002	NAME: HOUSING, 2X3 POWER SERIES RECEPTACLE	
DIMENSIONS: mm		CHK: K. KETELSLEGER 14MAR02	SIZE: A100779 C=1604078	
TOLERANCES UNLESS OTHERWISE SPECIFIED:		APVD: K. KETELSLEGER 14MAR02	SCALE: 4:1 SHEET 1 OF 1 REV B	
0 PLC ±0.13	1 PLC ±0.13	PRODUCT SPEC: -	RESTRICTED TO: -	
2 PLC ±0.13	3 PLC ±0.13	APPLICATION SPEC: -		
4 PLC ±0.13	ANGLES ±°	WEIGHT: -		
FINISH: -		CUSTOMER DRAWING		