

RF Schottky Diodes for High Frequency Detector, Mixer or Power Leveling



General description

- Excellent RF Schottky Diodes available as single, double, triple and quad
- Various diode configurations (e. g. common anode, common cathode)
- All products have additional guard-ring diode integrated on chip for overvoltage protection
- RoHS compliant package portfolio including industry standard sizes (e. g. SOT3x3) and super thin-small-leadless-packages (e. g. world smallest diode package TSSLP2, 0.6*0.3*0.3mm³)
- Automotive (AECQ101) qualified

Target applications

Detector, mixer and power leveling for:
Wireless LAN detector, cellular phone, 24GHz radar system, video detector, ...



RF Mixer Diodes Performance Table & Product Highlights:

BAT24-02LS: Premium parasitic inductance combined with small capacitance values, best fit for high frequency up to 24GHz
BAT15x: Best-in-class RF mixer/detector diodes in various packages and configurations

Family	V _R max [V]	I _F max [mA]	C _T at 0V [pF]	V _F [V] at 1mA	Package	Configuration ¹⁾
BAT15	4	110	0.26	230	TSLP2/SOD323/SOT323/TSLP4/SOT143	S/D/Q
BAT17	4	130	0.55	340	SOT23/SOT323/SOT143	S/D
BAT24	4	110	0.21	230	TSSLP2	S

RF Signal Detection and Power Leveling Diodes Performance Table & Product Highlights:

BAT62-02LS : Super tiny RF Schottky detector diode in leadless package (0.6*0.3*0.3mm³ only)
BAT63-02V: very low forward voltage combined with tiny package (1.6*0.8*0.55mm³ only)

Family	V _R max [V]	I _F max [mA]	C _T at 0V [pF]	V _F [V]	I _F [mA]	R ₀ [kΩ] @ V=0V	Package	Configuration ¹⁾
BAT62	40	20	0.35	580	2	225	SOT143/SOD323/SOT343 TSLP2/TSSLP2/SCD80/TSLP4	S/D
BAT63	3	100	0.65	190	1	30	SC79/SOT343	S/D
BAT68	8	130	0.75	318	1		SOT23/SOT323/SOT343/SOT363	S/D

1) Configuration: S=Single, D=Dual, T=Triple, Q=Quad

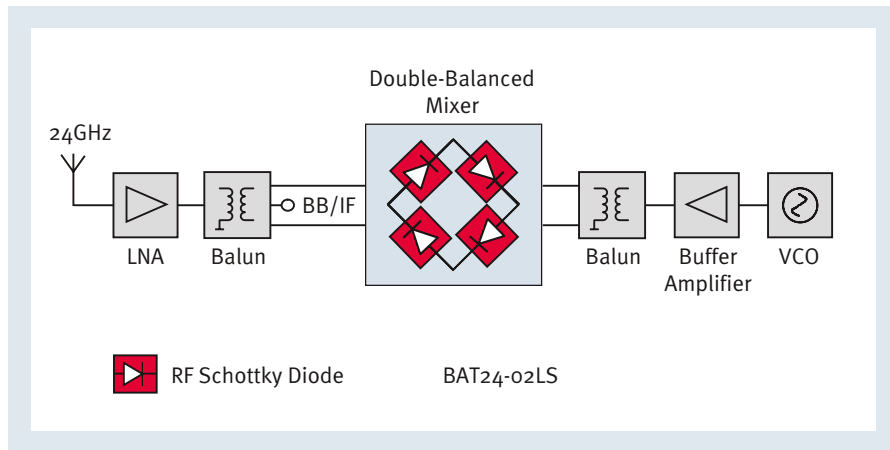
www.infineon.com/schottkydiodes

Small Signal Discretes

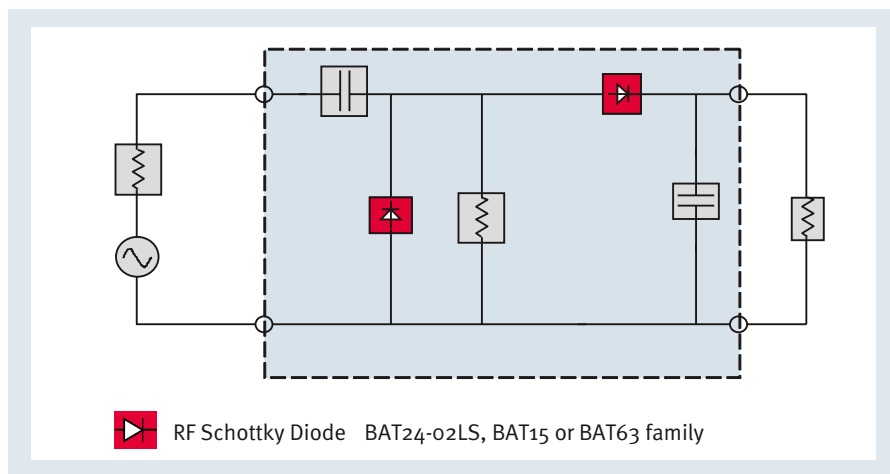


Never stop thinking

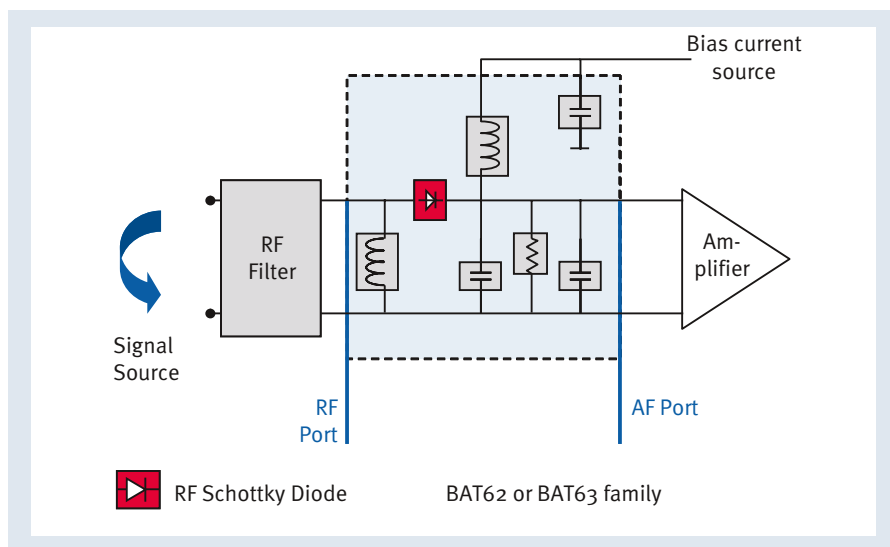
Application Examples



BAT24-o2LS for 24GHz Radar Mixer Cell



**Virtual battery using
BAT15, BAT24 or BAT63 family**



**High Frequency RF Detection using
BAT62 or BAT63 family**

How to reach us:
<http://www.infineon.com>

Published by
Infineon Technologies AG
81726 Munich, Germany

© 2007 Infineon Technologies AG
All Rights Reserved.

Legal Disclaimer

The information given in this Product Brief shall in no event be regarded as a guarantee of conditions or characteristics. With respect to any examples or hints given herein, any typical values stated herein and/or any information regarding the application of the device, Infineon Technologies hereby disclaims any and all warranties and liabilities of any kind, including without limitation, warranties of non-infringement of intellectual property rights of any third party.

Information

For further information on technology, delivery terms and conditions and prices, please contact the nearest Infineon Technologies Office (www.infineon.com).

Warnings

Due to technical requirements, components may contain dangerous substances. For information on the types in question, please contact the nearest Infineon Technologies Office.

Infineon Technologies components may be used in life-support devices or systems only with the express written approval of Infineon Technologies, if a failure of such components can reasonably be expected to cause the failure of that life-support device or system or to affect the safety or effectiveness of that device or system. Life support devices or systems are intended to be implanted in the human body or to support and/or maintain and sustain and/or protect human life. If they fail, it is reasonable to assume that the health of the user or other persons may be endangered.