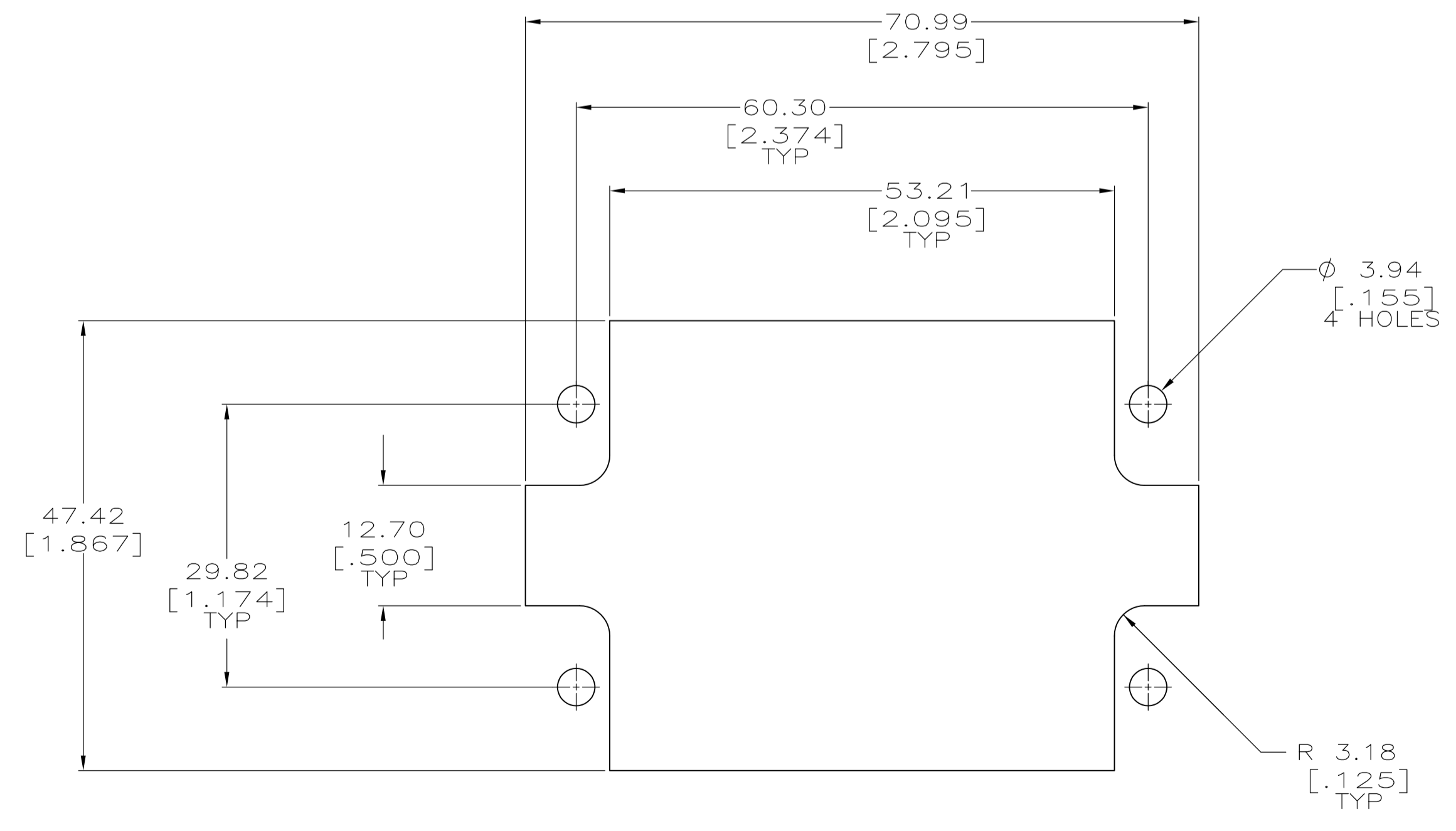
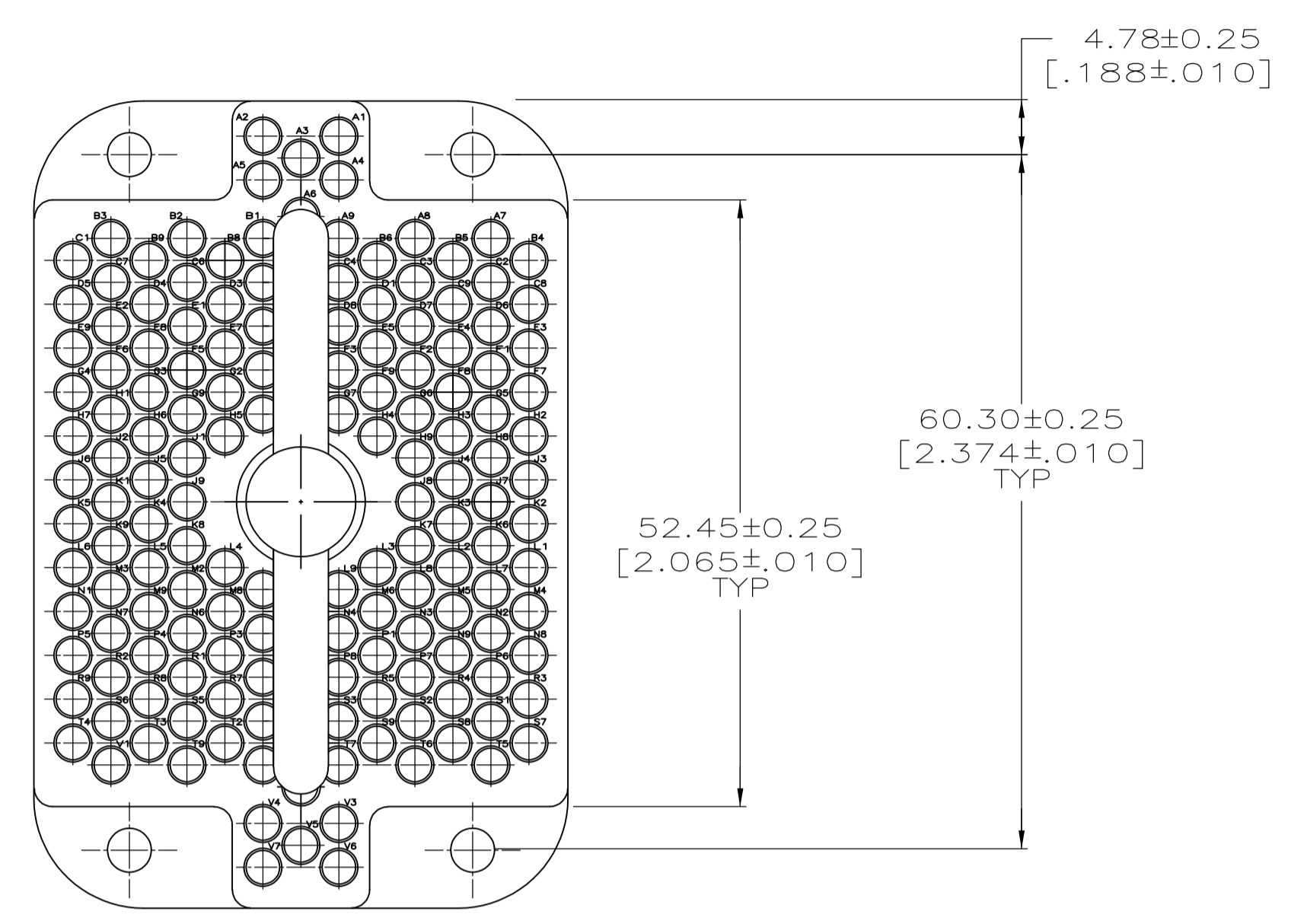
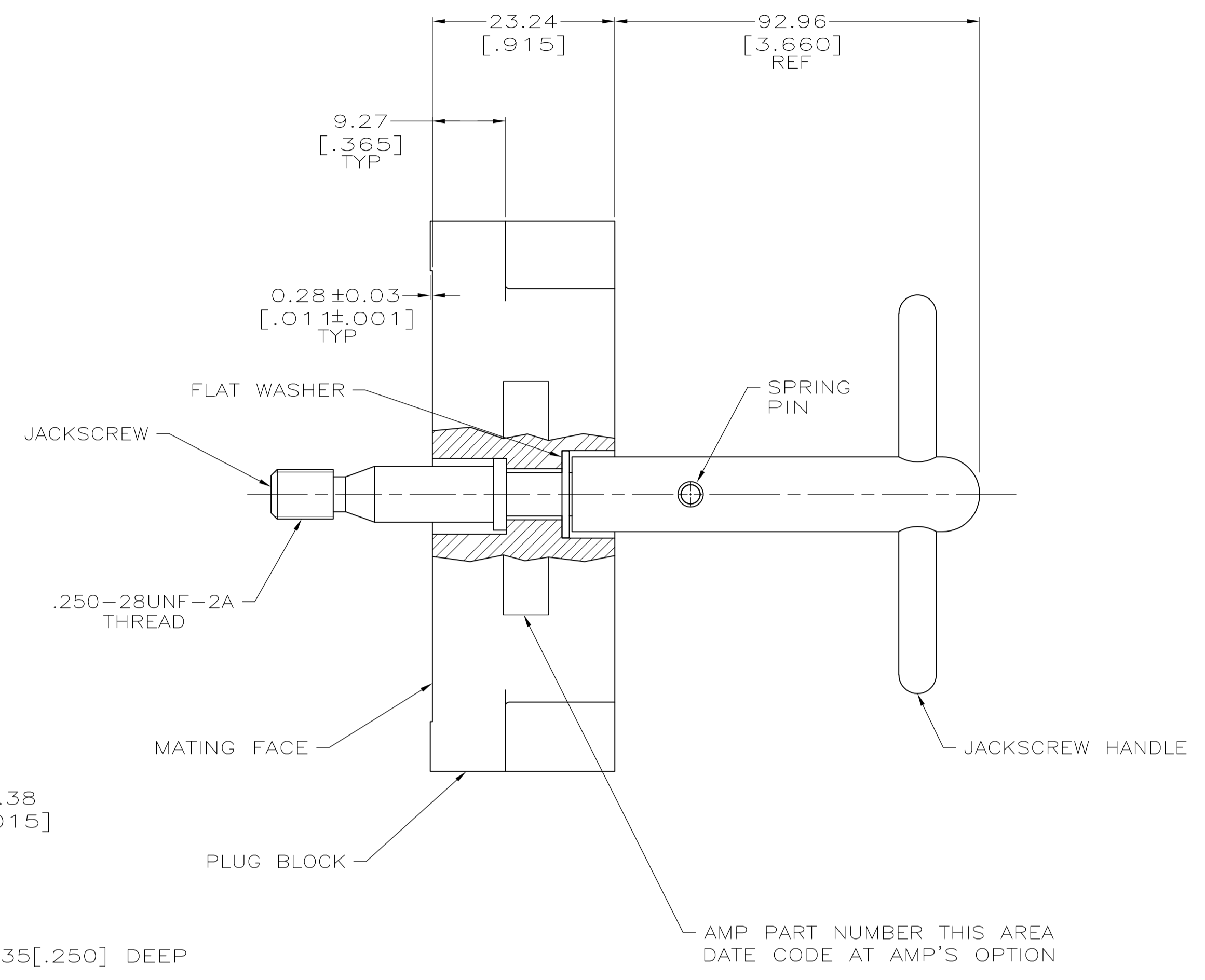
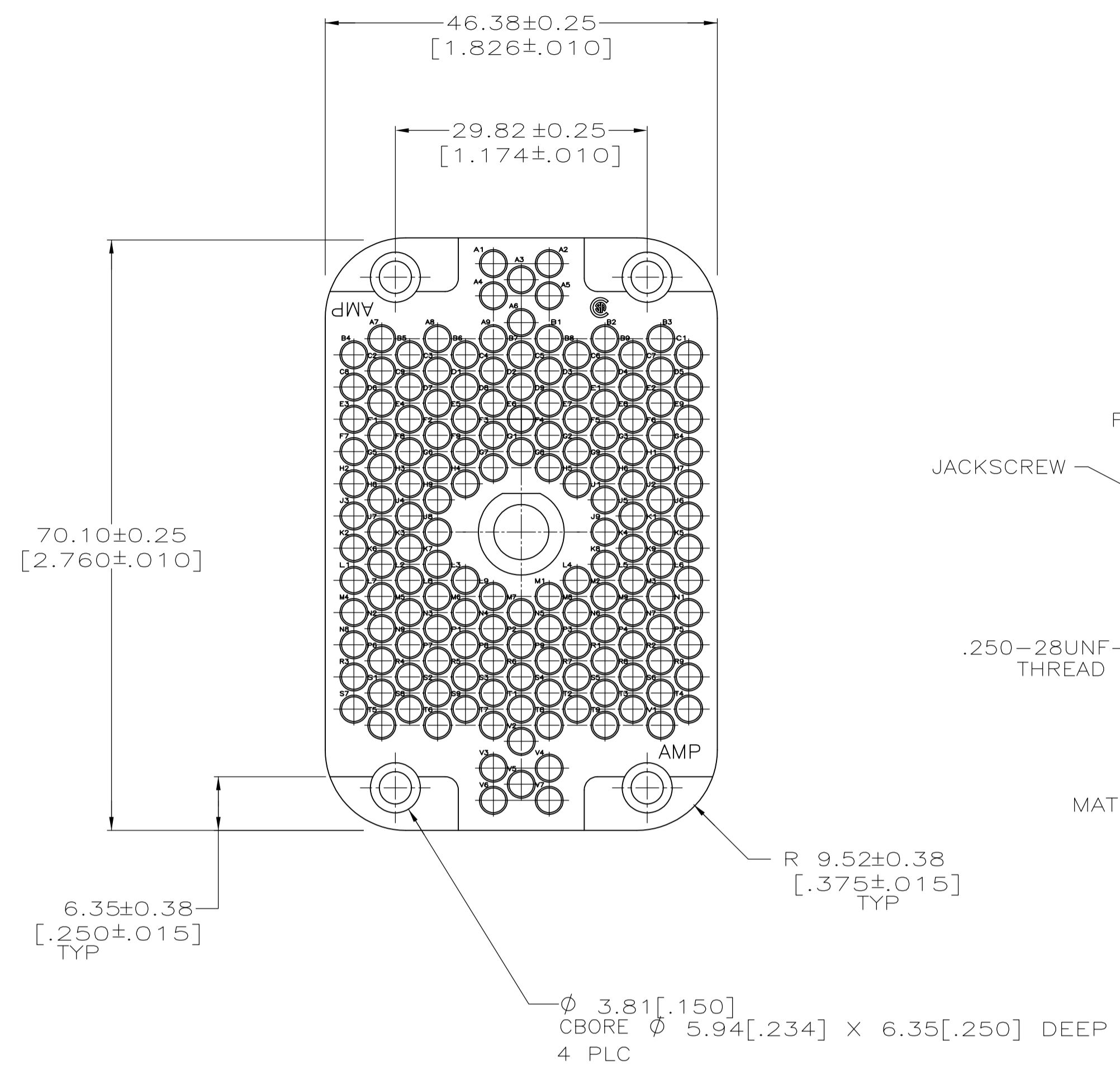


REVISIONS					
P	LTR	DESCRIPTION	DATE	DWN	APVD
A		REVISED PER ECO-16-004000	29SEP2016	NK	MZ



- THIS ASSEMBLY MATES WITH 796089-1.
- JACKSCREW, JACKSCREW HANDLE AND FLAT WASHER: STAINLESS STEEL. RECEPTACLE BLOCK; DIALYL PHTHALATE, BLUE. SPRING PIN: CARBON STEEL.
- FINISH: ZINC PLATE WITH HEXAVALENT CHROMATE.
- FINISH: ZINC PLATE WITH NON-HEXAVALENT CHROMATE.

OBSOLETE	△	-796092-2
	△	796092-1
SPRING PIN FINISH		PART NUMBER

THIS DRAWING IS A CONTROLLED DOCUMENT.

DIMENSIONS: mm [INCHES]	TOLERANCES UNLESS OTHERWISE SPECIFIED:	DIN C. DORWART 06 MAY 98	APVD G. STEINHAUER 07 MAY 98	NAME
0 PLC ± -	1 PLC ± -	2 PLC ± 0.13 [.005]	3 PLC ± -	4 PLC ± -
ANGLES ± -				
MATERIAL	FINISH	WEIGHT	SIZE CAGE CODE DRAWING NO	RESTRICTED TO
			A1 00779 C=796092	
CUSTOMER DRAWING		SCALE 2:1	SHEET 1 of 1	REV A

STE TE Connectivity

PLUG BLOCK ASSEMBLY, 160 POSITION, WITH CENTER FASTENER, M SERIES