

4

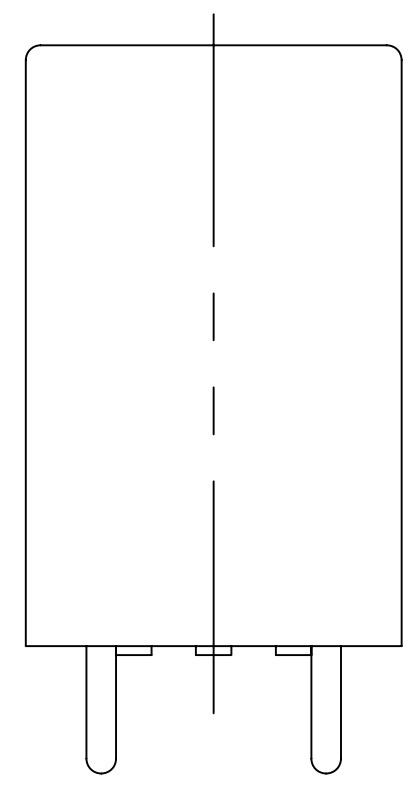
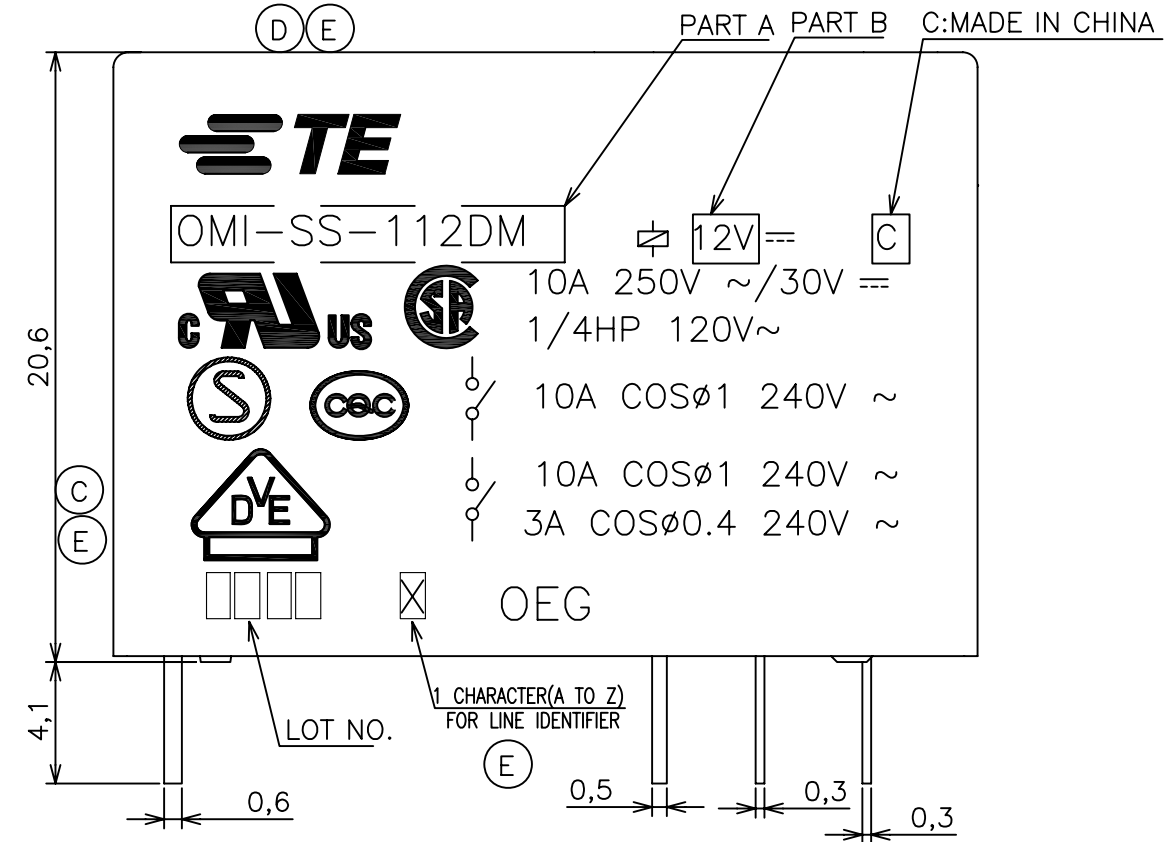
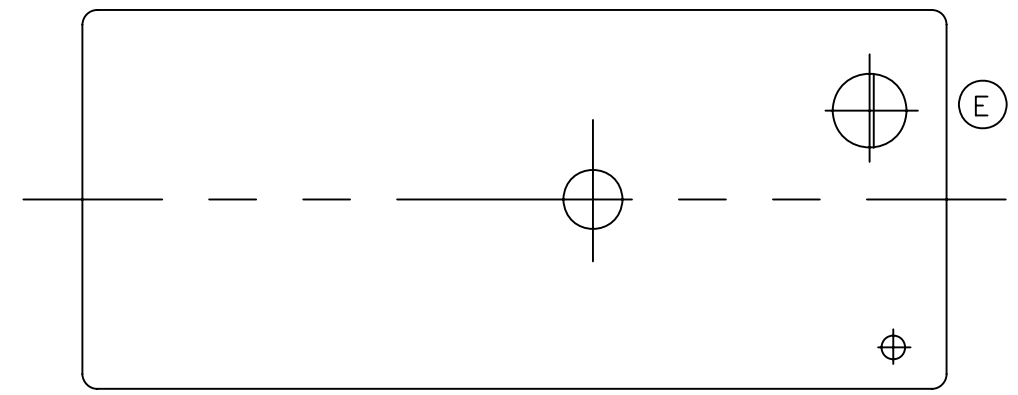
3

2

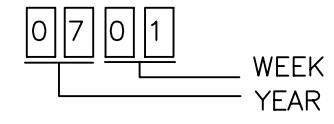
1

THIS DRAWING IS UNPUBLISHED. RELEASED FOR PUBLICATION
 © COPYRIGHT - By - ALL RIGHTS RESERVED.

LOC	DIST	REVISIONS					
		P	LTR	DESCRIPTION	DATE	DWN	APVD
HB	-	E		CHANGE LOGO, VENT HOLE; ADD CQC, LINE IDENTIFIER AND PLATING THICKNESS ECO-12-005725	21-AUG-12	D.L	BH.Y



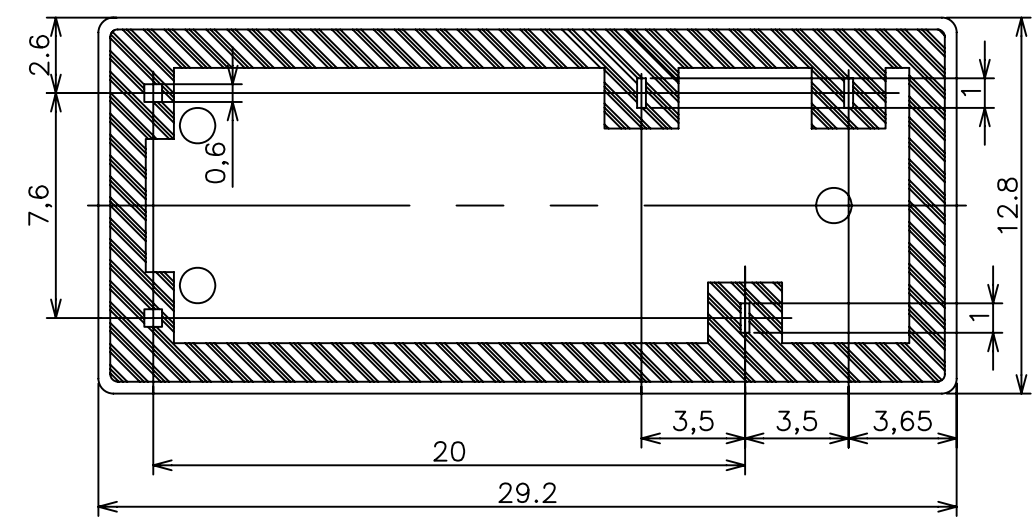
NOTES:
 1.-SS- : PLASTIC SEALD TYPE
 2.LOT NO. SYSTEM AS FOLLOWING:



3.GENERAL TOLERANCE AS FOLLOWING:

TOLERANCE	
0~0.99mm	±0.1
1mm~2.99mm	±0.2
3mmMIN.	±0.3

4.TERMINAL DIMENSION IS NOT INCLUDING SOLDER TIP.
 FOR THE TIN-PLATING OF THE PINS:
 +0.1mm FOR WIDTH,THICKNESS AND DIAMETER.
 +0.5mm FOR LENGTH.



THIS DRAWING IS A CONTROLLED DOCUMENT.		DWN H.SASAKI		TE Connectivity NAME OMI -SS-D/L CUSTOMER DRAWING	
DIMENSIONS: mm		CHK Y.OIKAWA			
TOLERANCES UNLESS OTHERWISE SPECIFIED:		APVD A.NAGAI		PRODUCT SPEC	
0 PLC ± - 1 PLC ± - 2 PLC ± - 3 PLC ± - 4 PLC ± - ANGLES ± -		APPLICATION SPEC		SIZE	
MATERIAL		WEIGHT		CAGE CODE	
		CUSTOMER DRAWING		DRAWING NO	
				RESTRICTED TO	
				SCALE 4:1	
				SHEET 1 of 2	
				REV E	

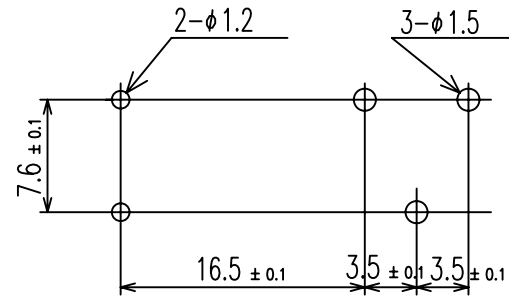
THIS DRAWING IS UNPUBLISHED. RELEASED FOR PUBLICATION
 © COPYRIGHT - By - ALL RIGHTS RESERVED.

LOC	DIST	REVISIONS					
		P	LTR	DESCRIPTION	DATE	DWN	APVD
HB	-						

CONNECTION DIAGRAM
(BOTTOM VIEW)



DRILLING DIAGRAM(2/1)
(BOTTOM VIEW)



TE PART NO	EC TYPE NAME	PART A	PART B
1461385-2	OMI-SS-109D	OMI-SS-109D	9V
6-1440000-4	OMI-SS-148L	OMI-SS-148L	48V
6-1440000-3	OMI-SS-148D	OMI-SS-148D	48V
6-1440000-2	OMI-SS-136D	OMI-SS-136D	36V
6-1440000-0	OMI-SS-124L	OMI-SS-124L	24V
5-1440000-8	OMI-SS-124D	OMI-SS-124D	24V
5-1440000-6	OMI-SS-112L	OMI-SS-112L	12V
5-1440000-4	OMI-SS-112D	OMI-SS-112D	12V
5-1440000-3	OMI-SS-109L	OMI-SS-109L	9V
5-1440000-1	OMI-SS-106L	OMI-SS-106L	6V
5-1440000-0	OMI-SS-106D	OMI-SS-106D	6V
4-1440000-8	OMI-SS-105L	OMI-SS-105L	5V
4-1440000-6	OMI-SS-105D	OMI-SS-105D	5V

RELAY TYPE

INCOMBUSTIBILITY	TREATMENT	MATERIAL	DESCRIPTION	ITEM
		EPOXY RESIN	RESIN	17
		PBT	CASE	16
		-	TAPE	15
		UEW	MAGNETIC WIRE	14
		PET	BASE	13
		PBT	BOBBIN	12
	SOLDER DIP	CP WIRE	COIL TERMINAL	11
		PPS	CARD	10
		Ag ALLOY	MOVABLE CONTACT	9
		Ag ALLOY	STATIONARY CONTACT	8
		Cu ALLOY	HINGE SPRING	7
	SOLDER DIP	Cu ALLOY	B TERMINAL	6
	SOLDER DIP	Cu ALLOY	M TERMINAL	5
	SOLDER DIP	Cu ALLOY	MOVABLE SPRING	4
		STEEL	CORE	3
		STEEL	ARMATURE	2
		STEEL	YOKE	1

THIS DRAWING IS A CONTROLLED DOCUMENT.		DWN H.SASAKI	TE Connectivity	
DIMENSIONS: mm		CHK Y.OIKAWA		
		APVD A.NAGAI	NAME -	
TOLERANCES UNLESS OTHERWISE SPECIFIED:		PRODUCT SPEC	OMI -SS-D/L CUSTOMER DRAWING	
0 PLC ± -		APPLICATION SPEC	SIZE	RESTRICTED TO
1 PLC ± -		WEIGHT	A3	-
2 PLC ± -		CUSTOMER DRAWING	CAGE CODE	DRAWING NO
3 PLC ± -			00779	4-1440000-6
4 PLC ± -				
ANGLES ± -				
FINISH				
			SCALE	SHEET
			4:1	2 of 2
				REV
				E