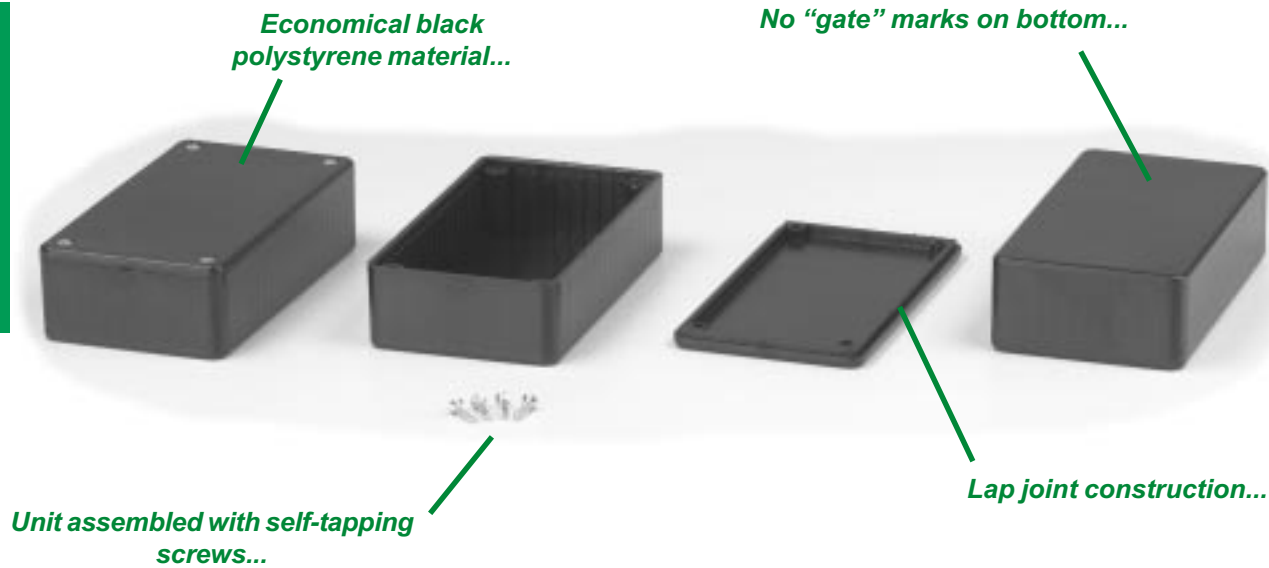


# Multipurpose - Polystyrene (1591 Series)

Plastic



## OTHER KEY FEATURES

- Electronic instrument enclosures, designed for mounting printed circuit boards.
- Integral card guides accept 1.5 mm (0.062") P.C. cards.
- Lap joint construction provides protection against access of dust and splashing water.
- Designed to meet IP54
- Molded in economical black polystyrene.
- Lid is secured with black anodized self-tapping #4 x 0.5" Philips screws.

## ACCESSORIES



### P.C. Board Card Adaptors

Allows horizontal mounting of P.C. board(s). See "Accessories Section" for full details!  
**1591Z6** - Package of 6  
**1591Z50** - Package of 50  
**1591Z100** - Package of 100



### Replacement Screws

Self-tapping type, black oxide, #4 x 0.5"  
**1591TS100BK** - Package of 100



### Flange Kits

Mount to either the rear (using glue) or can be attached to the lid using existing lid screws and holes. See "Accessories Section" for full details!



### Clear Lids

Stocked in prototype quantities - made of clear, flame retardant polycarbonate. Lid ONLY.  
**1591LC** - use with 1591L & M  
**1591AC** - use with 1591A  
**1591BC** - use with 1591B  
**1591CC** - use with 1591C  
**1591DC** - use with 1591D  
**1591EC** - use with 1591E  
**1591GC** - use with 1591G  
**1591HC** - use with 1591H  
**1591SC** - use with 1591S  
**1591TC** - use with 1591T  
**1591UC** - use with 1591U  
**1591VC** - use with 1591V

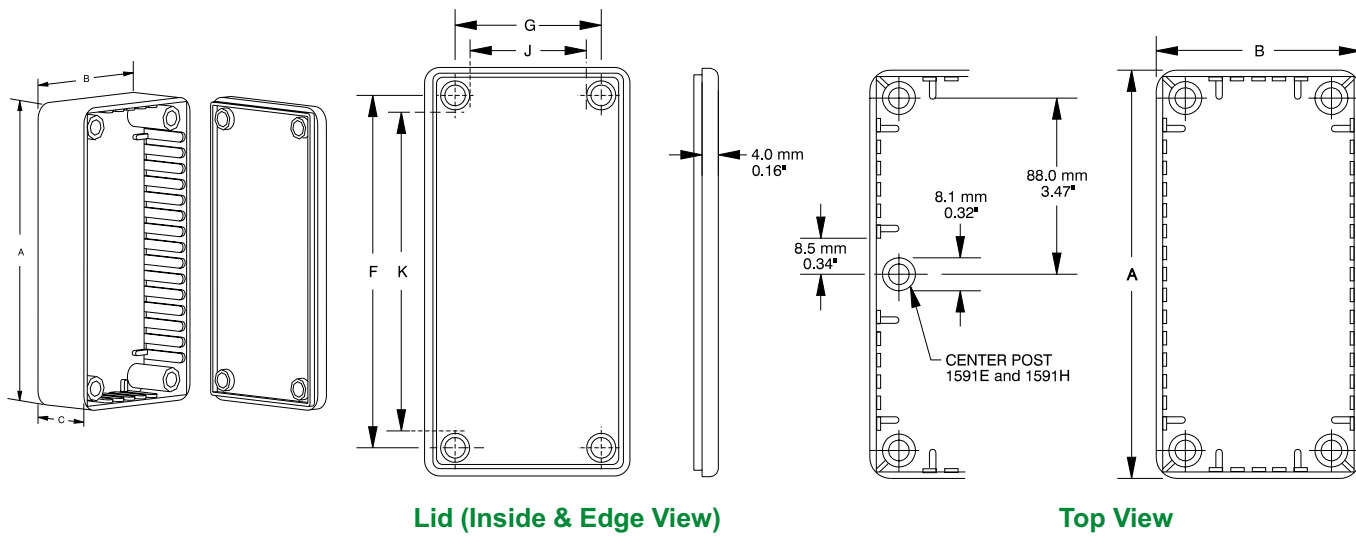


### Belt or Pocket Clip

Molded from tough nylon, includes 2 nylon screws and mounting template.  
**1599CLIP** - Black  
**1599CLIPGY** - Grey

# Multipurpose - Polystyrene (1591 Series)

Plastic



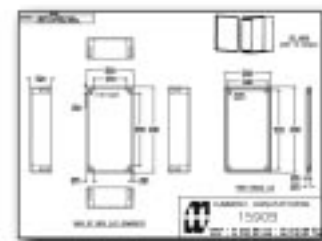
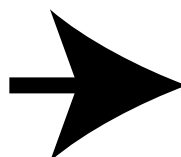
Lid (Inside & Edge View)

Top View

Part Number	Units	Dimensions						P.C. Card Clearance	
		A	B	C (No Lid)	F	G	J	K	
<b>1591MSBK</b>	inch	3.3	2.2	0.8	2.8	1.7	1.3	2.5	
	mm	85	56	21	71	42	34	63	
<b>1591LSBK</b>	inch	3.3	2.2	1.4	2.9	1.7	1.4	2.5	
	mm	85	56	35	73	44	35	64	
<b>1591ASBK</b>	inch	3.9	2.0	0.8	3.4	1.4	1.1	3.1	
	mm	100	50	21	86	36	29	79	
<b>1591SSBK</b>	inch	4.3	3.2	1.6	3.8	2.7	2.4	3.5	
	mm	110	82	40	98	70	61	89	
<b>1591BSBK</b>	inch	4.4	2.4	1.1	3.9	1.9	1.6	3.5	
	mm	112	62	27	98	48	41	91	
<b>1591CSBK</b>	inch	4.7	2.6	1.4	4.2	2.0	1.7	3.9	
	mm	120	65	36	106	51	44	99	
<b>1591TSBK</b>	inch	4.7	3.2	2.2	4.2	2.6	2.3	3.9	
	mm	120	80	55	106	66	59	99	
<b>1591USBK</b>	inch	4.7	4.7	2.2	4.2	4.2	3.9	3.9	
	mm	120	120	55	106	106	99	99	
<b>1591VSBK</b>	inch	4.7	4.7	3.5	4.2	4.2	3.9	3.9	
	mm	120	120	90	106	106	99	99	
<b>1591GSBK</b>	inch	4.8	3.7	1.2	4.2	3.1	2.8	3.9	
	mm	121	94	30	106	79	73	100	
<b>1591DSBK</b>	inch	5.9	3.2	1.8	5.4	2.6	2.3	5.0	
	mm	150	80	46	136	66	59	129	
<b>1591HSBK</b>	inch	6.5	2.8	1.0	6.0	2.2	1.9	5.6	
	mm	165	71	25	153	56	50	144	
<b>1591ESBK</b>	inch	7.5	4.3	2.2	6.9	3.8	3.5	6.6	
	mm	191	110	57	176	96	89	170	

NOTES: - Assembled height = dimension "C" + 0.16" (4.0 mm)  
 - Average wall thickness: 0.08" (2.0 mm)

For detailed drawings, CAD files and color photos visit our website at: [www.hammondmg.com](http://www.hammondmg.com)



**CANADA**  
 Guelph, Ontario (519) 822-2960  
 St. Laurent, Quebec (514) 343-9010  
**USA**  
 Cheektowaga, NY (716) 651-0086

[www.hammondmg.com](http://www.hammondmg.com)

**EUROPE**  
 Basingstoke, UK +44 1256 812812

**AUSTRALASIA**  
 Queenstown, SA, Australia +61 8 8240 2244