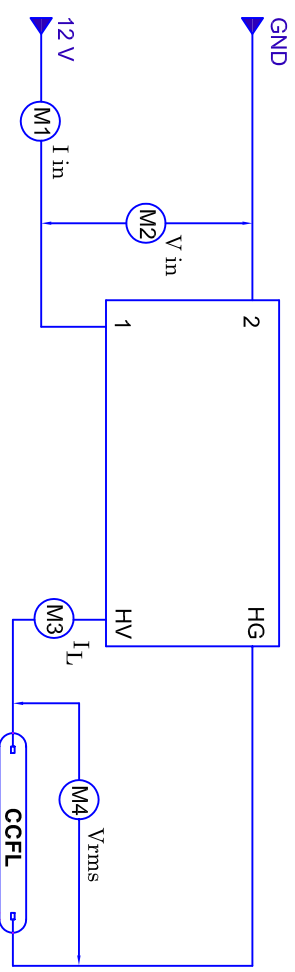
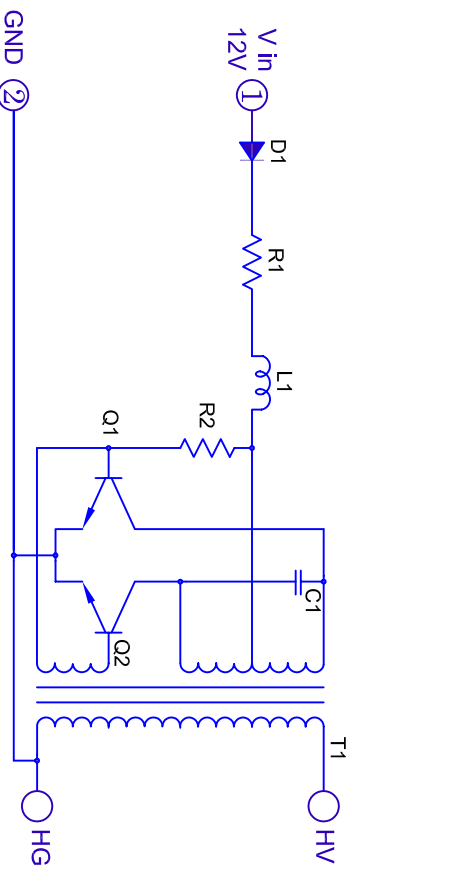
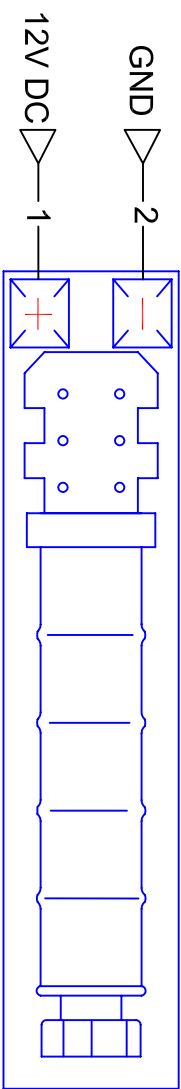


TOLERANCE	
L < 20	±0.2
20 ≤ L < 50	±0.3
50 ≤ L < 100	±0.4
100 ≤ L	±0.5

REV.	DESCRIPTION/ECO NO.	DATE
	RELEASED AS CAD DRW.	9/25/01
A	CHNG PER SUPPLIERS SPEC.	4/3/07

CHARACTERISTICS			
	MIN	TYP	MAX
INPUT VOLTAGE: (vdc)	10.8	12.0	15.0
INPUT CURRENT: (mA)	115	135	155
OUTPUT VOLTAGE: (Vrms)	-	800	-
OUTPUT CURRENT: (marms)	3.9	4.6	5.3
OUTPUT FREQUENCY: (KHz)	80	90	100
OPERATING TEMP: (CELSIUS)	0	25	50

BOARD PIN #	INPUT	
1	+V (V in)	M1 - INPUT CURRENT (I in)
2	V (GND)	M2 - INPUT VOLTAGE (V in)
HV	V OUT	M3 - OUTPUT CURRENT (I out)
HG	OUT GND	M4 - OUTPUT VOLTAGE (V out)



	METRIC	DIMENSIONS ARE IN MILLIMETERS	TITLE	
		TOLERANCE UNLESS OTHERWISE SPECIFIED 1 PL +/- 0.2 2 PL +/- ANGLE +/- 0	12V CCFL POWER SUPPLY	
DRAWN BY L. WENGSTROM	DATE 4/3/07	APPR'D BY L.R.	SIZE A	FCGM NO. 55335
- CAD DRAWING - MANUAL REVISIONS NOT PERMITTED		DATE 9/25/01	SCALE NONE	REV. NO. A
JKL COMPONENTS CORPORATION		DATE 4/3/07	REVISION	SHEET OF

NOTE: ROHS COMPLIANT