



PRODUCT DATASHEET

Tina series

last update 11/11/2016

DETAILS

Product Number	CA11848_TINA2-M
Family	Tina
Type	Assembly
Color	white
Diameter	16,1 mm
Height	10,1 mm
Style	round
Optic Material	PMMA
Holder Material	
Fastening	tape
Status	production ready
ROHS Compliant	Yes
Date Updated	11/11/2016



OPTICAL PROPERTIES

LED	Viewing Angle	Light Beam	Efficiency	cd/lm	Connector
Golden Dragon+	24 deg	Medium	91 %	3.390	-

D

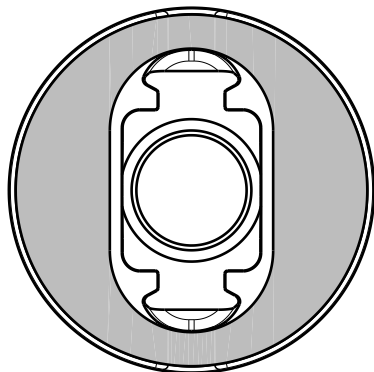
C

B

A

4

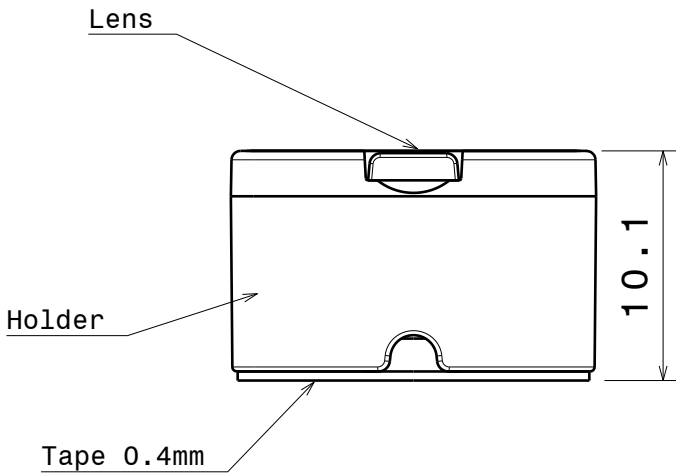
4



Bottom view

3

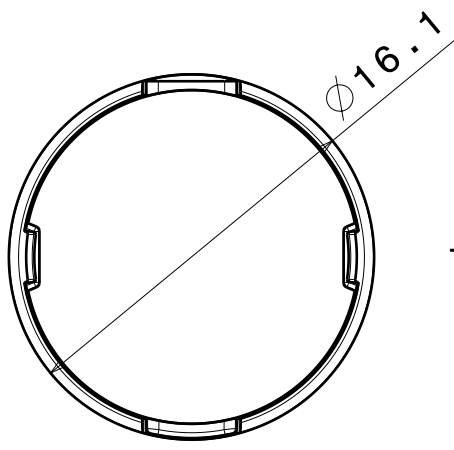
3



Front view

2

2



Top view

MATERIALS
 Lens: PMMA
 Holder: PC
 Tape: PU Foam

This drawing is our property.
 It can't be reproduced
 or communicated without
 our written agreement.



L T F F
 e e i n
 i i n

DRAWING TITLE

Datasheet Tina2-0-Plus Assy

DRAWN BY
m

DATE
29.04.2011

CHECKED BY
t k

DATE
29.04.2011

SIZE
A4

DRAWING NUMBER

REV
2

DESIGNED BY
HH

DATE
01.01.2011

SCALE 3:1

WEIGHT (g) -

SHEET 1/1

D

A

1

1

NOTE: The typical divergence will be changed by different color, chip size and chip position tolerance. The typical total divergence is the full angle measured where the luminous intensity is half of the peak value.