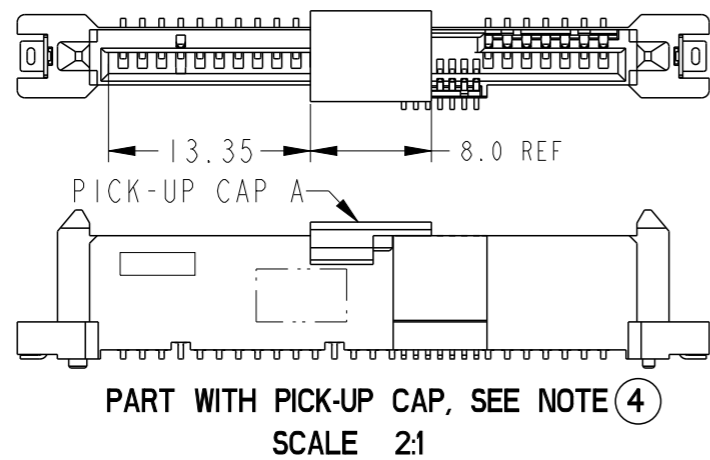
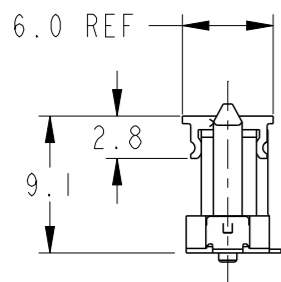
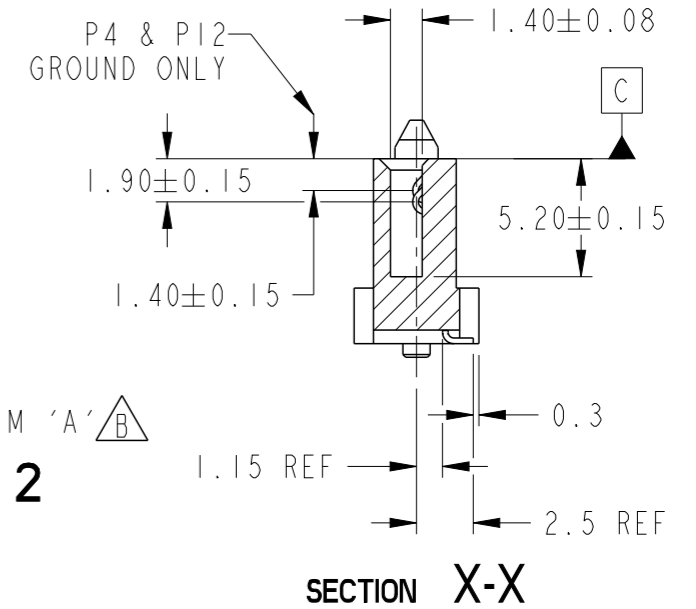
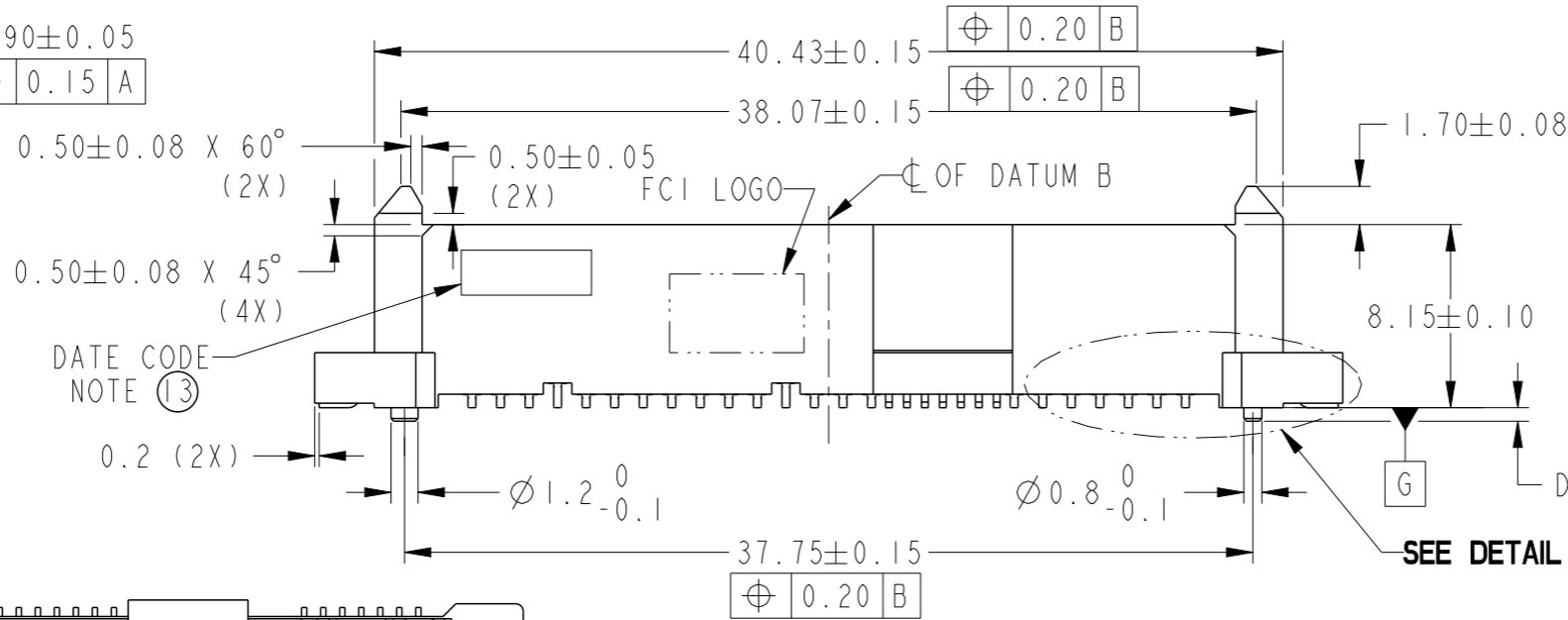
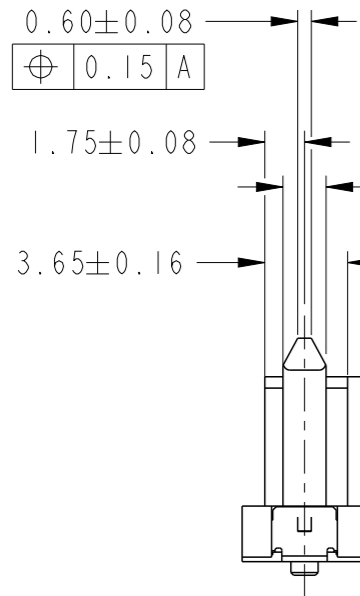
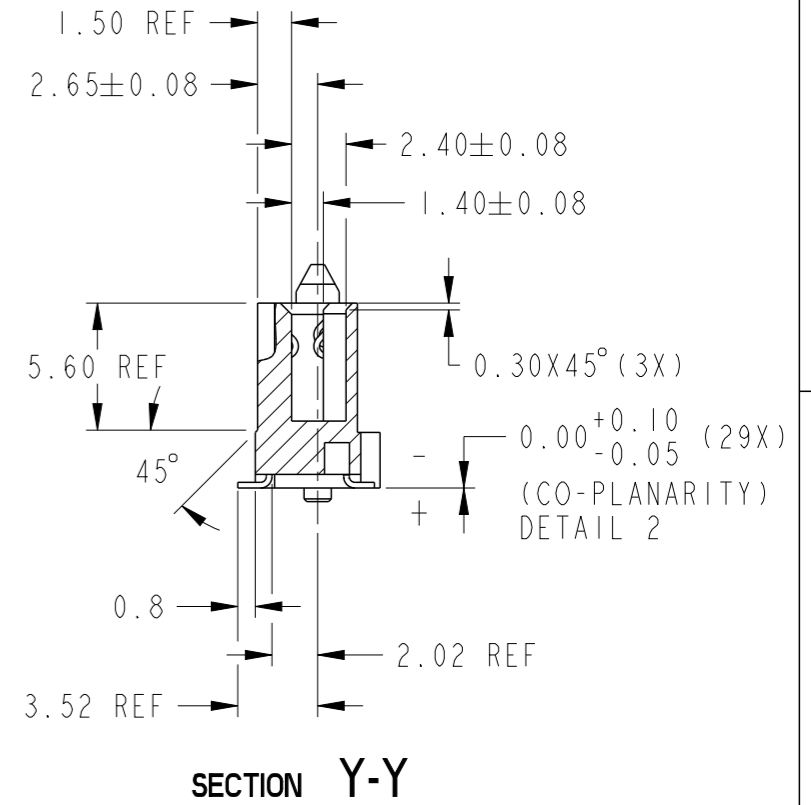
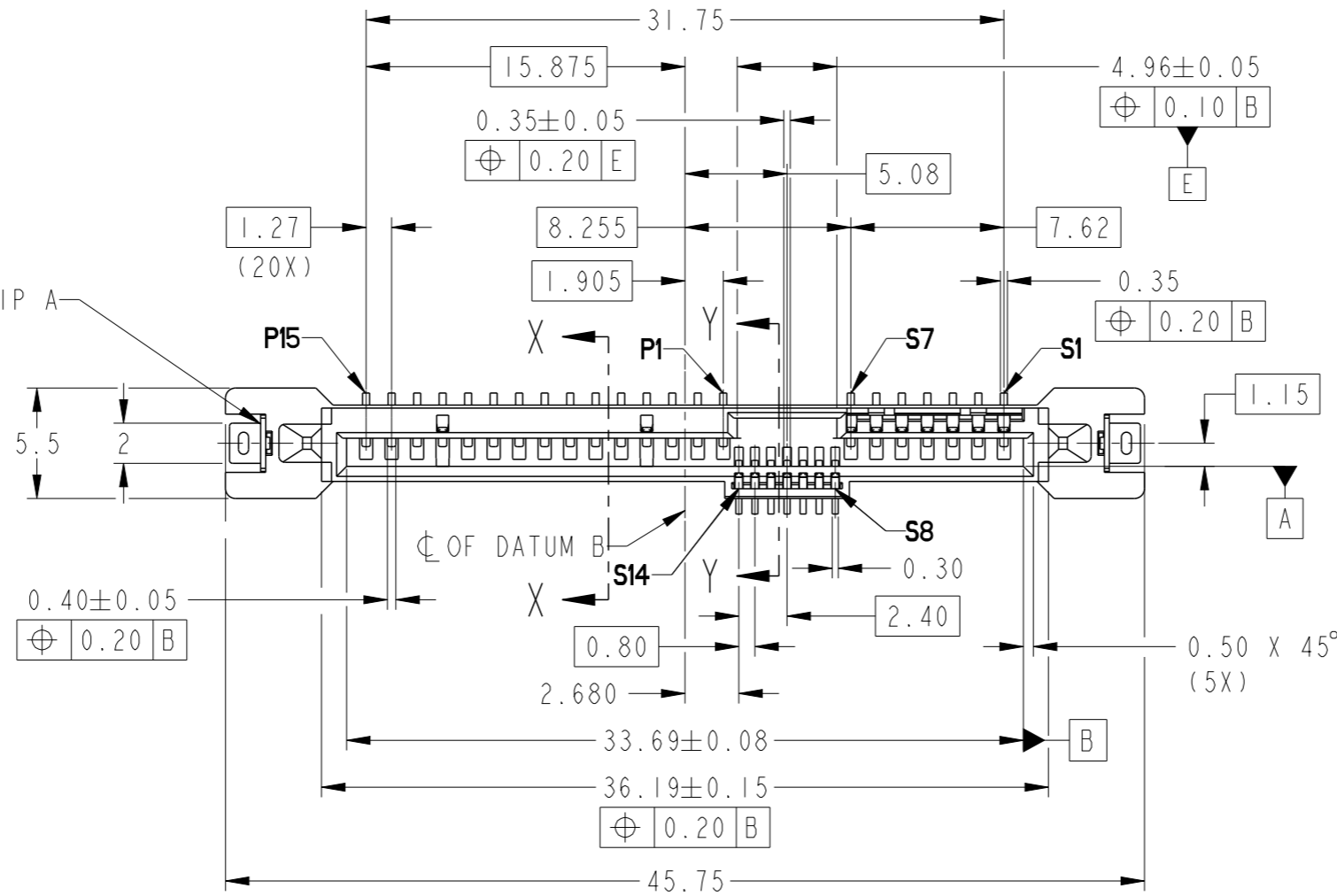


PRODUCT NUMBER
SEE TABLE

METAL CLIP A



spec ref	-	dr	M Srinivasan	2014/02/05	projection	mm	size	A3	scale	3:1	
tolerance std	ISO 406 ISO 1101	eng	Koon-Poh Tay	2016/05/05			ecn no	ELX-S-24012-1	rel level	Released	
TOLERANCES UNLESS OTHERWISE SPECIFIED		chr	-	app			Chen-Hong Tan	2016/05/27		product family	SAS
surface	linear	0.X	±	Amphenol FCI		SAS RECEPTACLE		dwg no	10125550	rev	B
		0.XX	±0.20	www.fci.com		VERTICAL SMT TYPE ASSY					
	angular	0°	±2°	cat. no.		-		Product - Customer Drw		sheet 1 of 5	

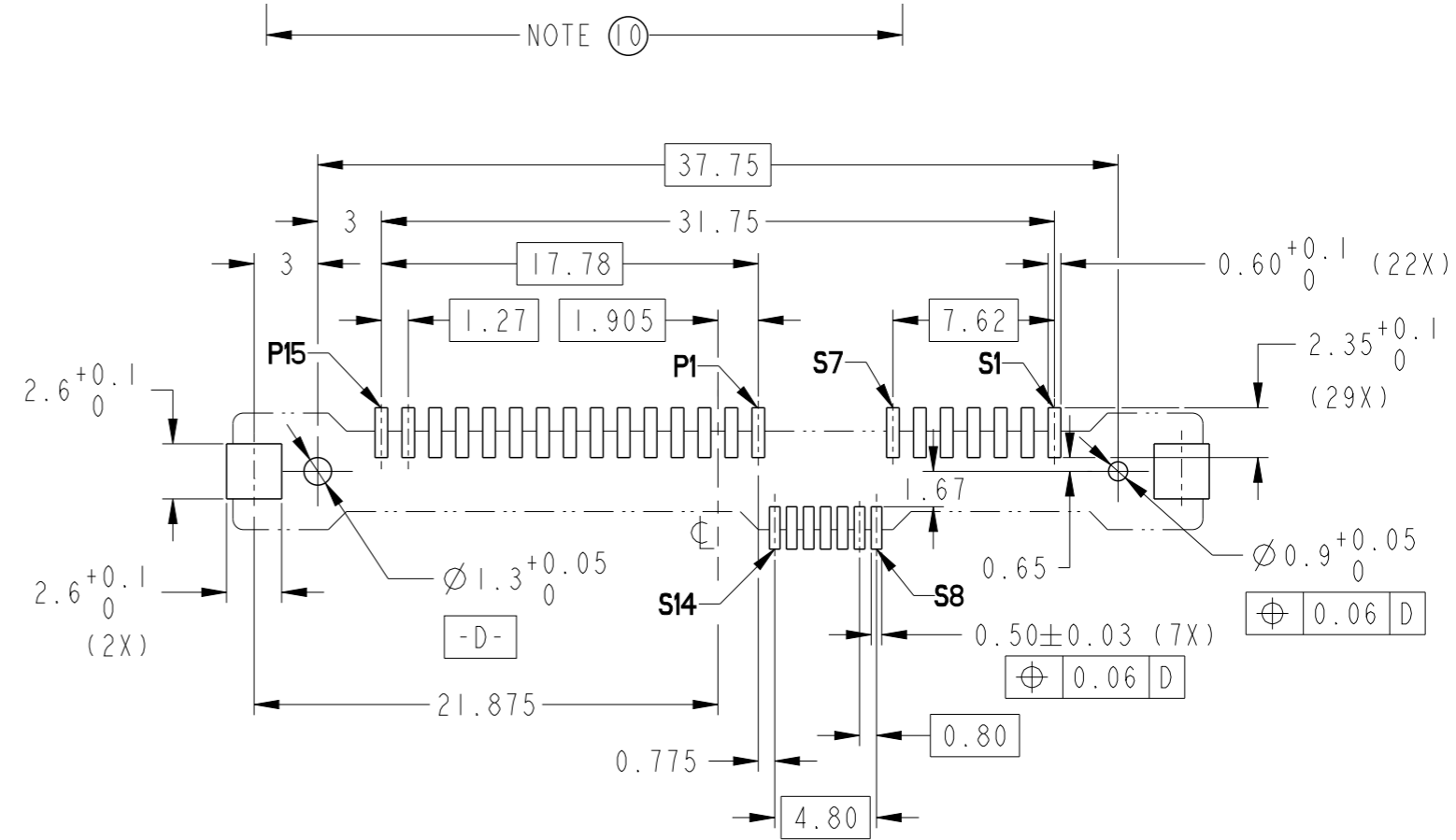
Amphenol FCI

© 2016 AFCI

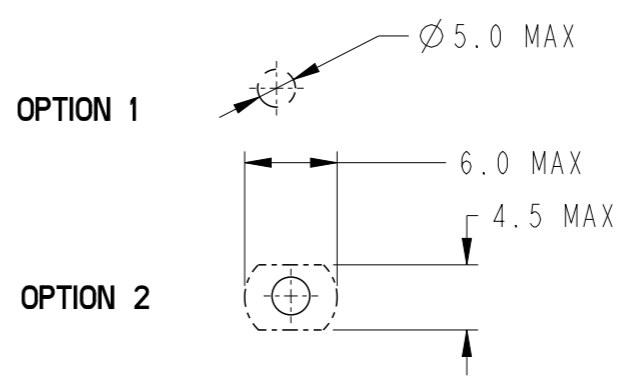
PRODUCT NUMBER	DIM 'A'	METAL CLIP A	PLATING	PICK-UP CAP A	PACKAGING	REMARKS	PRODUCT NUMBER	PLATING
10125550-001LF	1.0 △B	② PCS	NOTE 2	NO	TRAY	NOTE ⑧	10125550-401LF	NOTE ⑩
10125550-001CLF				YES		NOTE ④ & ⑧	10125550-401CLF	
10125550-001C-TRLF				YES	TAPE & REEL	NOTE ④ ⑥ & ⑧	10125550-401C-TRLF	

NOTES:

- MATERIAL :
1) HOUSING : HIGH TEMP THERMOPLASTIC, UL 94V-0
COLOR : BLACK
2) TERMINAL : COPPER ALLOY
3) HOLD DOWN : COPPER ALLOY
- FINISH :
1) TERMINAL : 30μ" Au PLATING (CONTACT POINT) OVER 50μ" NICKEL
2) SOLDER TAIL : 100μ" MIN Sn OVER 50μ" NICKEL
3) HOLD DOWN : 100μ" MIN Sn OVER 50μ" NICKEL
- PER SFF REV 1.1, EXCEPT 0.8mm PITCH BUMP AREA.
- PART WITH PICK-UP CAP, P/N XXXXXXXX-XXX_C LF.
- THE STD PACKAGING IS IN TRAY UNLESS OTHERWISE SPECIFIED.
- PART NUMBER WITH SUFFIX "-TR" MEANS FOR TAPE & REEL PACKAGING (E.G. P/N: XXXXXXXX-XXXC-TRLF).
- THE HOUSING WILL WITHSTAND EXPOSURE TO 260°C PEAK TEMPERATURE FOR 10 SECONDS IN A CONVECTION, INFRA-RED OR VAPOR PHASE REFLOW OVEN.
- THIS PRODUCT MEETS EUROPEAN UNION DIRECTIVES AND OTHER COUNTRY REGULATIONS AS DESCRIBED IN GS-47-0004.
- PART NUMBERS ENDING IN "LF" MEANS FOR NOTE 8 LEAD FREE IDENTIFICATION
- FINISH :
1) TERMINAL : 15μ" GXT PLATING (CONTACT POINT) OVER 50μ" NICKEL
2) SOLDER TAIL : 100μ" MIN Sn OVER 50μ" NICKEL
3) HOLD DOWN : 100μ" MIN Sn OVER 50μ" NICKEL
- A △B SYMBOL WILL BE NEXT TO ANY DIMENSION, VIEW, OR NOTE WHICH HAS BEEN MODIFIED WITH THE CURRENT DRAWING REVISION.
- THE FOOTPRINT IS SAME AS 10120818
- DATE CODE LOCATION. DATE CODE NO. YYMM (E.G. 14225)



RECOMMENDED PCB LAYOUT



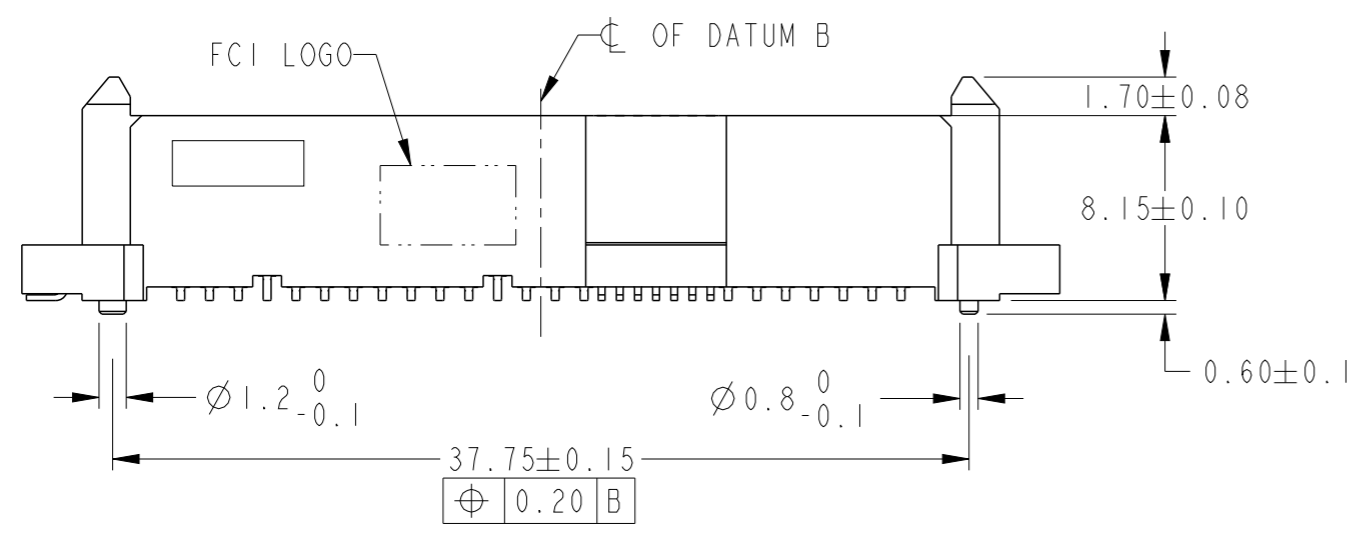
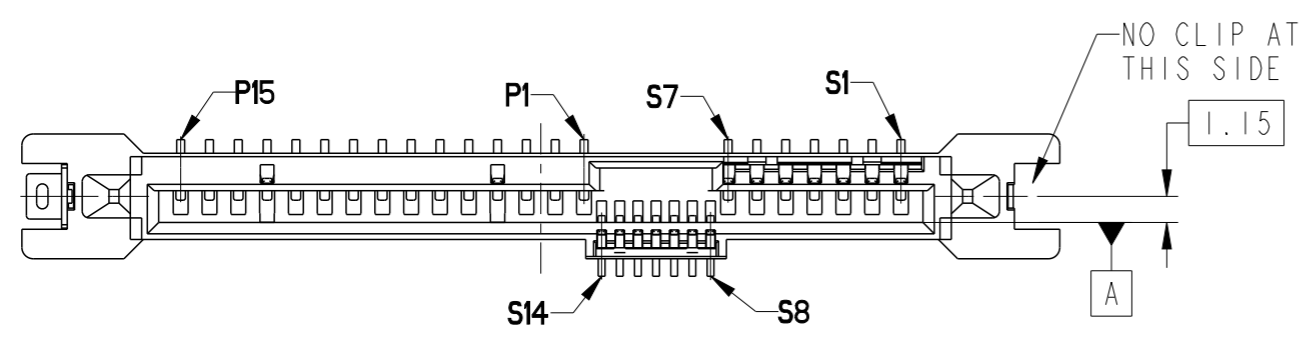
RECOMMENDED SUCTION HEAD SIZE

Amphenol FCI

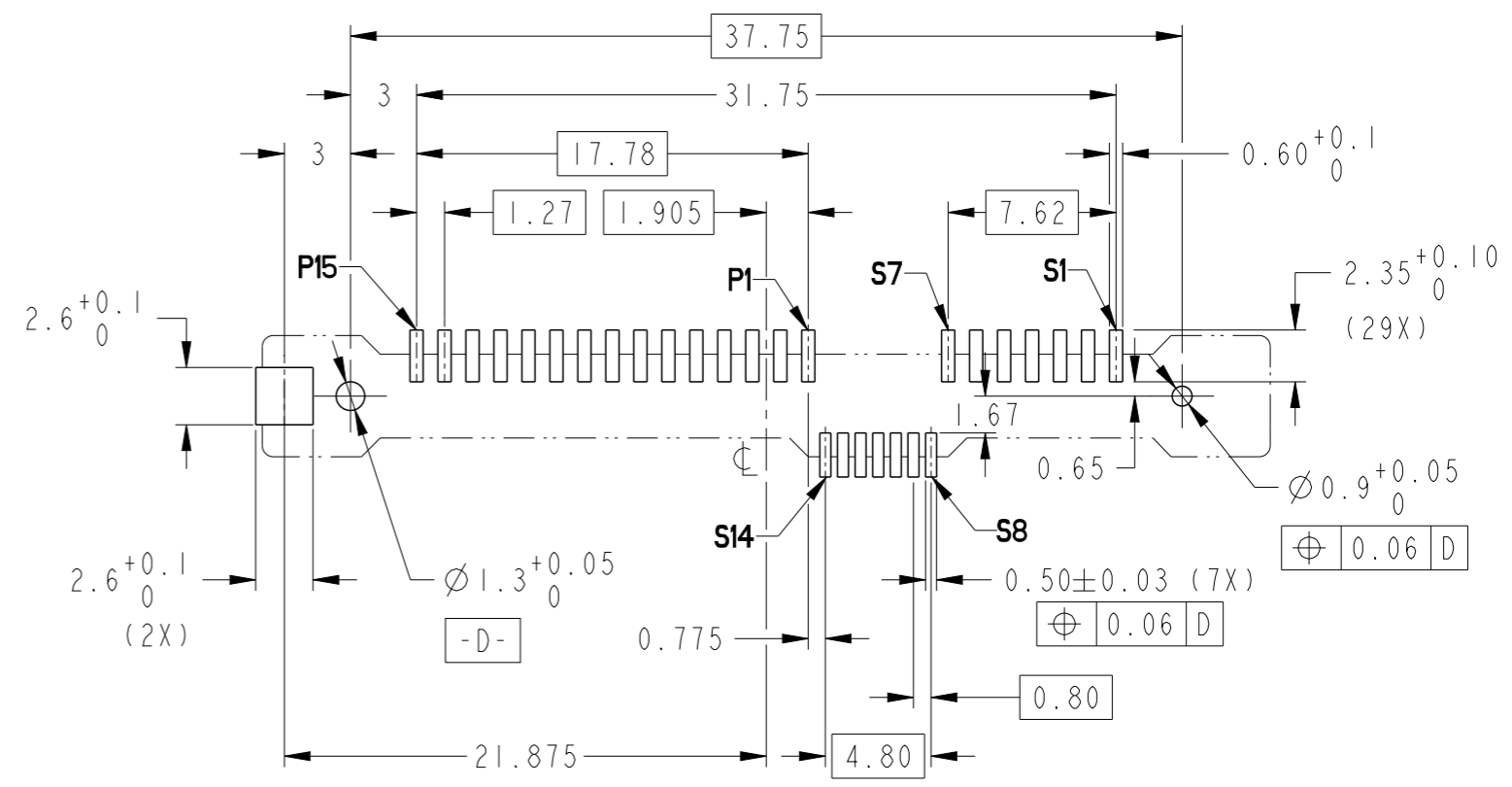
© 2016 AFCI

spec ref	-	dr	M Srinivasan	2014/02/05	projection	mm	size	A3	scale	3:1
tolerance std	ISO 406 ISO 1101	eng	Koon-Poh Tay	2016/05/05		mm	ecn no	ELX-S-24012-1	rel level	Released
TOLERANCES UNLESS OTHERWISE SPECIFIED		chr	-	-						
surface	linear	appr	Chen-Hong Tan	2016/05/27	product family	SAS	rel level	Released		
	angular									
	0.X									
	0.XX									
	0.XXX									
	0°									
	±-									
	±0.20									
	±-									
	±2°									
Amphenol FCI		SAS RECEPTACLE		SAS		10125550		rev		B
www.fci.com		VERTICAL SMT TYPE ASSY		cat. no.		-		Product - Customer Drw		sheet 2 of 5

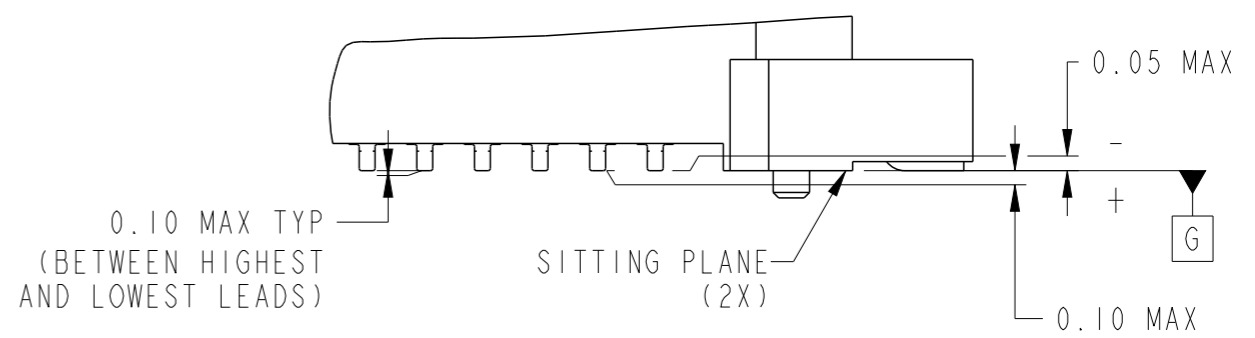
PRODUCT NUMBER	METAL CLIP A	PLATING	PICK-UP CAP A	PACKAGING	REMARKS	PRODUCT NUMBER	PLATING
10125550-002LF	1 PC	NOTE ②	NO	TRAY	NOTE ⑧	10125550-402LF	NOTE ⑩
10125550-002CLF			YES		NOTE ④ & ⑧	10125550-402CLF	
10125550-002C-TRLF			YES	TAPE & REEL	NOTE ④ ⑥ & ⑧	10125550-402C-TRLF	



ALL OTHER DIMENSIONS, REFER TO SHEET 1



RECOMMENDED PCB LAYOUT



DETAIL 2
SCALE 6:1

spec ref	-	dr	M Srinivasan	2014/02/05	projection	mm	size	A3	scale	3:1
tolerance std	ISO 406 ISO 1101	eng	Koon-Poh Tay	2016/05/05		← →	ecn no	ELX-S-24012-1		
TOLERANCES UNLESS OTHERWISE SPECIFIED		chr	-	-			product family	SAS	rel level	Released
surface	linear	0.X	± -	Amphenol FCI www.fci.com	SAS RECEPTACLE		SAS SAS SAS	10125550	rev	
		0.XX	± 0.20		VERTICAL SMT TYPE ASSY					B
	angular	0°	± 2°		cat. no. -				Product - Customer Drw	

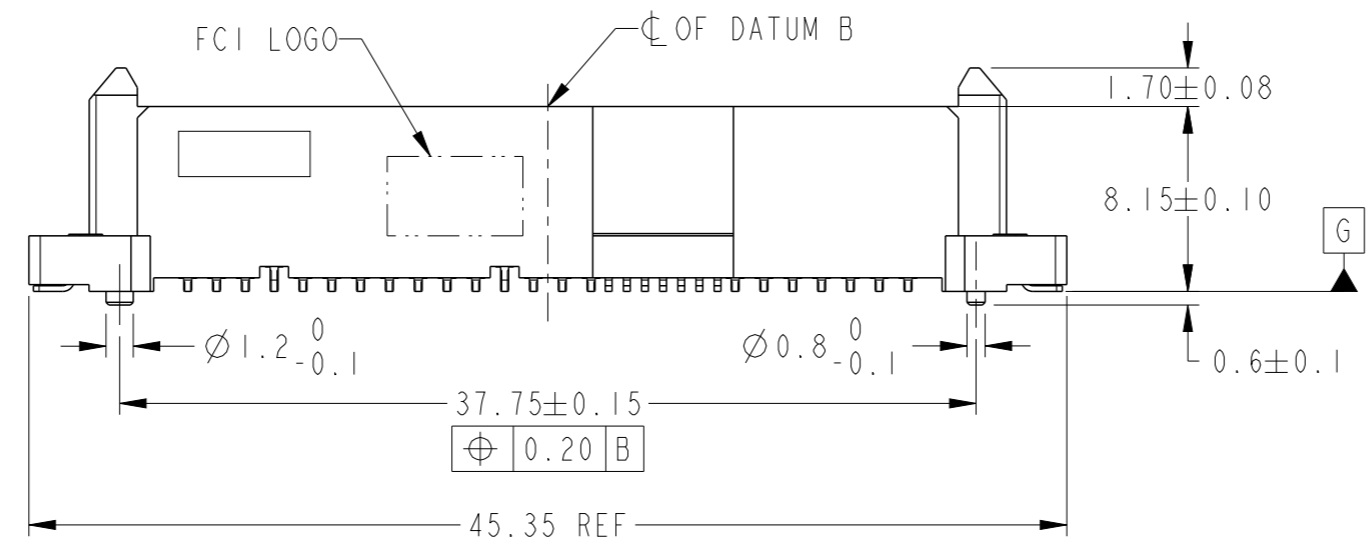
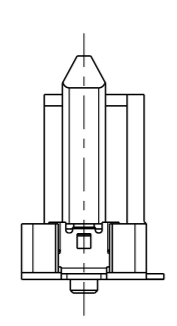
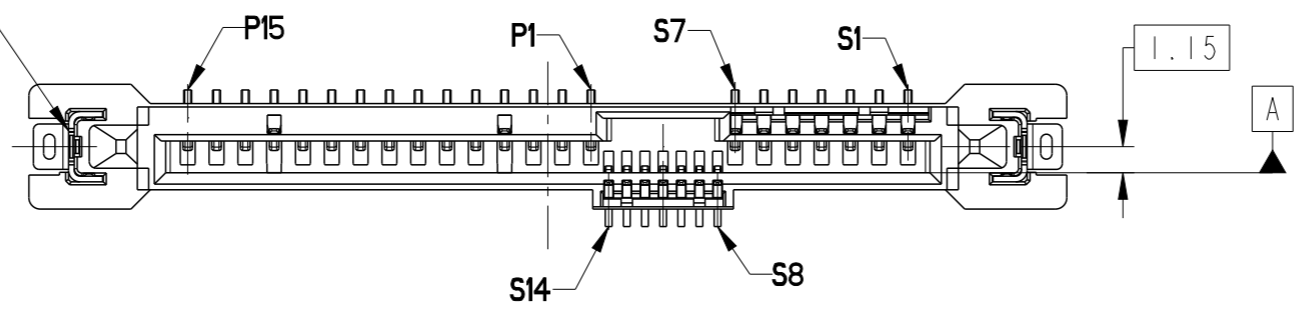
Amphenol FCI

© 2016 AFCI

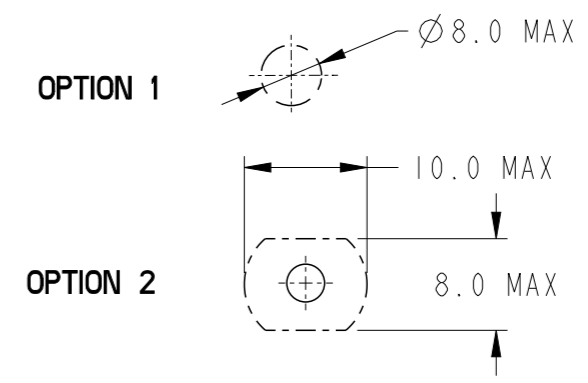
PRODUCT NUMBER	METAL CLIP B	PLATING	PICK-UP CAP B	PACKAGING	REMARKS	PRODUCT NUMBER	PLATING
10125550-003LF	2 PCS	NOTE ②	NO	TRAY	NOTE ⑧	10125550-403LF	NOTE ⑩
10125550-003CLF			YES		NOTE ④ & ⑧	10125550-403CLF	
10125550-003C-TRLF			YES	TAPE & REEL	NOTE ④ ⑥ & ⑧	10125550-403C-TRLF	

NOTE ⑩

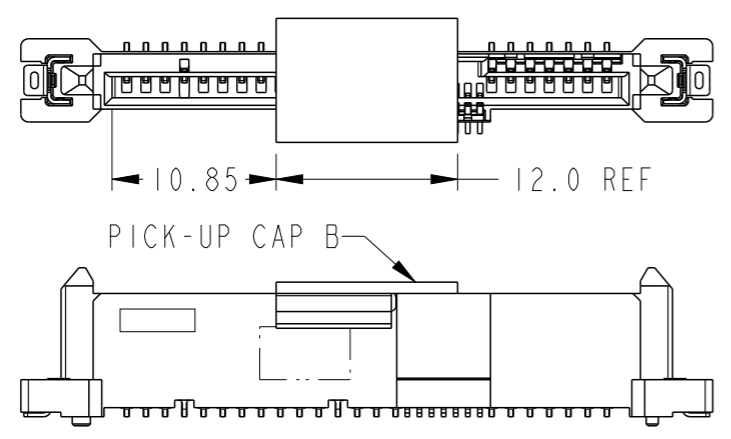
METAL CLIP B
(WITH FLANGES)



ALL OTHER DIMENSIONS AND PCB LAYOUT, REFER TO -001LF



RECOMMENDED SUCTION HEAD SIZE



PART WITH PICK-UP CAP, SEE NOTE ④
SCALE 2:1

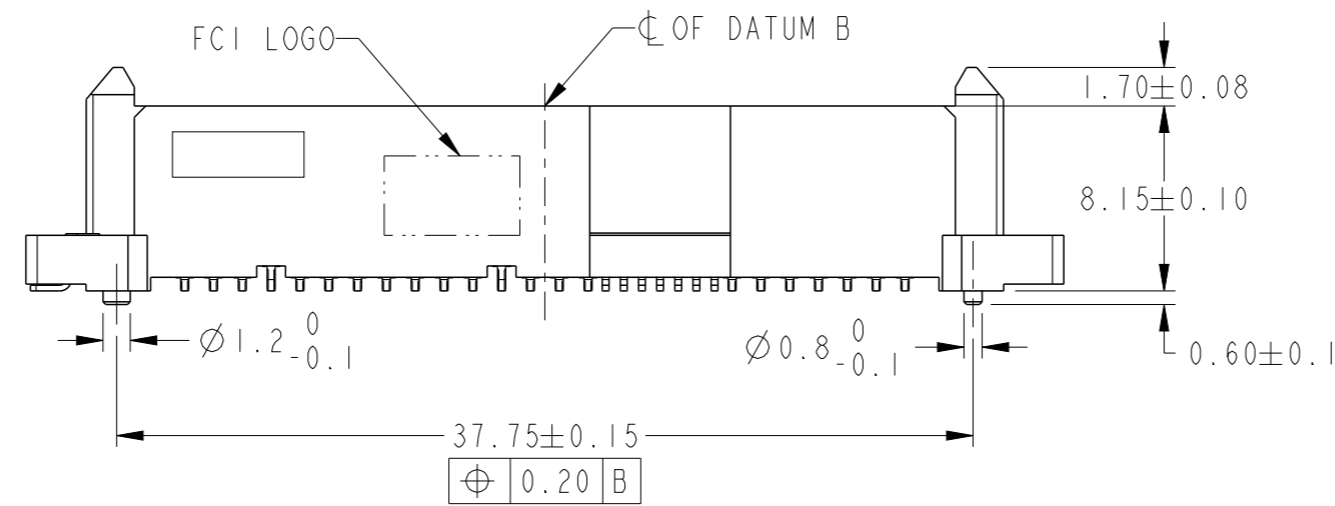
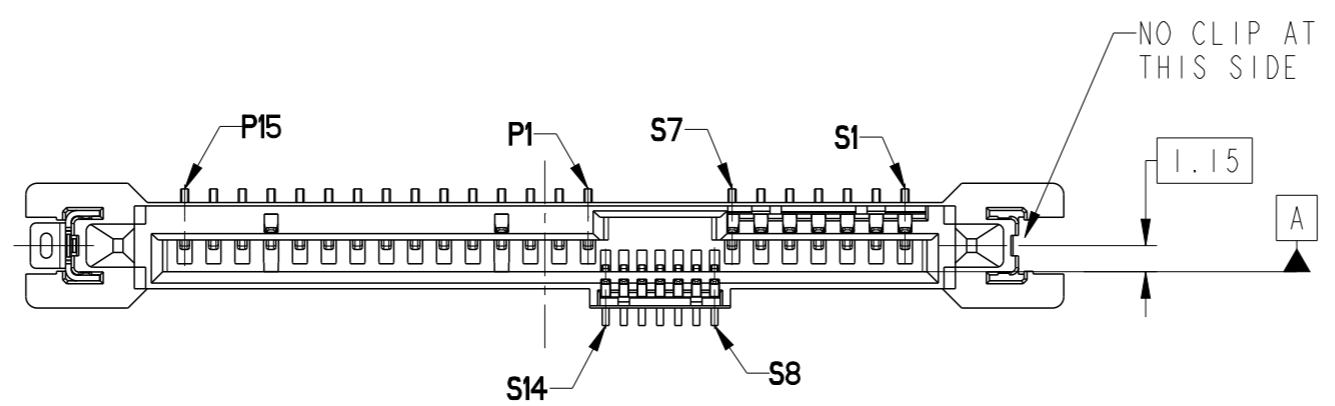
spec ref	-	dr	M Srinivasan	2014/02/05
tolerance std	ISO 406 ISO 1101	eng	Koon-Poh Tay	2016/05/05
	TOLERANCES UNLESS OTHERWISE SPECIFIED	chr	-	-
		appr	Chen-Hong Tan	2016/05/27
surface	linear	0.X	±	
		0.XX	±0.20	
		0.XXX	±	
	angular	0°	±2°	

projection	mm	size	A3	scale	3:1
product family	SAS	ecn no	ELX-S-24012-1	rel level	Released
Amphenol FCI	SAS RECEPTACLE	dwg no	10125550	rev	B
www.fci.com	VERTICAL SMT TYPE ASSY	cat. no.	-	Product - Customer Drw	sheet 4 of 5

Amphenol
FCi

© 2016 AFCI

PRODUCT NUMBER	METAL CLIP B	PLATING	PICK-UP CAP B	PACKAGING	REMARKS	PRODUCT NUMBER	PLATING
10125550-004LF	1 PC	NOTE ②	NO	TRAY	NOTE ⑧	10125550-404LF	NOTE ⑩
10125550-004CLF			YES		NOTE ④ & ⑧	10125550-404CLF	
10125550-004C-TRLF			YES	TAPE & REEL	NOTE ④ ⑥ & ⑧	10125550-404C-TRLF	



ALL OTHER DIMENSIONS AND PCB LAYOUT, REFER TO -002LF

Amphenol
FCi

© 2016 AFCI

spec ref	-	dr	M Srinivasan	2014/02/05	projection	mm	size	A3	scale	3:1
tolerance std	ISO 406 ISO 1101	eng	Koon-Poh Tay	2016/05/05			ecn no	ELX-S-24012-1		
TOLERANCES UNLESS OTHERWISE SPECIFIED		chr	-	-			product family	SAS	rel level	Released
surface	<input checked="" type="checkbox"/> linear <input type="checkbox"/> angular	0.X ± - 0.XX ±0.20 0.XXX ± - ISO 1302 0° ±2°	Amphenol FCI SAS RECEPTACLE VERTICAL SMT TYPE ASSY www.fci.com		cat. no.	-	Product - Customer Drw	sheet 5 of 5	rev B	