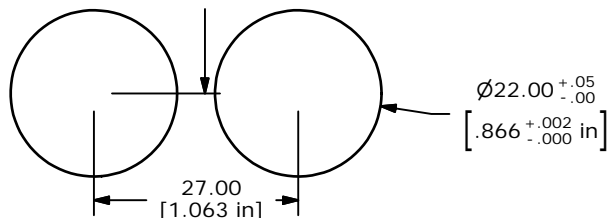
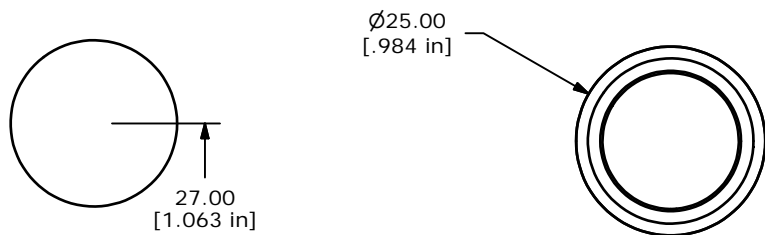
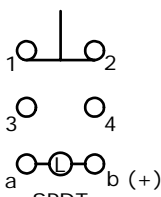


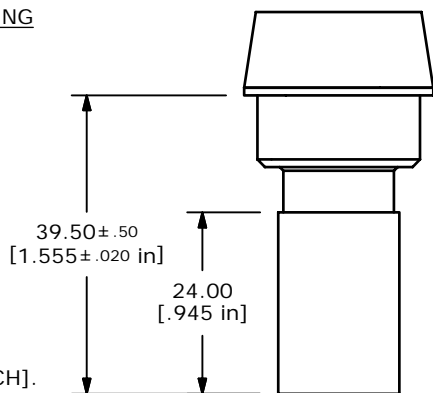
ITEM	QTY	PART NUMBER	DESCRIPTION
1	1	F060621	LAKOAV11
2	1	F051601	P16 PLASTIC TERM. PROTECTOR
3	1	F050405	28V AC/DC INCANDESCENT
4	1	F051702	25MM RING
5	1	F061254	25MM GRN LENS



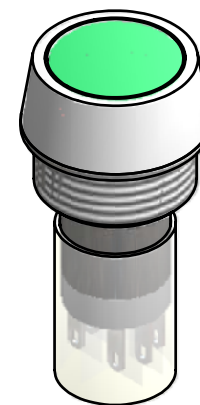
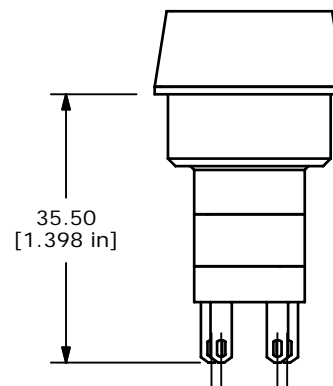
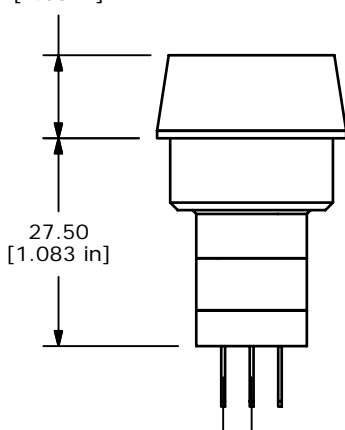
RECOMMEND PANEL MOUNTING



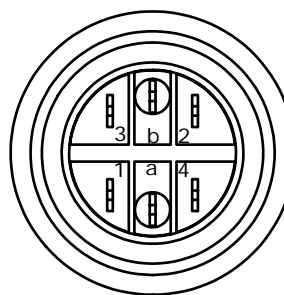
SPDT CONTACT CONFIGURATION



11.00 [0.433 in]



ISOMETRIC



- NOTES:
- ALL DIMENSIONS IN MM [INCH].
  - GENERAL TOLERANCE: 0.0±0.4  
0.00±0.25
  - TERM. NOS. FOR REF. ONLY.
  - RATING: 5A @250VAC  
8A @125VAC  
.2A @250VDC  
6A @24VDC
  - ELECTRIC LIFE: 50,000 MAKE-OR-BREAK CYCLES AT FULL LOAD.
  - INSULATION: 1,000 MΩ MIN.
  - DIELECTRIC STRENGTH: 2000V FOR 1 MIN
  - OPERATING TEMP: -25°C TO 55°C
  - LENS COLOR: GREEN
  - LAMP VOLTAGE: 28V AC/DC

**E-SWITCH®**

A	16540	RELEASED FOR PRODUCTION	10/18/2006	TN
REV	PCR NO	DESCRIPTION	DATE	BY

TITLE LAKOAV11CGRN				
SCALE	DATE	DR	DWG	REV
1:1	10/18/2006	TN	XF0691P	A

THE INFORMATION CONTAINED IN THIS DOCUMENT IS PROPRIETARY TO E-SWITCH AND IS NOT TO BE COPIED OR TRANSFERRED