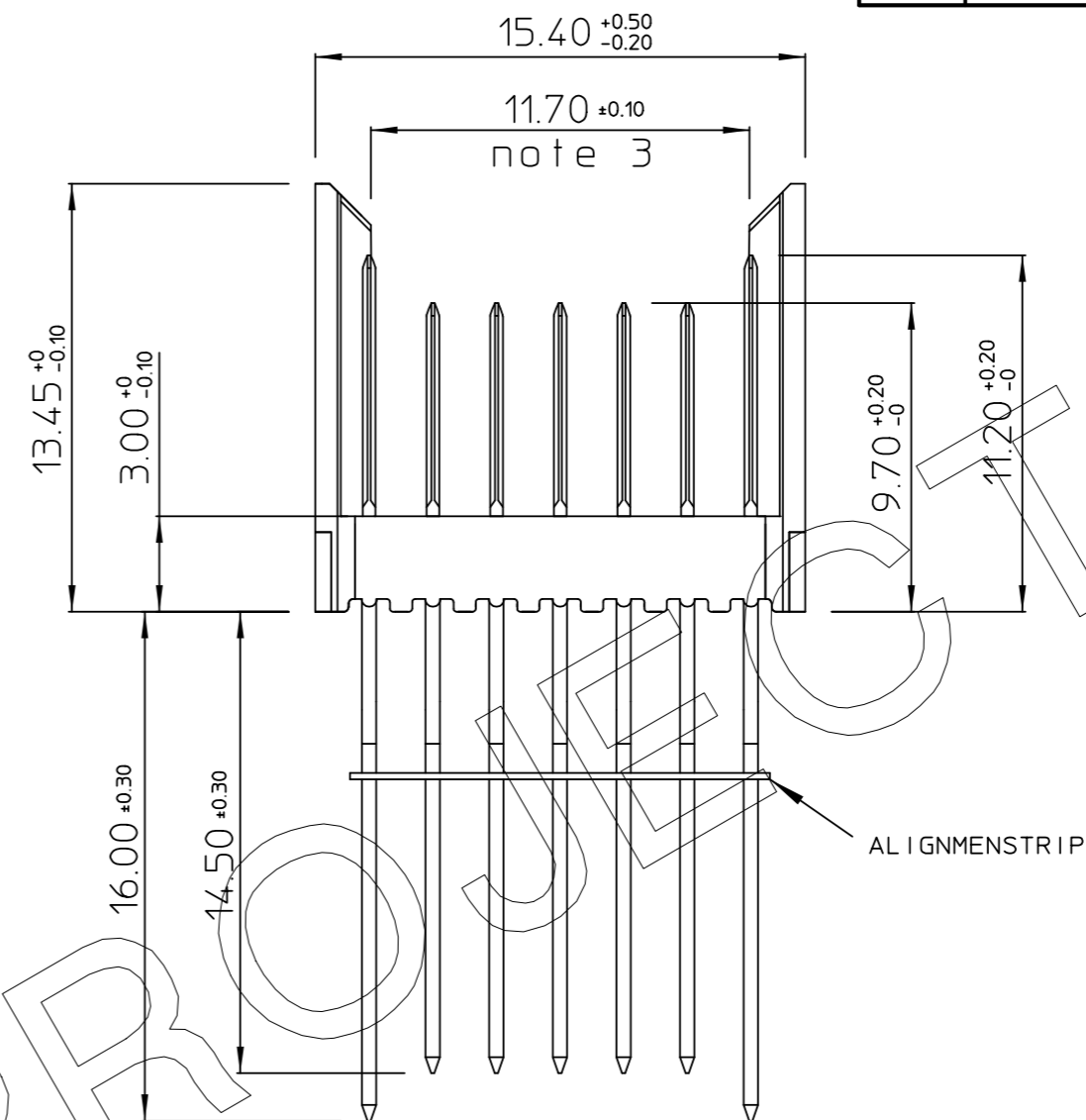
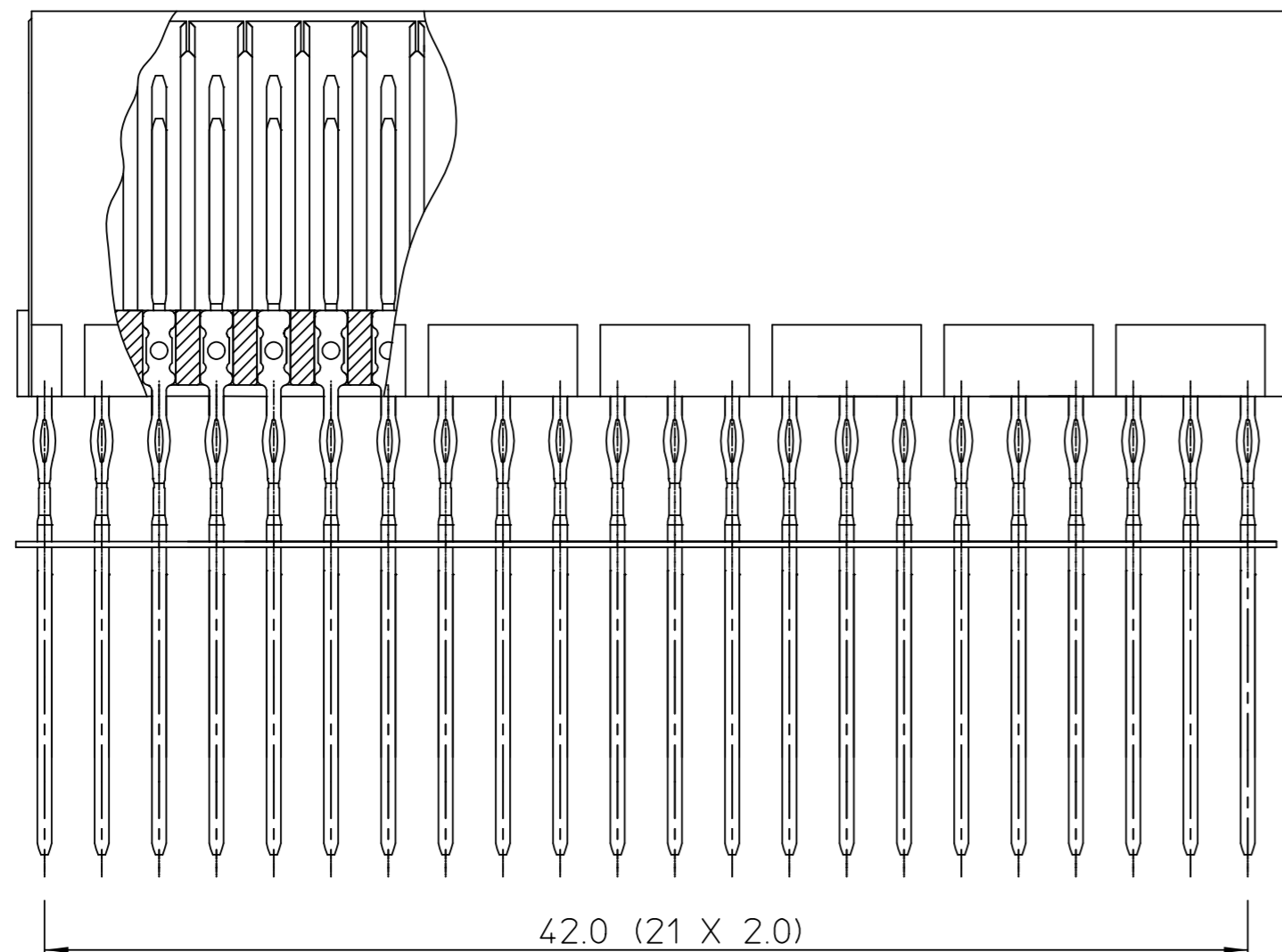


GEN. ST.	01	02	03	04	05	06	07	08	0D	50	60	70	80	90																	
INT. ST.	10	11	12	13	14	18	20	31	32	33	34	38	39	40	42	43	44	45	46	48	56	70	72	73	75	76	81	82	83	84	88

REV.	DATE	DESCRIPTION	BY	C'K'D'
A	14-09-01	CONVERSION REVISION 03	KN	

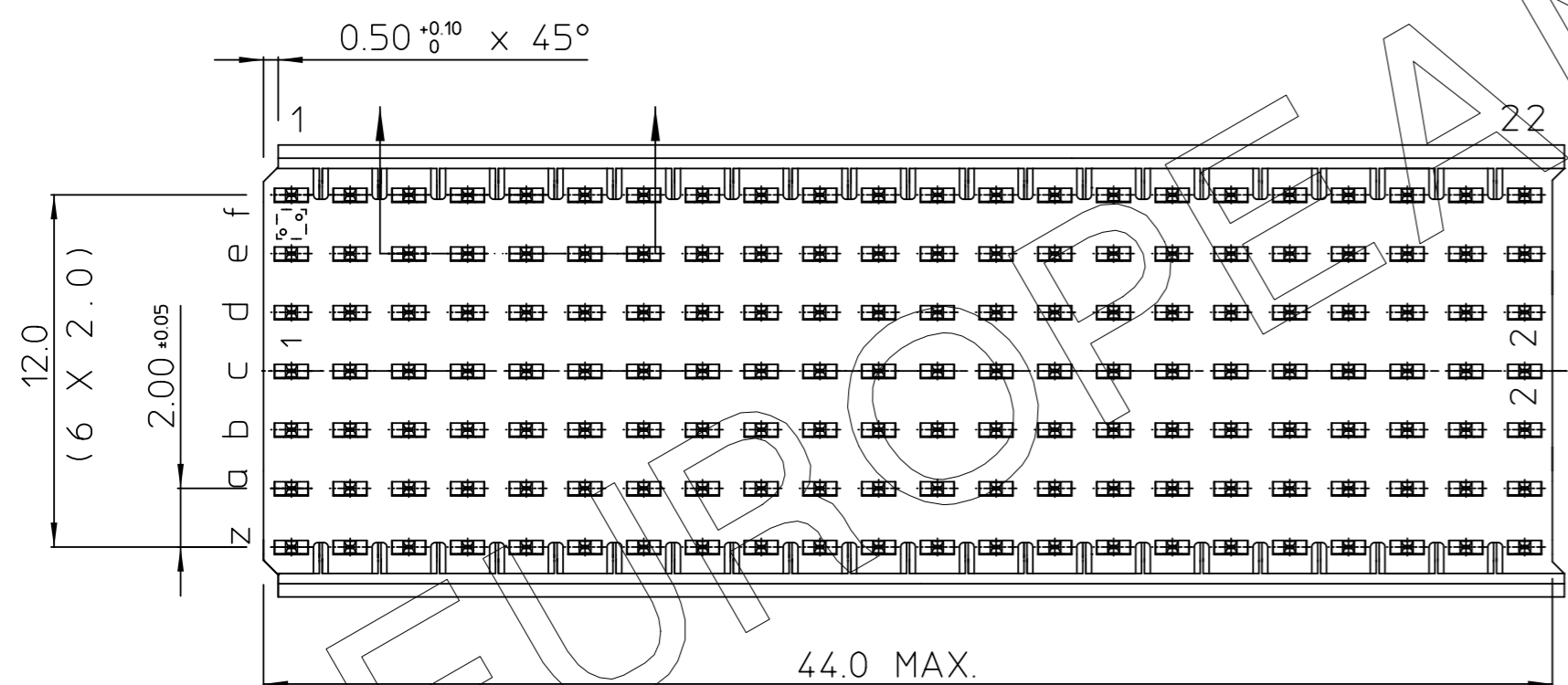


PERFORMANCE CHARACTERISTICS

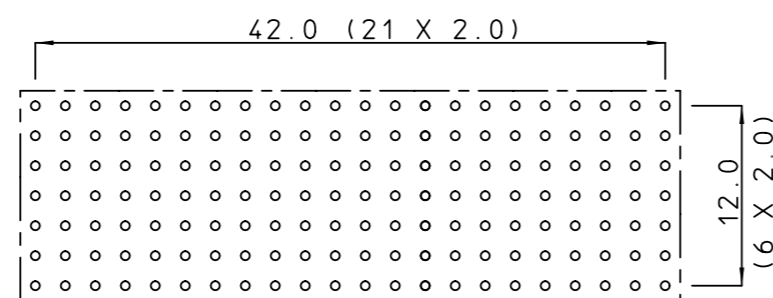
CURRENT RATING : 1.5 A AT 20°C (FULLY LOADED)
 1 A AT 70°C (FULLY LOADED)
 RATED VOLTAGE : 500 V AC (CONT / CONT)
 OPERATING TEMPERATURE : -55°C TO 125°C
 CONTACT RESISTANCE : 20 mΩ MAX
 INSERTION FORCE : 0.75 N MAX / CONT
 EXTRACTION FORCE : 0.15 N MIN / CONT
 INSULATION RESISTANCE : 10⁴ MΩ MIN

NOTES

- "--" PERFORMANCE LEVEL INDICATION: Z1= PL3 (SHORT) GC= PL3 (REAR PLUG-UP)
 (SEE CAT.NR.) N9= PL2 GF= PL2
 E9= PL1 GL= PL1
- THIS PRODUCT IS CSA APPROVED
 THIS PRODUCT IS UL RECOGNIZED
- MEASURED AT THE BOTTOM.



LAY-OUT
P.C.B. - HOLE



THIS IS OUR EXCLUSIVE PROPERTY. IT IS NOT TO BE COPIED, REPRINTED OR DISCLOSED TO A THIRD PARTY, NOR USED FOR MANUFACTURING WITHOUT OUR WRITTEN CONSENT, AND HAS TO BE RETURNED TO US IN CASE OF NO USAGE

DIT IS ONZE EIGENDOM EN MAG NOCH NAGEMAAKT, HERDRUKT, OVERGEMAAKT AAN DERDEN, NOCH VOOR FABRIKATIE GEBRUIKT WORDEN, ZONDER ONZE SCHRIFTELIJKE TOELATING. BIJ NIET GEBRUIK IS TERUGZENDING VERPLICHT.

MALE SIGNAL STRAIGHT PRESS-FIT-TO-BOARD CONNECTOR
WITHOUT SERVICECENTER

1DEC ±0,2 1DEC 2DEC ±0,1 2DEC ANGLES ±1° HOEKEN	APPR.	DATE	SIGN.	MILLIPACS 2 / TYPE B / SHIELDED (22 POS)
WE RESERVE THE RIGHT TO CHANGE DIMENSIONS OR REQUIREMENTS WITHOUT PRIOR NOTICE.	DRAFT	15-05-97	M. FRET	CAT. No. HM2P70PME 124 --
ALL DIMENSIONS IN MM	PROD. MGR.			FCI MECHELEN N.V. A. SPINOYSTRAAAT 8, 2800 MECHELEN
	PR. ENG. MGR.			
ALLE AFMETINGEN IN MM	PR. MGT. MGR.			REFERENCES / REFERENTIES
				BS,C , 201445, 015
				DRAWING No. CUSTOMER DRAWING
				REVISION A