



# PRODUCT DATASHEET

## Lenina series

last update 31/10/2016

### DETAILS

<b>Product Number</b>	CN12966_LENINA-XW
<b>Family</b>	Lenina
<b>Type</b>	RefPack
<b>Color</b>	white
<b>Diameter</b>	74 mm
<b>Height</b>	46,5 mm
<b>Style</b>	round
<b>Optic Material</b>	
<b>Holder Material</b>	
<b>Fastening</b>	screw, socket
<b>Status</b>	production ready
<b>ROHS Compliant</b>	Yes
<b>Date Updated</b>	31/10/2016

### OPTICAL PROPERTIES

LED	Viewing Angle	Light Beam	Efficiency	cd/lm	Connector
LUXEON K12	72 deg	WWW-class	90 %	0.700	-
LUXEON K16	72 deg	WWW-class	86 %	0.640	-



D

C

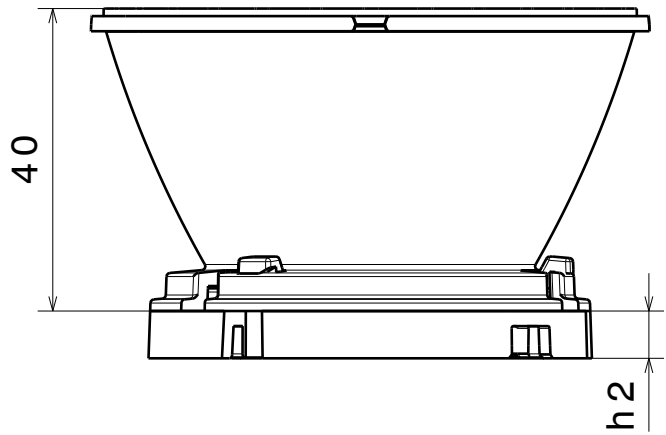
B

A

4

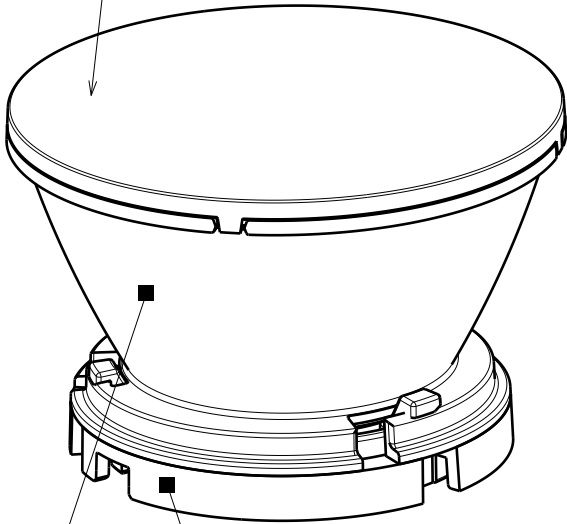
4

Material of optional sublens: PC, clear



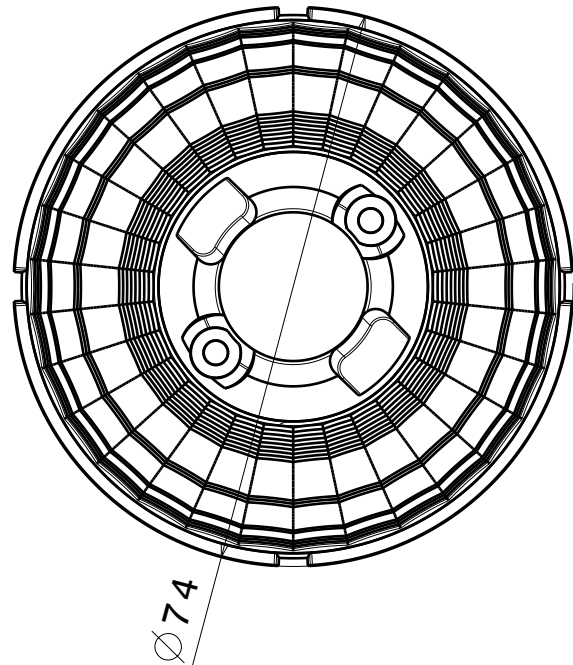
3

3



Base material PC, white

Reflector material PC



2

2

NOTE:

Using optional sublens, add 2.1mm to the system height

Dimension 'h2' varies from 4.5mm to 7mm depending on the LED specific base part

This drawing is our property. It can't be reproduced or communicated without our written agreement.



Ledil Oy  
Salorankatu 10  
FIN-24240 SALO  
Finland

DRAWING TITLE

Datasheet Lenina series

1

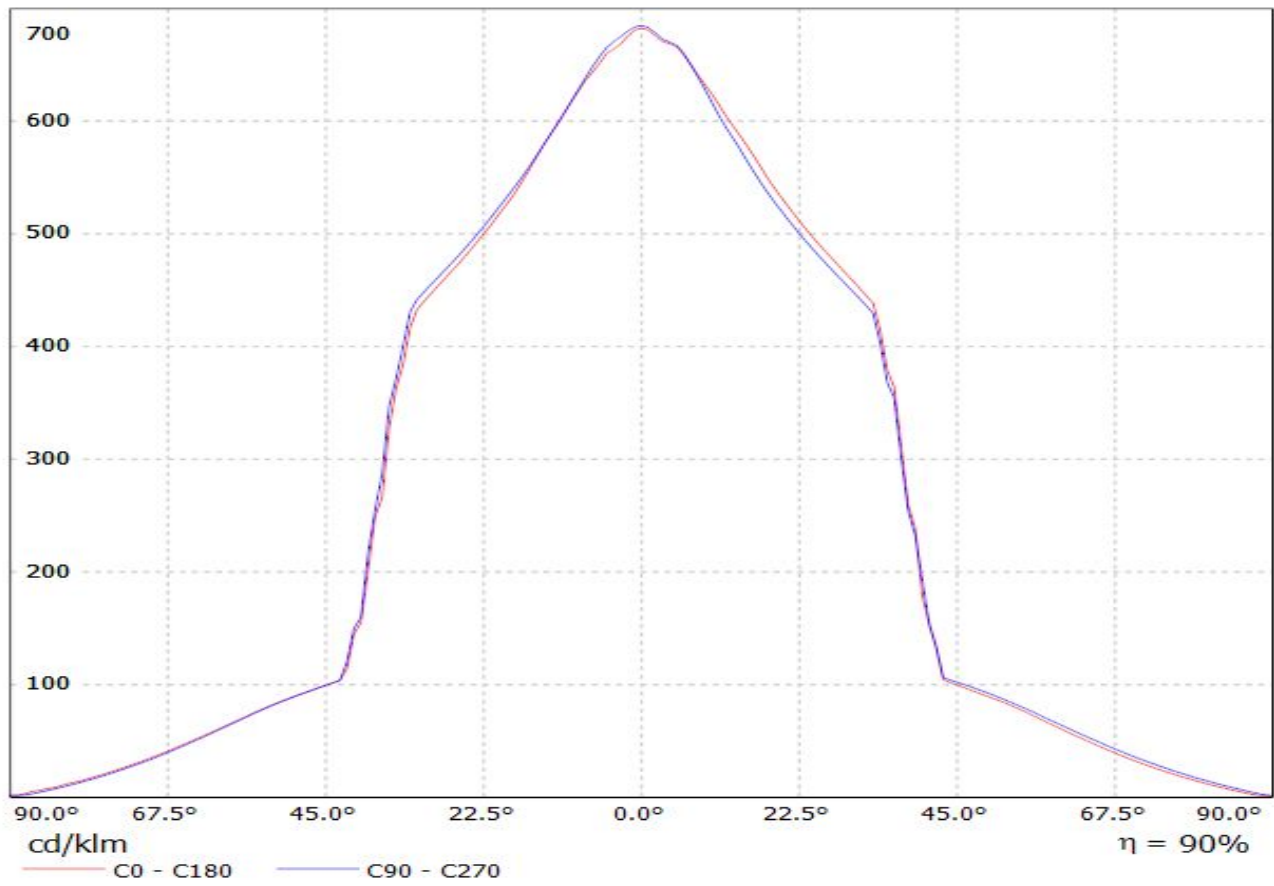
1

DRAWN BY ks		DATE 23.04.2014		DRAWING TITLE Datasheet Lenina series				
CHECKED BY		DATE		SIZE A4		DRAWING NUMBER --		REV 1
DESIGNED BY pl		DATE 08.03.2012		SCALE 1:1		WEIGHT (g)		SHEET 1/1

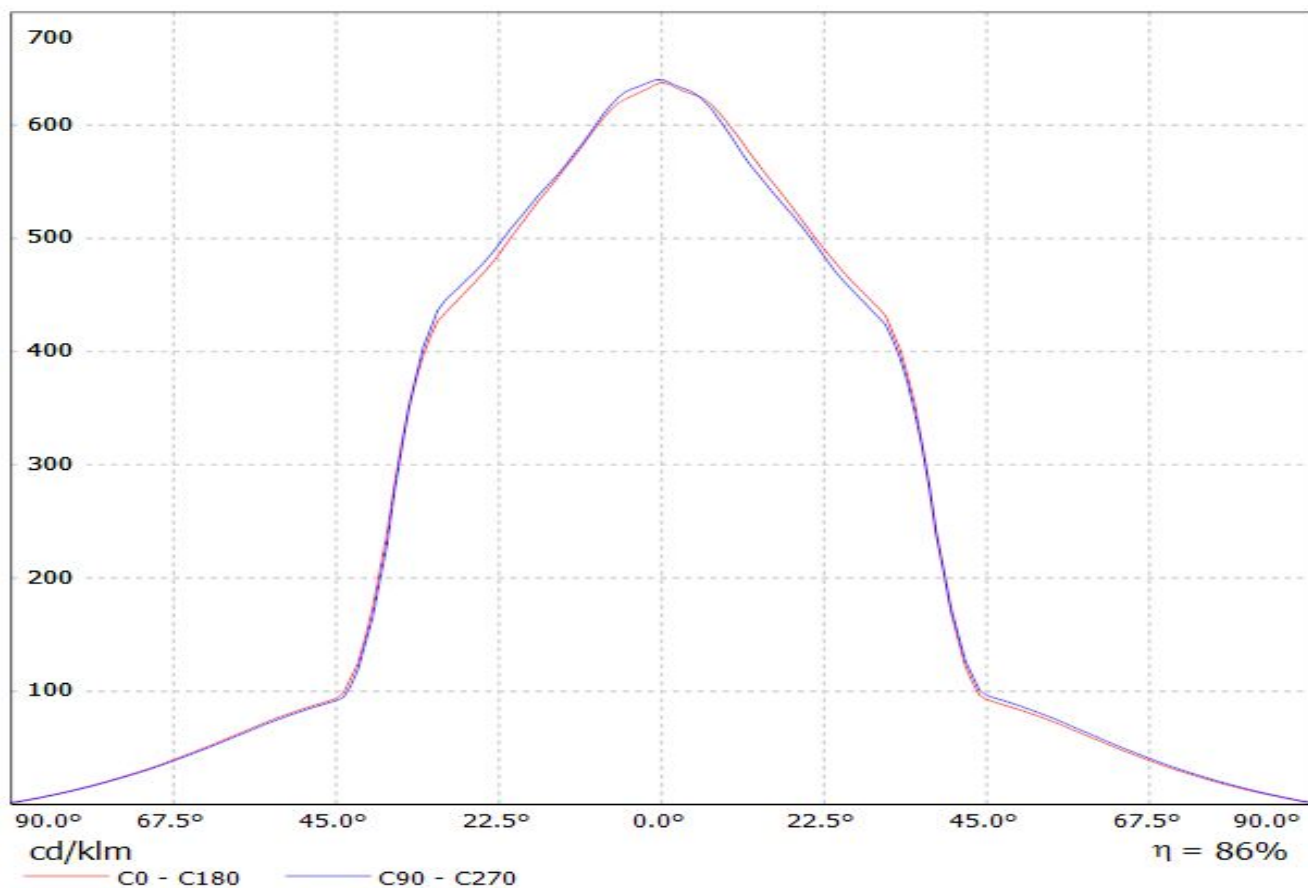
D

A

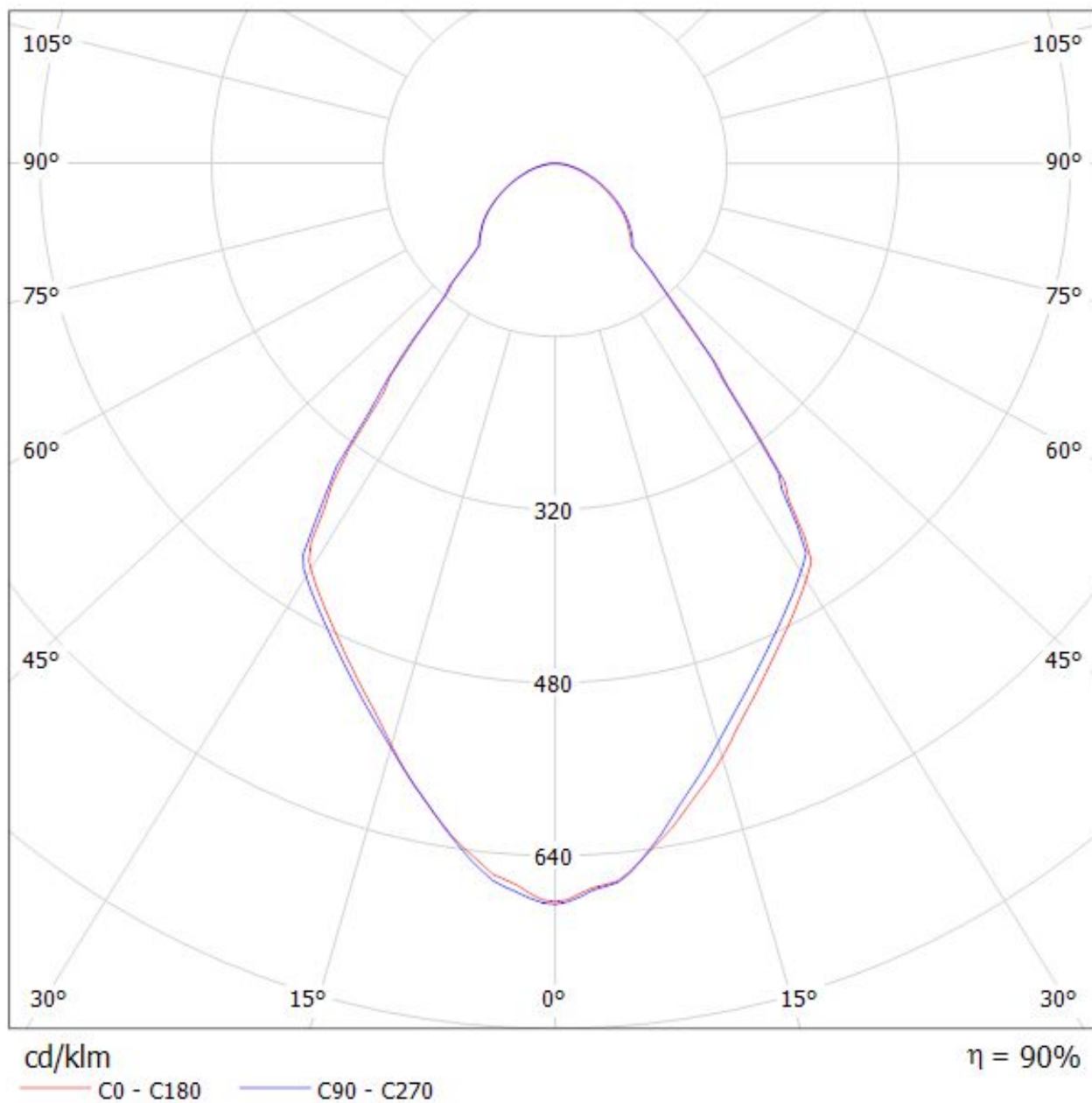
Luminaire: LEDiL Oy CN12966\_LENINA-XW\_(Luxeon\_K12) Eff.89.5%  
Lamps: 1 x Luxeon K12 (808.51lm@250mA)



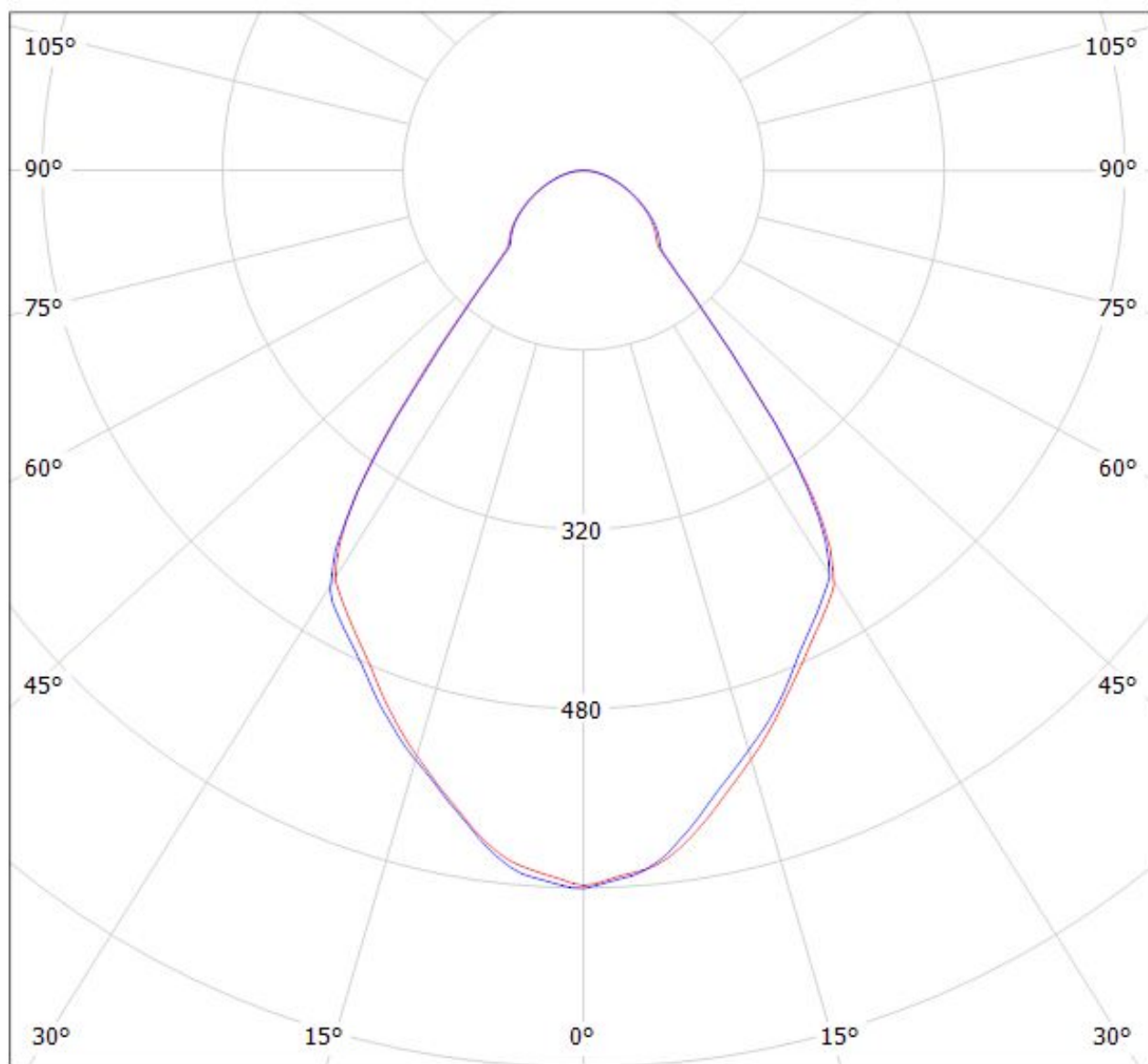
Luminaire: LEDiL Oy CN12966\_LENINA-XW\_(Luxeon\_K16) Eff.85.6%  
Lamps: 1 x Luxeon\_K16 (1208.05lm@250mA)



Luminaire: LEDiL Oy CN12966\_LENINA-XW\_(Luxeon\_K12) Eff.89.5%  
Lamps: 1 x Luxeon K12 (808.51lm@250mA)



Luminaire: LEDiL Oy CN12966\_LENINA-XW\_(Luxeon\_K16) Eff.85.6%  
Lamps: 1 x Luxeon\_K16 (1208.05lm@250mA)



cd/klm

— C0 - C180    — C90 - C270

$\eta = 86\%$

**NOTE: The typical divergence will be changed by different color, chip size and chip position tolerance. The typical total divergence is the full angle measured where the luminous intensity is half of the peak value.**